

# RAD-ISM-5800-ANT-OMNI-10-N - Antenna



5606762

<https://www.phoenixcontact.com/us/products/5606762>

Please be informed that the data shown in this PDF document is generated from our online catalog. Please find the complete data in the user documentation. Our general terms of use for downloads are valid.

Omnidirectional antenna, 5.8 GHz, gain: 12 dBi, polarization: linear, opening angle: h/v 360°/8.5°, degree of protection: IP65, connection: N (female), incl. mounting bracket and mast clips



## Your advantages

- For freely mobile applications
- For medium distances
- For multipoint or mesh connections

## Commercial data

Item number	5606762
Packing unit	1 pc
Note	Made to order (non-returnable)
Sales key	DN23
Product key	DNC6A5
GTIN	4046356684712
Weight per piece (including packing)	33.33 g
Weight per piece (excluding packing)	33.33 g
Customs tariff number	85291090
Country of origin	US

5606762

<https://www.phoenixcontact.com/us/products/5606762>

## Technical data

### Product properties

Product type	Antenna
Gain	12 dBi
Vertical beamwidth	8.5 °
Horizontal beamwidth	360 °
Polarization	Linear vertical

### Electrical properties

Frequency band	5.8 GHz
Frequency range	5.725 GHz ... 5.875 Hz
Voltage standing wave ratio VSWR in a 50 Ω system	≤ 2.00

### Connection data

#### Connection technology

Connection method	N (female)
Outside diameter	38 mm ... 60 mm (Mast)

### Dimensions

Height	419 mm
--------	--------

#### External dimensions

Outside diameter	38 mm ... 60 mm (Mast)
------------------	------------------------

### Material specifications

Material	Fiberglass-reinforced plastic
	V2A
	V2A

### Environmental and real-life conditions

#### Ambient conditions

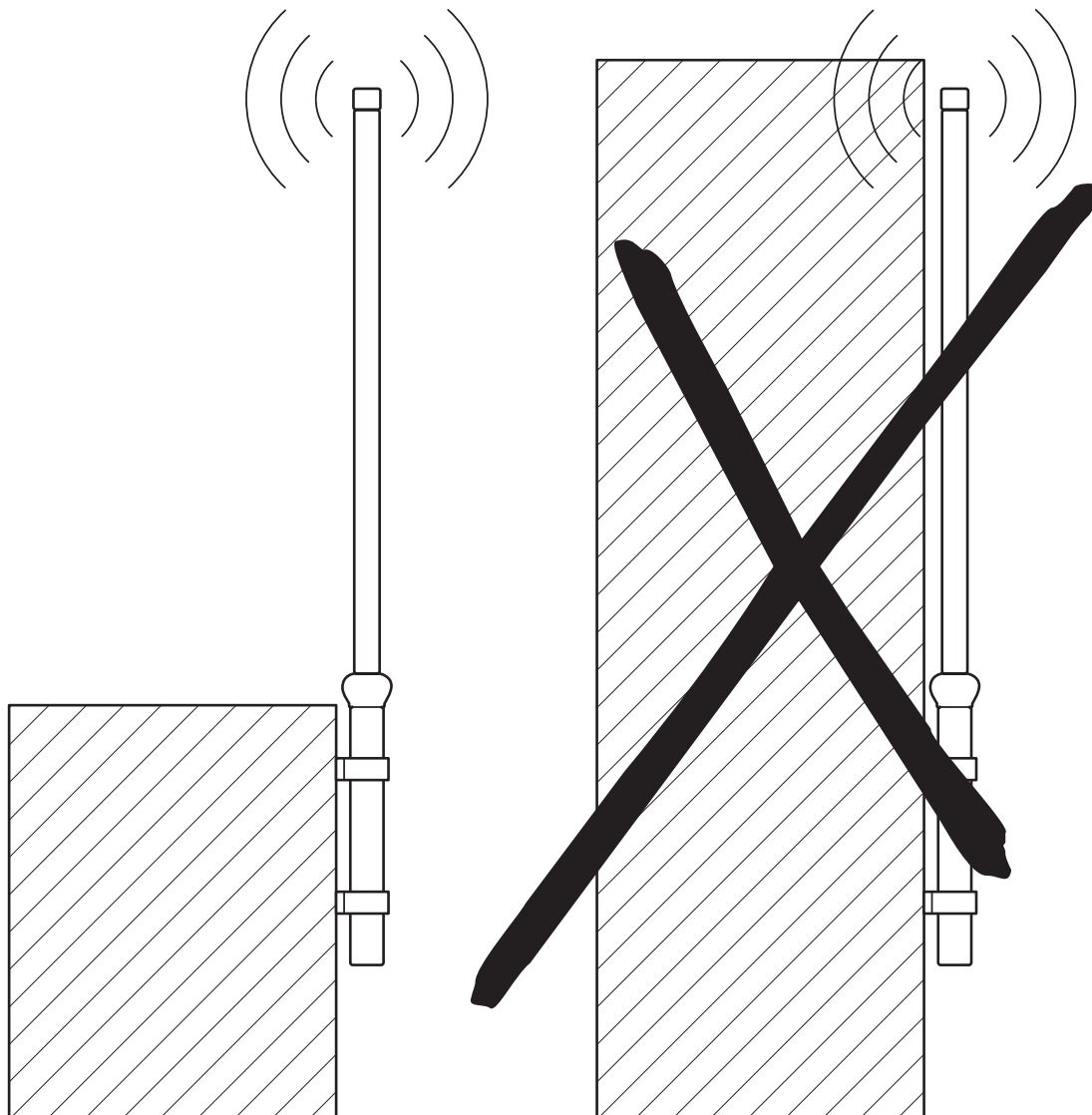
Degree of protection	IP65
Wind velocity	14.660495 km/h

### Mounting

Mounting type	Mast mounting
---------------	---------------

Drawings

Schematic diagram

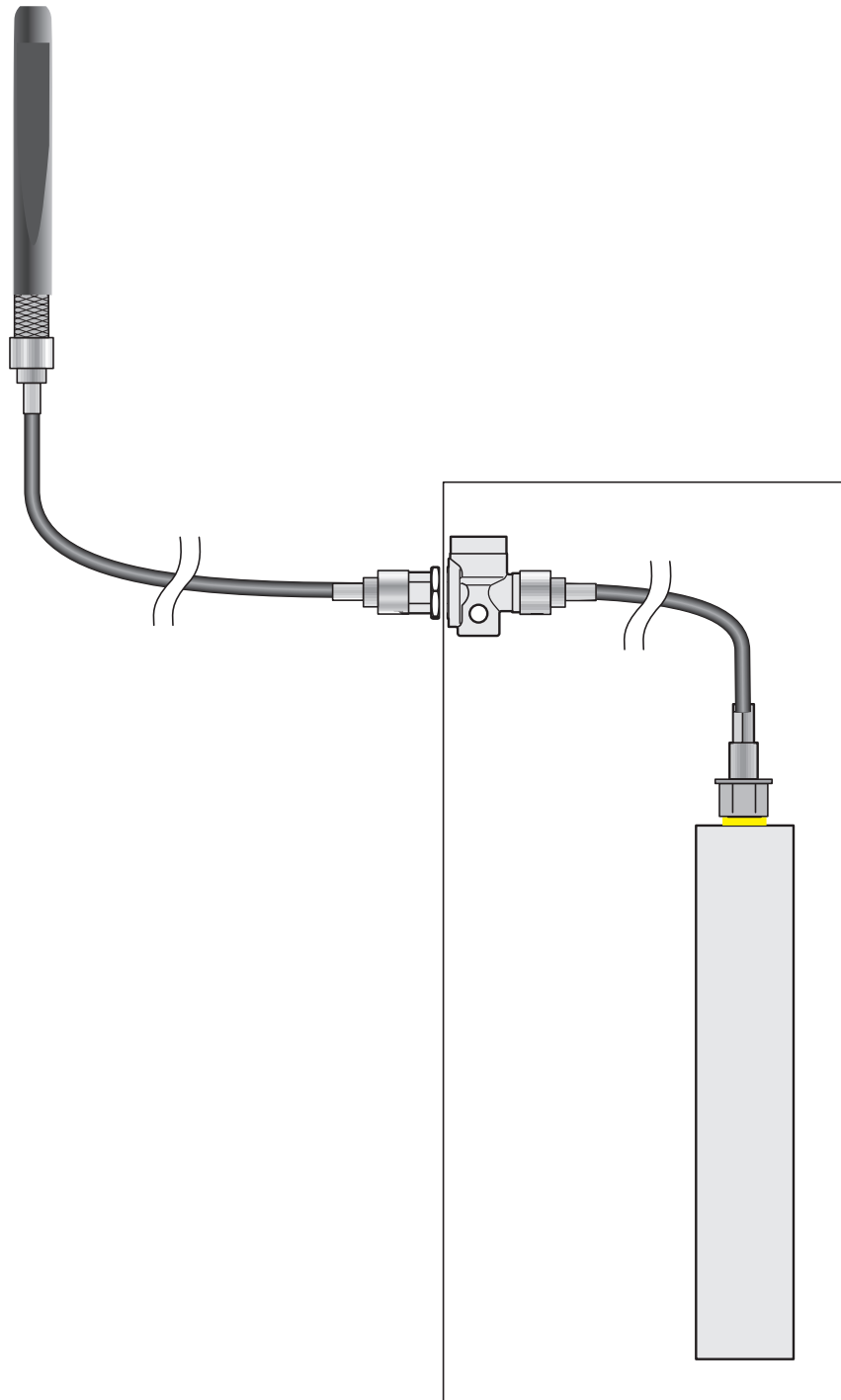


# RAD-ISM-5800-ANT-OMNI-10-N - Antenna

5606762

<https://www.phoenixcontact.com/us/products/5606762>

Schematic diagram



Installation example

# RAD-ISM-5800-ANT-OMNI-10-N - Antenna



5606762

<https://www.phoenixcontact.com/us/products/5606762>

## Environmental product compliance

### China RoHS

Environment friendly use period (EFUP)	EFUP-E
	No hazardous substances above the limits

### EU REACH SVHC

REACH candidate substance (CAS No.)	No substance above 0.1 wt%
-------------------------------------	----------------------------

Phoenix Contact 2026 © - all rights reserved  
<https://www.phoenixcontact.com>

Phoenix Contact USA  
586 Fulling Mill Road  
Middletown, PA 17057, United States  
(+717) 944-1300  
[info@phoenixcon.com](mailto:info@phoenixcon.com)