

5022643

<https://www.phoenixcontact.com/us/products/5022643>

Please be informed that the data shown in this PDF document is generated from our online catalog. Please find the complete data in the user documentation. Our general terms of use for downloads are valid.



Cover profile, for covering terminal strips, snaps onto cover profile carrier AP 3-TU, AP 3-TNS 35, can be marked with insert strip AP-ES. Cover profile carriers should be placed at the ends and at intervals of approx. 40 cm. Length: 1 m

## Commercial data

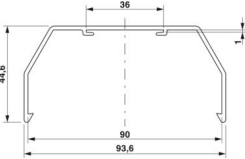
Item number	5022643
Packing unit	14 m
Minimum order quantity	1 m
Sales key	BE06
Product key	BE61ZX
GTIN	4017918095246
Weight per piece (including packing)	401.24 g
Weight per piece (excluding packing)	401.24 g
Customs tariff number	39162000
Country of origin	DE

## Technical data

### Product properties

Product type	Cover profile
--------------	---------------

### Dimensions

Dimensional drawing	
Width	93.5 mm
Height	1000 mm
Depth	44.5 mm
Length	1000 mm

### Material specifications

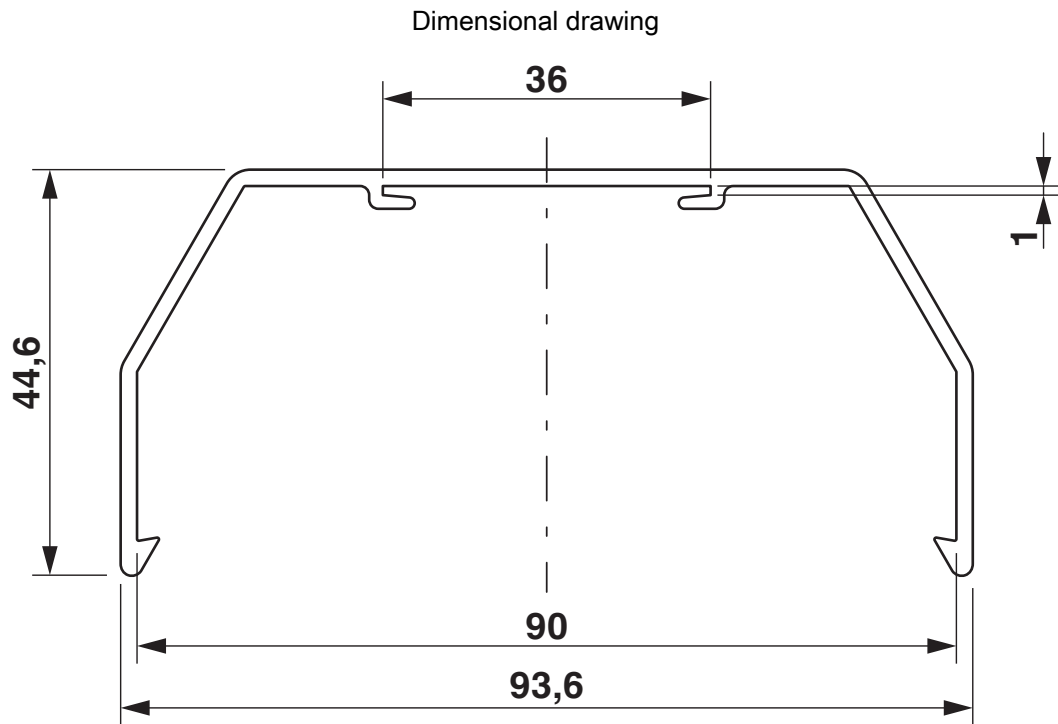
Color	transparent
Material	PVC
Flammability rating according to UL 94	V0

### Environmental and real-life conditions

#### Ambient conditions

Ambient temperature (operation)	-15 °C ... 65 °C
---------------------------------	------------------

Drawings



### Classifications

#### ECLASS

ECLASS-13.0	27141190
ECLASS-15.0	27141190

#### ETIM

ETIM 10.0	EC002848
-----------	----------

#### UNSPSC

UNSPSC 21.0	39121400
-------------	----------

## Environmental product compliance

### EU RoHS

Fulfills EU RoHS substance requirements	Yes, No exemptions
---	--------------------

### China RoHS

Environment friendly use period (EFUP)	EFUP-E
	No hazardous substances above the limits

### EU REACH SVHC

REACH candidate substance (CAS No.)	No substance above 0.1 wt%
-------------------------------------	----------------------------