

AP 2-TU - Cover profile carrier

5022630

<https://www.phoenixcontact.com/us/products/5022630>

Please be informed that the data shown in this PDF document is generated from our online catalog. Please find the complete data in the user documentation. Our general terms of use for downloads are valid.



Cover profile carrier for mounting on NS 32 or NS 35/7.5 DIN rail for attaching the cover profile AP 2.2 mm thick

Your advantages

- Large-surface labeling with AP-ES insert strips
- Cover profiles provide protection against unauthorized actuation of terminal strips

Commercial data

Item number	5022630
Packing unit	50 pc
Minimum order quantity	50 pc
Sales key	BE06
Product key	BE61ZX
GTIN	4017918095239
Weight per piece (including packing)	5.74 g
Weight per piece (excluding packing)	5.72 g
Customs tariff number	85389099
Country of origin	DE

AP 2-TU - Cover profile carrier

5022630

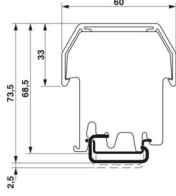
<https://www.phoenixcontact.com/us/products/5022630>

Technical data

Product properties

Product type	Cover profile carrier
--------------	-----------------------

Dimensions

Dimensional drawing	
Width	2.1 mm
Height	55.5 mm
Depth	68.5 mm
Length	55.5 mm
Material strength	2.00 mm

Material specifications

Color	gray (RAL 7042)
Material	PA
Flammability rating according to UL 94	V2

Environmental and real-life conditions

Ambient conditions

Ambient temperature (operation)	-60 °C ... 105 °C (max. short-term operating temperature RTI Elec.)
Ambient temperature (storage/transport)	-25 °C ... 60 °C (for a short time, not exceeding 24 h, -60 °C to +70 °C)
Ambient temperature (assembly)	-5 °C ... 70 °C
Ambient temperature (actuation)	-5 °C ... 70 °C
Permissible humidity (storage/transport)	30 % ... 70 %

AP 2-TU - Cover profile carrier

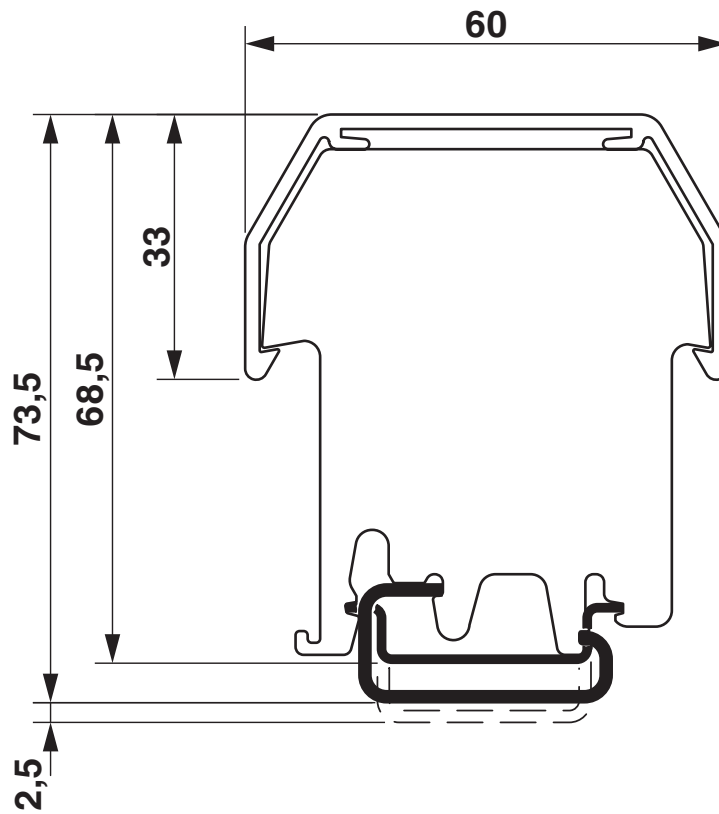
5022630

<https://www.phoenixcontact.com/us/products/5022630>



Drawings

Dimensional drawing



AP 2-TU - Cover profile carrier



5022630

<https://www.phoenixcontact.com/us/products/5022630>

Classifications

ECLASS

ECLASS-13.0	27141190
ECLASS-15.0	27250302

ETIM

ETIM 10.0	EC001041
-----------	----------

UNSPSC

UNSPSC 21.0	39121400
-------------	----------

AP 2-TU - Cover profile carrier



5022630

<https://www.phoenixcontact.com/us/products/5022630>

Environmental product compliance

EU RoHS

Fulfills EU RoHS substance requirements	Yes, No exemptions
-----------------------------------------	--------------------

China RoHS

Environment friendly use period (EFUP)	EFUP-E
	No hazardous substances above the limits

EU REACH SVHC

REACH candidate substance (CAS No.)	No substance above 0.1 wt%
-------------------------------------	----------------------------

EF3.1 Climate Change

CO2e kg	0.042 kg CO2e
---------	---------------

Phoenix Contact 2026 © - all rights reserved
<https://www.phoenixcontact.com>

Phoenix Contact USA
586 Fulling Mill Road
Middletown, PA 17057, United States
(+717) 944-1300
info@phoenixcon.com