

# RSCWE 6-3/6 - Test terminal strip



3969922

<https://www.phoenixcontact.com/us/products/3969922>

Please be informed that the data shown in this PDF document is generated from our online catalog. Please find the complete data in the user documentation. Our general terms of use for downloads are valid.



Test terminal strip, nom. voltage: 400 V, number of connections: 12, number of positions: 6, connection method: Ring cable lug, Rated cross section: 6 mm<sup>2</sup>, 1 level, mounting type: Panel mounting, color: gray

## Your advantages

- Cost-effective, thanks to the tailored, modular design and use of standardized CLIPLINE complete accessories
- Space saving, thanks to compact, modular test terminal strips
- The integrated, robust switch contact is designed for the most stringent demands, and the use of high-quality materials ensures the transmission of signal currents, even after multiple actuations
- Maximum safety with leading and automatic transformer short circuit

## Commercial data

Item number	3969922
Packing unit	1 pc
Minimum order quantity	1 pc
Sales key	BE06
Product key	BE6113
GTIN	4055626272627
Weight per piece (including packing)	317 g
Weight per piece (excluding packing)	99.99 g
Customs tariff number	85369010
Country of origin	PL

3969922

<https://www.phoenixcontact.com/us/products/3969922>

## Technical data

### Product properties

Product type	Test terminal strip
Product family	FAME 3
Number of positions	6
Pitch	8.2 mm
Number of connections	12
Number of rows	1
Potentials	6

### Insulation characteristics

Overvoltage category	III
----------------------	-----

### Electrical properties

Rated surge voltage	4 kV
Maximum power dissipation for nominal condition	1.31 W
Test surge voltage	5 kV

### Connection data

Number of connections per level	12
Nominal cross section	6 mm <sup>2</sup>

#### 1 level

Connection method	Ring cable lug
Screw thread	No 8 UNC
Tightening torque	1.5 ... 1.8 Nm
Internal cylindrical gage	A5
Connection in acc. with standard	IEC 60947-7-1
Conductor cross-section flexible	0.5 mm <sup>2</sup> ... 10 mm <sup>2</sup>
Conductor cross-section, flexible [AWG]	24 ... 8 (converted acc. to IEC)
2 conductors with same cross section, rigid	0.5 mm <sup>2</sup> ... 6 mm <sup>2</sup>
2 conductors with same cross section, flexible	0.5 mm <sup>2</sup> ... 6 mm <sup>2</sup>
Nominal cross section	6 mm <sup>2</sup>
Maximum load current	30 A (with 10 mm <sup>2</sup> conductor cross-section)
Nominal voltage	400 V AC/DC

#### Cable lug connection DIN 46234:1980-03

Connection in acc. with standard	DIN 46234:1980-03
Cross section	0.5 mm <sup>2</sup> ... 10 mm <sup>2</sup>
Cross section range AWG	(converted acc. to IEC)
Hole diameter	4.3 mm
Width	8 mm
Bolt diameter	4.1 mm
Connection in acc. with standard	DIN 46237:1970-07

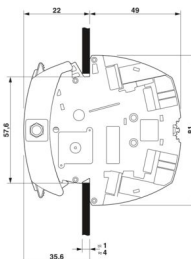
# RSCWE 6-3/6 - Test terminal strip

3969922

<https://www.phoenixcontact.com/us/products/3969922>

Cross section	0.5 mm <sup>2</sup> ... 10 mm <sup>2</sup>
Cross section range AWG	(converted acc. to IEC)
Hole diameter	4.3 mm
Width	8 mm
Bolt diameter	4.1 mm
Identification color of ring cable lugs : red	1 mm <sup>2</sup>
Identification color of ring cable lugs : blue	2.5 mm <sup>2</sup>
Identification color of ring cable lugs : yellow	6 mm <sup>2</sup>

## Dimensions

Dimensional drawing	
Width	81.5 mm
Height	81 mm
Depth	70.1 mm
Pitch	8.2 mm
Plate thickness	1 mm ... 4 mm

## Material specifications

Color	gray (RAL 7042)
Flammability rating according to UL 94	V0
Insulating material group	I
Insulating material	PA
Static insulating material application in cold	-60 °C
Temperature index of insulation material (DIN EN 60216-1 (VDE 0304-21))	125 °C
Relative insulation material temperature index (Elec., UL 746 B)	130 °C
Fire protection for rail vehicles (DIN EN 45545-2) R22	HL 1 - HL 3
Fire protection for rail vehicles (DIN EN 45545-2) R23	HL 1 - HL 3
Fire protection for rail vehicles (DIN EN 45545-2) R24	HL 1 - HL 3
Fire protection for rail vehicles (DIN EN 45545-2) R26	HL 1 - HL 3
Calorimetric heat release NFPA 130 (ASTM E 1354)	27,5 MJ/kg
Surface flammability NFPA 130 (ASTM E 162)	passed
Specific optical density of smoke NFPA 130 (ASTM E 662)	passed
Smoke gas toxicity NFPA 130 (SMP 800C)	passed

## Electrical tests

Surge voltage test

# RSCWE 6-3/6 - Test terminal strip



3969922

<https://www.phoenixcontact.com/us/products/3969922>

Test voltage setpoint	4.8 kV
Result	Test passed

## Temperature-rise test

Requirement temperature-rise test	Increase in temperature $\leq 45$ K
Result	Test passed
Short-time withstand current 4 mm <sup>2</sup>	300 A
	500 A
	150 A
	1250 A
Result	Test passed

## Power-frequency withstand voltage

Test voltage setpoint	1.89 kV
Result	Test passed

## Mechanical properties

### General

Terminal block mounting	0.8 Nm ... 1 Nm
-------------------------	-----------------

### Mechanical data

Open side panel	No
-----------------	----

## Mechanical tests

### Mechanical strength

Result	Test passed
--------	-------------

### Attachment on the carrier

Test force setpoint	5 N
Result	Test passed

## Environmental and real-life conditions

### Needle-flame test

Time of exposure	30 s
Result	Test passed

### Oscillation/broadband noise

Specification	DIN EN 50155 (VDE 0115-200):2008-03
Spectrum	Long life test category 2, bogie-mounted
Frequency	$f_1 = 5$ Hz to $f_2 = 250$ Hz
ASD level	6.12 (m/s <sup>2</sup> ) <sup>2</sup> /Hz
Acceleration	3.12g
Test duration per axis	5 h
Test directions	X-, Y- and Z-axis
Result	Test passed

# RSCWE 6-3/6 - Test terminal strip



3969922

<https://www.phoenixcontact.com/us/products/3969922>

## Shocks

Specification	DIN EN 50155 (VDE 0115-200):2008-03
Pulse shape	Half-sine
Acceleration	30g
Shock duration	18 ms
Number of shocks per direction	3
Test directions	X-, Y- and Z-axis (pos. and neg.)
Result	Test passed

## Ambient conditions

Ambient temperature (storage/transport)	-25 °C ... 60 °C (for a short time, not exceeding 24 h, -60 °C to +70 °C)
Ambient temperature (assembly)	-5 °C ... 70 °C
Ambient temperature (actuation)	-5 °C ... 70 °C
Permissible humidity (storage/transport)	30 % ... 70 %

## Standards and regulations

Connection in acc. with standard	IEC 60947-7-1
----------------------------------	---------------

## Mounting

Mounting type	Panel mounting
Terminal block mounting	0.8 Nm ... 1 Nm

# RSCWE 6-3/6 - Test terminal strip

3969922

<https://www.phoenixcontact.com/us/products/3969922>

## Drawings

Dimensional drawing



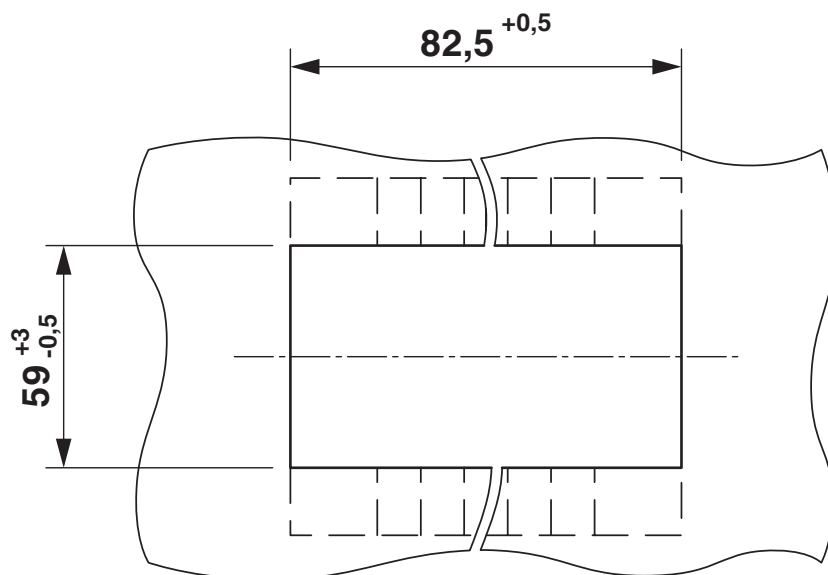
# RSCWE 6-3/6 - Test terminal strip

3969922

<https://www.phoenixcontact.com/us/products/3969922>



Dimensional drawing



# RSCWE 6-3/6 - Test terminal strip

3969922

<https://www.phoenixcontact.com/us/products/3969922>



Circuit diagram



# RSCWE 6-3/6 - Test terminal strip



3969922

<https://www.phoenixcontact.com/us/products/3969922>

## Approvals

To download certificates, visit the product detail page: <https://www.phoenixcontact.com/us/products/3969922>



**cULus Recognized**  
Approval ID: E60425



**CSA**  
Approval ID: 13631

	Nominal voltage $U_N$	Nominal current $I_N$	Cross section AWG	Cross section $\text{mm}^2$
B				
	600 V	31 A	20 - 8	-
C				
	600 V	31 A	20 - 8	-



**EAC**  
Approval ID: RU C-DE.BL08.B.00682



**cULus Recognized**  
Approval ID: E60425

# RSCWE 6-3/6 - Test terminal strip



3969922

<https://www.phoenixcontact.com/us/products/3969922>

## Classifications

### ECLASS

ECLASS-13.0	27250190
ECLASS-15.0	27250190

### ETIM

ETIM 10.0	EC002848
-----------	----------

### UNSPSC

UNSPSC 21.0	39121400
-------------	----------

# RSCWE 6-3/6 - Test terminal strip



3969922

<https://www.phoenixcontact.com/us/products/3969922>

## Environmental product compliance

### EU RoHS

Fulfills EU RoHS substance requirements	Yes, No exemptions
---	--------------------

### China RoHS

Environment friendly use period (EFUP)	EFUP-E
	No hazardous substances above the limits

### EU REACH SVHC

REACH candidate substance (CAS No.)	No substance above 0.1 wt%
-------------------------------------	----------------------------

Phoenix Contact 2026 © - all rights reserved  
<https://www.phoenixcontact.com>

Phoenix Contact USA  
586 Fulling Mill Road  
Middletown, PA 17057, United States  
(+717) 944-1300  
[info@phoenixcon.com](mailto:info@phoenixcon.com)