

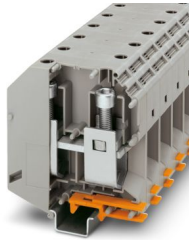
UKH 150 1500V - High-current terminal block



3247433

<https://www.phoenixcontact.com/us/products/3247433>

Please be informed that the data shown in this PDF document is generated from our online catalog. Please find the complete data in the user documentation. Our general terms of use for downloads are valid.



High-current terminal block, nom. voltage: 1500 V, nominal current: 309 A, number of connections: 2, connection method: Screw connection, Rated cross section: 150 mm², cross section: 35 mm² - 150 mm², mounting type: NS 35/15, NS 32, color: gray

Your advantages

- Reliable cable connection is ensured by three-point centering of the conductor in the prismatic sleeve base
- Screw locking by means of spring-loaded elements in the clamping part
- Low contact resistance of the contact surface due to ribbing

Commercial data

| | |
|--------------------------------------|---------------|
| Item number | 3247433 |
| Packing unit | 3 pc |
| Minimum order quantity | 3 pc |
| Product key | BE1311 |
| GTIN | 4055626132976 |
| Weight per piece (including packing) | 377.4 g |
| Weight per piece (excluding packing) | 377.4 g |
| Country of origin | IN |

UKH 150 1500V - High-current terminal block



3247433

<https://www.phoenixcontact.com/us/products/3247433>

Technical data

Notes

General

| | |
|------|---|
| Note | For a reliable contact of multi stranded conductors it is recommended to untwist multi stranded conductors. |
|------|---|

Product properties

| | |
|-----------------------|-----------------------------|
| Product type | High current terminal block |
| Number of connections | 2 |
| Number of rows | 1 |
| Potentials | 1 |

Insulation characteristics

| | |
|----------------------|-----|
| Overvoltage category | III |
| Degree of pollution | 3 |

Electrical properties

| | |
|---|--------|
| Rated surge voltage | 8 kV |
| Maximum power dissipation for nominal condition | 9.55 W |

Connection data

| | |
|---------------------------------|---------------------|
| Number of connections per level | 2 |
| Nominal cross section | 150 mm ² |

Level 1 above 1 below 1

| | |
|---|--|
| Connection method | Screw connection |
| Screw thread | M10 |
| Note | Screws with hexagonal socket |
| Tightening torque | 25 ... 30 Nm |
| Stripping length | 40 mm |
| Internal cylindrical gage | B14 |
| Connection in acc. with standard | IEC 60947-7-1 |
| Conductor cross-section rigid | 35 mm ² ... 150 mm ² |
| Cross section AWG | 1/0 ... 250 kcmil (converted acc. to IEC) |
| Conductor cross-section flexible | 50 mm ² ... 150 mm ² |
| Conductor cross-section, flexible [AWG] | 1/0 ... 250 kcmil (converted acc. to IEC) |
| Conductor cross-section flexible (ferrule without plastic sleeve) | 50 mm ² ... 150 mm ² |
| Flexible conductor cross-section (ferrule with plastic sleeve) | 50 mm ² ... 150 mm ² |
| Cross-section with insertion bridge, rigid | 150 mm ² |
| Cross-section with insertion bridge, flexible | 120 mm ² |
| 2 conductors with same cross section, rigid | 25 mm ² ... 50 mm ² |
| 2 conductors with same cross section, flexible | 35 mm ² ... 50 mm ² |
| 2 conductors with same cross section, flexible, with ferrule | 25 mm ² ... 50 mm ² |

UKH 150 1500V - High-current terminal block

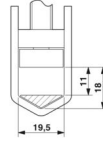


3247433

<https://www.phoenixcontact.com/us/products/3247433>

| | |
|------------------------|--|
| without plastic sleeve | |
| Nominal cross section | 150 mm ² |
| Nominal current | 309 A |
| Maximum load current | 309 A (with 150 mm ² conductor cross-section) |
| Nominal voltage | 1500 V DC 1000 V AC |
| Note | Note: Product releases, connection cross sections and notes on connecting aluminum cables can be found in the download area. |

Dimensions

| | |
|---------------------|--|
| Dimensional drawing |  |
| Width | 31 mm |
| Height | 100 mm |
| Depth | 107.3 mm |
| Depth on NS 32 | 116 mm |
| Depth on NS 35/15 | 118.5 mm |

Material specifications

| | |
|--|-----------------|
| Color | gray (RAL 7042) |
| Flammability rating according to UL 94 | V0 |
| Insulating material group | I |
| Insulating material | PA |
| Static insulating material application in cold | -60 °C |
| Relative insulation material temperature index (Elec., UL 746 B) | 130 °C |
| Fire protection for rail vehicles (DIN EN 45545-2) R22 | HL 1 - HL 3 |
| Fire protection for rail vehicles (DIN EN 45545-2) R23 | HL 1 - HL 3 |
| Fire protection for rail vehicles (DIN EN 45545-2) R24 | HL 1 - HL 3 |
| Fire protection for rail vehicles (DIN EN 45545-2) R26 | HL 1 - HL 3 |
| Surface flammability NFPA 130 (ASTM E 162) | passed |
| Specific optical density of smoke NFPA 130 (ASTM E 662) | passed |
| Smoke gas toxicity NFPA 130 (SMP 800C) | passed |

Electrical tests

Surge voltage test

| | |
|--------|-------------|
| Result | Test passed |
|--------|-------------|

Temperature-rise test

| | |
|--|--------------------------------|
| Requirement temperature-rise test | Increase in temperature ≤ 45 K |
| Result | Test passed |
| Short-time withstand current 150 mm ² | 18 kA |

| | |
|-----------------------------------|-------------|
| Result | Test passed |
| Power-frequency withstand voltage | |
| Test voltage setpoint | 3.82 kV |
| Result | Test passed |

Mechanical properties

Mechanical data

| | |
|-----------------|----|
| Open side panel | No |
|-----------------|----|

Mechanical tests

Mechanical strength

| | |
|--------|-------------|
| Result | Test passed |
|--------|-------------|

Attachment on the carrier

| | |
|-------------------------|-------------|
| DIN rail/fixing support | NS 32/NS 35 |
| Result | Test passed |

Test for conductor damage and slackening

| | |
|--------------------------------|-----------------------------|
| Rotation speed | 10 (+/- 2) rpm |
| Revolutions | 135 |
| Conductor cross-section/weight | 35 mm ² / 6.8 kg |
| | 50 mm ² / 9.5 kg |
| | 150 mm ² / 15 kg |
| Result | Test passed |

Environmental and real-life conditions

Needle-flame test

| | |
|------------------|-------------|
| Time of exposure | 30 s |
| Result | Test passed |

Oscillation/broadband noise

| | |
|------------------------|--|
| Specification | DIN EN 50155 (VDE 0115-200):2018-05 |
| Spectrum | Long life test category 2, bogie-mounted |
| Frequency | $f_1 = 5 \text{ Hz}$ to $f_2 = 250 \text{ Hz}$ |
| ASD level | 6.12 (m/s ²) ² /Hz |
| Acceleration | 3.12g |
| Test duration per axis | 5 h |
| Test directions | X-, Y- and Z-axis |
| Result | Test passed |

Shocks

| | |
|----------------|-----------|
| Pulse shape | Half-sine |
| Acceleration | 5g |
| Shock duration | 30 ms |

UKH 150 1500V - High-current terminal block



3247433

<https://www.phoenixcontact.com/us/products/3247433>

| | |
|--------------------------------|-----------------------------------|
| Number of shocks per direction | 3 |
| Test directions | X-, Y- and Z-axis (pos. and neg.) |
| Result | Test passed |

Ambient conditions

| | |
|--|--|
| Ambient temperature (operation) | -60 °C ... 110 °C (Operating temperature range incl. self-heating; for max. short-term operating temperature, see RTI Elec.) |
| Ambient temperature (storage/transport) | -25 °C ... 60 °C (for a short time, not exceeding 24 h, -60 °C to +70 °C) |
| Ambient temperature (assembly) | -5 °C ... 70 °C |
| Ambient temperature (actuation) | -5 °C ... 70 °C |
| Permissible humidity (operation) | 20 % ... 90 % |
| Permissible humidity (storage/transport) | 30 % ... 70 % |

Standards and regulations

| | |
|----------------------------------|---------------|
| Connection in acc. with standard | IEC 60947-7-1 |
|----------------------------------|---------------|

Mounting

| | |
|---------------|----------|
| Mounting type | NS 35/15 |
| | NS 32 |

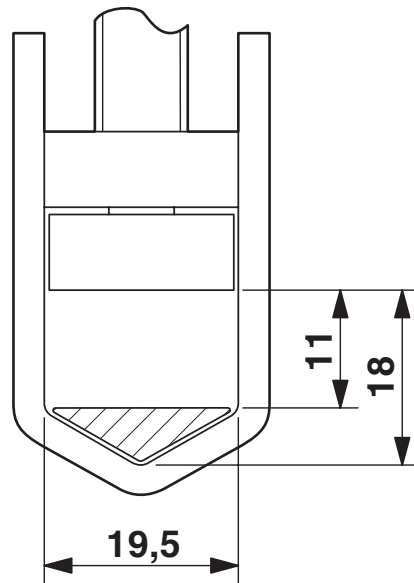
UKH 150 1500V - High-current terminal block

3247433

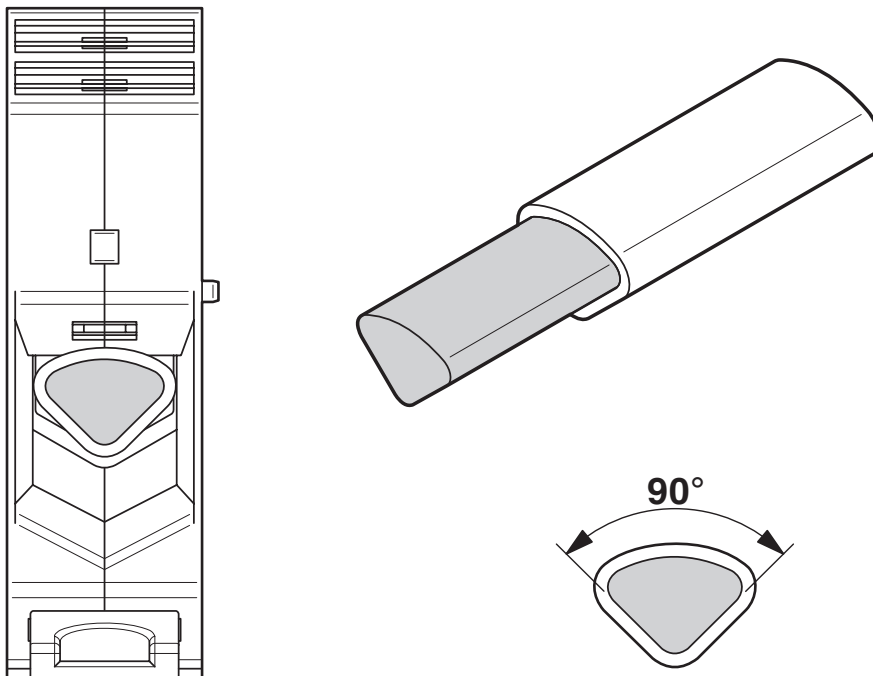
<https://www.phoenixcontact.com/us/products/3247433>

Drawings

Dimensional drawing



Schematic diagram



Connecting aluminum cables. Further notes can be found in the download area

UKH 150 1500V - High-current terminal block

3247433

<https://www.phoenixcontact.com/us/products/3247433>



Circuit diagram



UKH 150 1500V - High-current terminal block



3247433

<https://www.phoenixcontact.com/us/products/3247433>

Approvals

To download certificates, visit the product detail page: <https://www.phoenixcontact.com/us/products/3247433>



EAC

Approval ID: KZ7500651131219505

UKH 150 1500V - High-current terminal block



3247433

<https://www.phoenixcontact.com/us/products/3247433>

Classifications

ECLASS

| | |
|-------------|----------|
| ECLASS-13.0 | 27250101 |
| ECLASS-15.0 | 27250101 |

ETIM

| | |
|-----------|----------|
| ETIM 10.0 | EC000897 |
|-----------|----------|

UNSPSC

| | |
|-------------|----------|
| UNSPSC 21.0 | 39121400 |
|-------------|----------|

UKH 150 1500V - High-current terminal block



3247433

<https://www.phoenixcontact.com/us/products/3247433>

Environmental product compliance

EU RoHS

| | |
|---|--------------------|
| Fulfills EU RoHS substance requirements | Yes, No exemptions |
|---|--------------------|

China RoHS

| | |
|--|--|
| Environment friendly use period (EFUP) | EFUP-E |
| | No hazardous substances above the limits |

EU REACH SVHC

| | |
|-------------------------------------|----------------------------|
| REACH candidate substance (CAS No.) | No substance above 0.1 wt% |
|-------------------------------------|----------------------------|

Phoenix Contact 2026 © - all rights reserved
<https://www.phoenixcontact.com>

Phoenix Contact USA
586 Fulling Mill Road
Middletown, PA 17057, United States
(+717) 944-1300
info@phoenixcon.com