

TPS 3/20/5 (VPE100) - Test plug strip



3246587

<https://www.phoenixcontact.com/us/products/3246587>

Please be informed that the data shown in this PDF document is generated from our online catalog. Please find the complete data in the user documentation. Our general terms of use for downloads are valid.

Test plug strip, number of positions: 1, color: silver-colored



Your advantages

- All test sockets are screwed into the bridge shaft

Commercial data

Item number	3246587
Packing unit	100 pc
Minimum order quantity	1 pc
Product key	BE1Z3X
GTIN	4055626057019
Weight per piece (including packing)	1.375 g
Weight per piece (excluding packing)	1.35 g
Country of origin	DE

TPS 3/20/5 (VPE100) - Test plug strip

3246587

<https://www.phoenixcontact.com/us/products/3246587>

Technical data

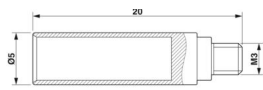
Product properties

Product type	Test socket
Number of positions	1

Connection data

Connection method	Plug-in connection
-------------------	--------------------

Dimensions

Dimensional drawing	
Width	5 mm
Diameter	5 mm
Pin diameter	5 mm

Material specifications

Color	silver-colored
Material	silver-plated brass
Flammability rating according to UL 94	V0
Contact material	Silver-plated brass

Environmental and real-life conditions

Ambient conditions

Ambient temperature (operation)	-60 °C ... 85 °C
Ambient temperature (storage/transport)	-25 °C ... 55 °C (for a short time, not exceeding 24 h, -60 °C to +70 °C)
Ambient temperature (assembly)	-5 °C ... 70 °C
Ambient temperature (actuation)	-5 °C ... 70 °C
Permissible humidity (storage/transport)	30 % ... 70 %

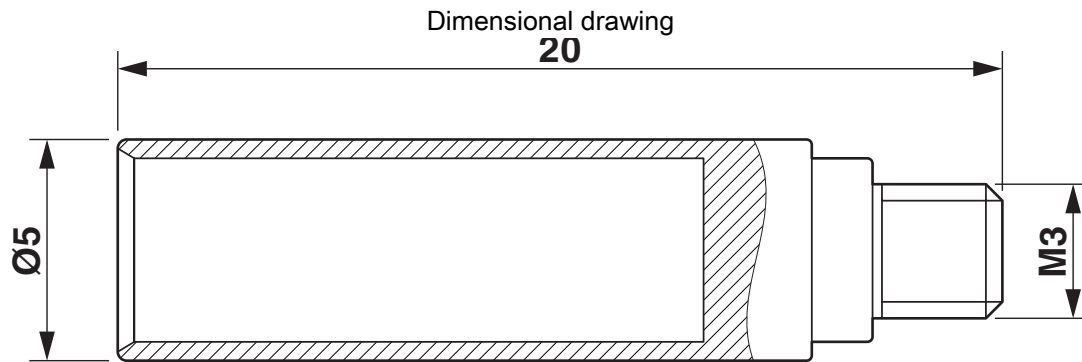
TPS 3/20/5 (VPE100) - Test plug strip

3246587

<https://www.phoenixcontact.com/us/products/3246587>



Drawings



TPS 3/20/5 (VPE100) - Test plug strip



3246587

<https://www.phoenixcontact.com/us/products/3246587>

Classifications

UNSPSC

UNSPSC 21.0	20122000
-------------	----------

TPS 3/20/5 (VPE100) - Test plug strip



3246587

<https://www.phoenixcontact.com/us/products/3246587>

Environmental product compliance

EU RoHS

Fulfills EU RoHS substance requirements	Yes
Exemption	6(c)

China RoHS

Environment friendly use period (EFUP)	EFUP-E
	No hazardous substances above the limits

EU REACH SVHC

REACH candidate substance (CAS No.)	Lead(CAS: 7439-92-1)
-------------------------------------	----------------------

Phoenix Contact 2026 © - all rights reserved

<https://www.phoenixcontact.com>

Phoenix Contact USA
586 Fulling Mill Road
Middletown, PA 17057, United States
(+717) 944-1300
info@phoenixcon.com