

# C-PCEI 6/2 - Cable lug

3241217

<https://www.phoenixcontact.com/us/products/3241217>

Please be informed that the data shown in this PDF document is generated from our online catalog. Please find the complete data in the user documentation. Our general terms of use for downloads are valid.



Pin cable lug, yellow, 4 - 6 mm<sup>2</sup>, L1 = 12 mm, with copper sleeve incorporated, for insulation crimp

## Your advantages

- "Easy Entry" for easy and reliable conductor entry
- Halogen-free
- Electrogalvanized
- The mechanical load capacity of the connection is significantly increased by the additionally applied copper sleeve (insulation crimp)

## Commercial data

Item number	3241217
Packing unit	100 pc
Minimum order quantity	100 pc
Sales key	BH34
Product key	BH3461
GTIN	4046356826228
Weight per piece (including packing)	2.272 g
Weight per piece (excluding packing)	2.272 g
Customs tariff number	74152900
Country of origin	TW

# C-PCEI 6/2 - Cable lug

3241217

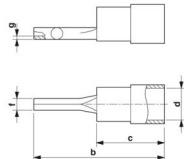
<https://www.phoenixcontact.com/us/products/3241217>

## Technical data

### Product properties

Product type	Connector
Product property	Halogen-free
	With "Easy Entry" system
	Brazed
	PA-insulated

### Dimensions

Dimensional drawing	
Sleeve length	23.5 mm
Length of the insulating material sleeve	13 mm
Length contact range	10.5 mm
Min. material thickness	0.8 mm
Inner dimensions of the insulating collar	6.5 mm

### Internal dimensions

Internal diameter	2.8 mm
-------------------	--------

### Material specifications

Color	yellow (RAL 1018)
Material	Copper
Flammability rating according to UL 94	V2
Coating	tin-plated
Insulating material	PA
Components	halogen-free

### Mechanical properties

#### Technical data

Sleeve length	23.5 mm
---------------	---------

### Environmental and real-life conditions

#### Ambient conditions

Ambient temperature (operation)	-20 °C ... 105 °C
---------------------------------	-------------------

# C-PCEI 6/2 - Cable lug

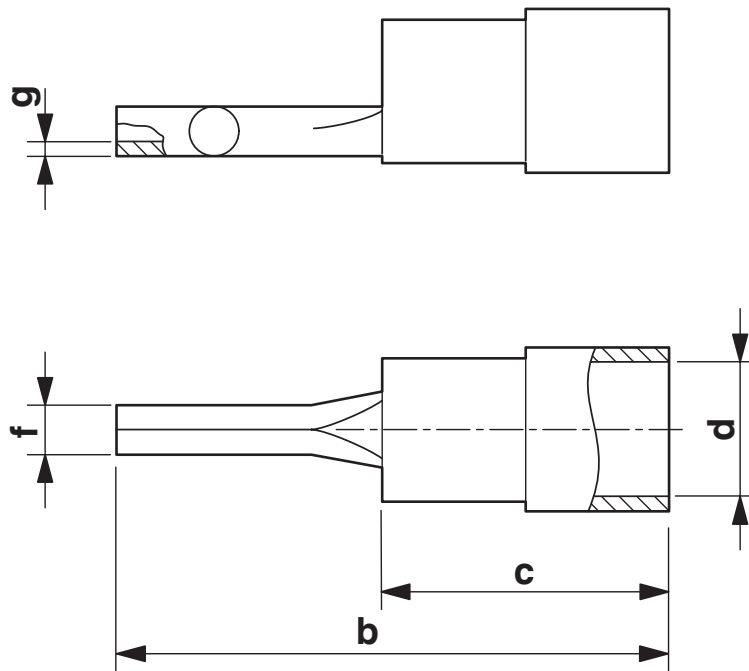
3241217

<https://www.phoenixcontact.com/us/products/3241217>



## Drawings

Dimensional drawing



# C-PCEI 6/2 - Cable lug



3241217

<https://www.phoenixcontact.com/us/products/3241217>

## Classifications

### ECLASS

ECLASS-13.0	27400204
ECLASS-15.0	27400204

### ETIM

ETIM 10.0	EC001052
-----------	----------

### UNSPSC

UNSPSC 21.0	27121700
-------------	----------

# C-PCEI 6/2 - Cable lug



3241217

<https://www.phoenixcontact.com/us/products/3241217>

## Environmental product compliance

### EU RoHS

Fulfills EU RoHS substance requirements	Yes, No exemptions
---	--------------------

### China RoHS

Environment friendly use period (EFUP)	EFUP-E
	No hazardous substances above the limits

### EU REACH SVHC

REACH candidate substance (CAS No.)	No substance above 0.1 wt%
-------------------------------------	----------------------------

### EF3.1 Climate Change

CO2e kg	0.04 kg CO2e
---------	--------------

Phoenix Contact 2026 © - all rights reserved  
<https://www.phoenixcontact.com>

Phoenix Contact USA  
586 Fulling Mill Road  
Middletown, PA 17057, United States  
(+717) 944-1300  
[info@phoenixcon.com](mailto:info@phoenixcon.com)