

C-RCEI 2,5/M8 - Ring cable lug

3241210

<https://www.phoenixcontact.com/us/products/3241210>

Please be informed that the data shown in this PDF document is generated from our online catalog. Please find the complete data in the user documentation. Our general terms of use for downloads are valid.

Ring cable lug, blue, 1.5 ... 2.5 mm², M8, with copper sleeve incorporated, for insulation crimp



Your advantages

- The sleeves are conically tapered to facilitate easy and correct insertion of the conductor
- The mechanical load capacity of the connection is significantly increased by the additionally applied copper sleeve (insulation crimp)

Commercial data

| | |
|--------------------------------------|---------------|
| Item number | 3241210 |
| Packing unit | 100 pc |
| Minimum order quantity | 100 pc |
| Sales key | BH34 |
| Product key | BH3421 |
| GTIN | 4046356826150 |
| Weight per piece (including packing) | 1.374 g |
| Weight per piece (excluding packing) | 1.374 g |
| Customs tariff number | 85369010 |
| Country of origin | TW |

C-RCEI 2,5/M8 - Ring cable lug

3241210

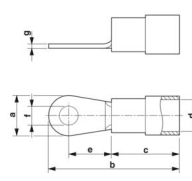
<https://www.phoenixcontact.com/us/products/3241210>

Technical data

Product properties

| | |
|------------------|-------------------------|
| Product type | Connector |
| Product property | Halogen-free |
| | Conical conductor entry |
| | Brazed |
| | PA-insulated |

Dimensions

| | |
|--|--|
| Dimensional drawing |  |
| Width | 12 mm |
| Sleeve length | 28 mm |
| Length of the insulating material sleeve | 11 mm |
| Distance from the center to the insulating material sleeve | 11 mm |
| Min. material thickness | 0.8 mm |
| Inner dimensions of the insulating collar | 4.5 mm |

Internal dimensions

| | |
|-------------------|--------|
| Internal diameter | 8.4 mm |
|-------------------|--------|

Material specifications

| | |
|--|-----------------|
| Color | blue (RAL 5015) |
| Material | Copper |
| Flammability rating according to UL 94 | V2 |
| Coating | tin-plated |
| Insulating material | PA |
| Components | halogen-free |

Mechanical properties

Technical data

| | |
|---------------|-------|
| Sleeve length | 28 mm |
|---------------|-------|

Environmental and real-life conditions

Ambient conditions

| | |
|---|---|
| Optimum ambient temperature (storage/transport) | 20.00 °C 50.00 % Humidity (RH), store inside sealed original packaging. Avoid direct sunlight and heat. |
| Ambient temperature (operation) | -20 °C ... 105 °C |
| Ambient temperature (assembly) | -20 °C ... 100 °C |

C-RCEI 2,5/M8 - Ring cable lug

3241210

<https://www.phoenixcontact.com/us/products/3241210>



| | |
|------------------------|--------|
| Short-term temperature | 100 °C |
|------------------------|--------|

C-RCEI 2,5/M8 - Ring cable lug

3241210

<https://www.phoenixcontact.com/us/products/3241210>



Drawings

Dimensional drawing



C-RCEI 2,5/M8 - Ring cable lug



3241210

<https://www.phoenixcontact.com/us/products/3241210>

Classifications

ECLASS

| | |
|-------------|----------|
| ECLASS-13.0 | 27400204 |
| ECLASS-15.0 | 27400204 |

ETIM

| | |
|-----------|----------|
| ETIM 10.0 | EC001052 |
|-----------|----------|

UNSPSC

| | |
|-------------|----------|
| UNSPSC 21.0 | 27121700 |
|-------------|----------|

C-RCEI 2,5/M8 - Ring cable lug



3241210

<https://www.phoenixcontact.com/us/products/3241210>

Environmental product compliance

EU RoHS

| | |
|---|--------------------|
| Fulfills EU RoHS substance requirements | Yes, No exemptions |
|---|--------------------|

China RoHS

| | |
|--|--|
| Environment friendly use period (EFUP) | EFUP-E |
| | No hazardous substances above the limits |

EU REACH SVHC

| | |
|-------------------------------------|----------------------------|
| REACH candidate substance (CAS No.) | No substance above 0.1 wt% |
|-------------------------------------|----------------------------|

EF3.1 Climate Change

| | |
|---------|---------------|
| CO2e kg | 0.029 kg CO2e |
|---------|---------------|

Phoenix Contact 2026 © - all rights reserved
<https://www.phoenixcontact.com>

Phoenix Contact USA
586 Fulling Mill Road
Middletown, PA 17057, United States
(+717) 944-1300
info@phoenixcon.com