

C-BCI 6/4,6 - Cable lug

3240570

<https://www.phoenixcontact.com/us/products/3240570>



Please be informed that the data shown in this PDF document is generated from our online catalog. Please find the complete data in the user documentation. Our general terms of use for downloads are valid.



Flat pin cable lug, with tab, soldered neck, yellow, 4 ... 6 mm², pin width: 4.6 mm, easy conductor entry with Easy-Entry, for horizontal and vertical crimping with CRIMPFOX-RCI 6

Your advantages

- "Easy Entry" for easy and reliable conductor entry
- Halogen-free
- Electrogalvanized

Commercial data

| | |
|--------------------------------------|---------------|
| Item number | 3240570 |
| Packing unit | 50 pc |
| Minimum order quantity | 50 pc |
| Sales key | BH34 |
| Product key | BH3461 |
| GTIN | 4046356563758 |
| Weight per piece (including packing) | 1.88 g |
| Weight per piece (excluding packing) | 1.88 g |
| Customs tariff number | 85369010 |
| Country of origin | TW |

C-BCI 6/4,6 - Cable lug

3240570

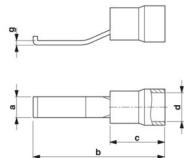
<https://www.phoenixcontact.com/us/products/3240570>

Technical data

Product properties

| | |
|------------------|--------------------------|
| Product type | Connector |
| Product property | Halogen-free |
| | With "Easy Entry" system |
| | Brazed |
| | PA-insulated |

Dimensions

| | |
|---|--|
| Dimensional drawing |  |
| Width | 4.6 mm |
| Sleeve length | 32 mm |
| Length of the insulating material sleeve | 14 mm |
| Length contact range | 18 mm |
| Maximum stripping length | 9 mm |
| Min. material thickness | 1 mm |
| Inner dimensions of the insulating collar | 6.5 mm |

Material specifications

| | |
|--|-------------------|
| Color | yellow (RAL 1018) |
| Material | Copper |
| Flammability rating according to UL 94 | V2 |
| Coating | tin-plated |
| Insulating material | PA |
| Components | halogen-free |

Mechanical properties

Technical data

| | |
|---------------|-------|
| Sleeve length | 32 mm |
|---------------|-------|

Environmental and real-life conditions

Ambient conditions

| | |
|---------------------------------|-------------------|
| Ambient temperature (operation) | -20 °C ... 105 °C |
| Permanent temperature | 105 °C |
| Short-term temperature | 120 °C |

C-BCI 6/4,6 - Cable lug

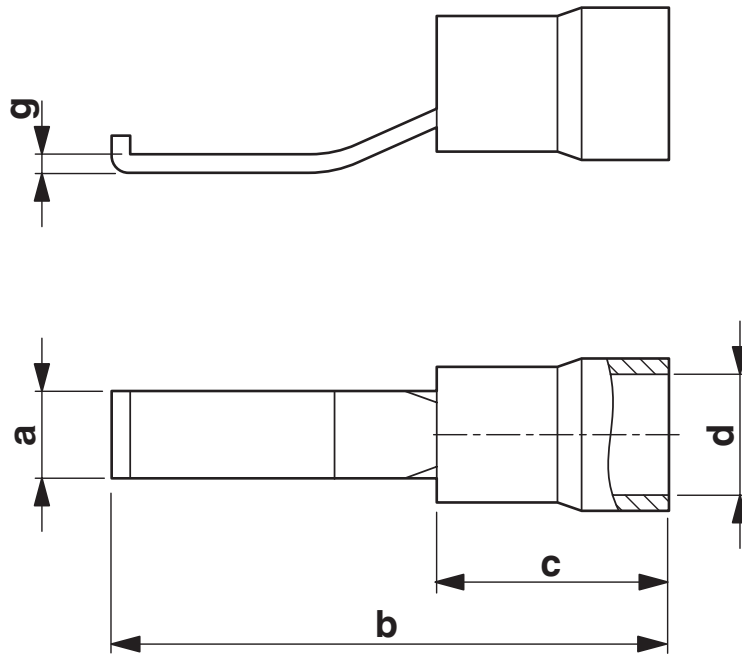
3240570

<https://www.phoenixcontact.com/us/products/3240570>



Drawings

Dimensional drawing



C-BCI 6/4,6 - Cable lug

3240570

<https://www.phoenixcontact.com/us/products/3240570>



Classifications

ECLASS

| | |
|-------------|----------|
| ECLASS-13.0 | 27400204 |
| ECLASS-15.0 | 27400204 |

ETIM

| | |
|-----------|----------|
| ETIM 10.0 | EC001052 |
|-----------|----------|

UNSPSC

| | |
|-------------|----------|
| UNSPSC 21.0 | 27121700 |
|-------------|----------|

C-BCI 6/4,6 - Cable lug



3240570

<https://www.phoenixcontact.com/us/products/3240570>

Environmental product compliance

EU RoHS

| | |
|---|--------------------|
| Fulfills EU RoHS substance requirements | Yes, No exemptions |
|---|--------------------|

China RoHS

| | |
|--|--|
| Environment friendly use period (EFUP) | EFUP-E |
| | No hazardous substances above the limits |

EU REACH SVHC

| | |
|-------------------------------------|----------------------------|
| REACH candidate substance (CAS No.) | No substance above 0.1 wt% |
|-------------------------------------|----------------------------|

Phoenix Contact 2026 © - all rights reserved
<https://www.phoenixcontact.com>

Phoenix Contact USA
586 Fulling Mill Road
Middletown, PA 17057, United States
(+717) 944-1300
info@phoenixcon.com