

C-SCFMI 1,5/6,3X0,8 - Connector

3240529

<https://www.phoenixcontact.com/us/products/3240529>

Please be informed that the data shown in this PDF document is generated from our online catalog. Please find the complete data in the user documentation. Our general terms of use for downloads are valid.



Flat plug distributor, isolated, red, 0.5 - 1.5 mm², for plug and sleeve 6.3 x 0.8 mm

Your advantages

- Hard-soldered crimping zone for maximum conductor pull-out forces in connection with CRIMPFOX RCI... pliers
- Easy and reliable conductor entry thanks to 'EASY ENTRY'
- Halogen-free
- Electrogalvanized

Commercial data

| | |
|--------------------------------------|---------------|
| Item number | 3240529 |
| Packing unit | 50 pc |
| Minimum order quantity | 50 pc |
| Sales key | BH34 |
| Product key | BH3451 |
| GTIN | 4046356527996 |
| Weight per piece (including packing) | 1.403 g |
| Weight per piece (excluding packing) | 1.403 g |
| Customs tariff number | 85366990 |
| Country of origin | CN |

C-SCFMI 1,5/6,3X0,8 - Connector

3240529

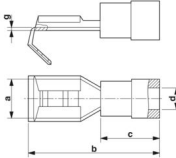
<https://www.phoenixcontact.com/us/products/3240529>

Technical data

Product properties

| | |
|------------------|---|
| Product type | Connector |
| Product property | Halogen-free |
| | With "Easy Entry" (conical insertion area) |
| | Brazed |
| | PA-insulated |
| | Tin-plated |
| | Temperature range: -20°C ... +105°C |
| | Flammability rating V2 in accordance with UL 94 |

Dimensions

| | |
|---|---|
| Dimensional drawing |  |
| Width | 6.3 mm |
| Sleeve length | 22.5 mm |
| Length of the insulating material sleeve | 10.5 mm |
| Maximum stripping length | 7 mm |
| Min. material thickness | 0.4 mm |
| Inner dimensions of the insulating collar | 41 mm |

Material specifications

| | |
|--|-------------------|
| Color | red (RAL 3001) |
| Material | Brass |
| Flammability rating according to UL 94 | V2 |
| Coating | electrogalvanized |
| Insulating material | PA |
| Components | halogen-free |

Mechanical properties

Technical data

| | |
|---------------|---------|
| Sleeve length | 22.5 mm |
|---------------|---------|

Environmental and real-life conditions

Ambient conditions

| | |
|---------------------------------|-------------------|
| Ambient temperature (operation) | -20 °C ... 105 °C |
| Permanent temperature | 105 °C |
| Short-term temperature | 120 °C |

C-SCFMI 1,5/6,3X0,8 - Connector

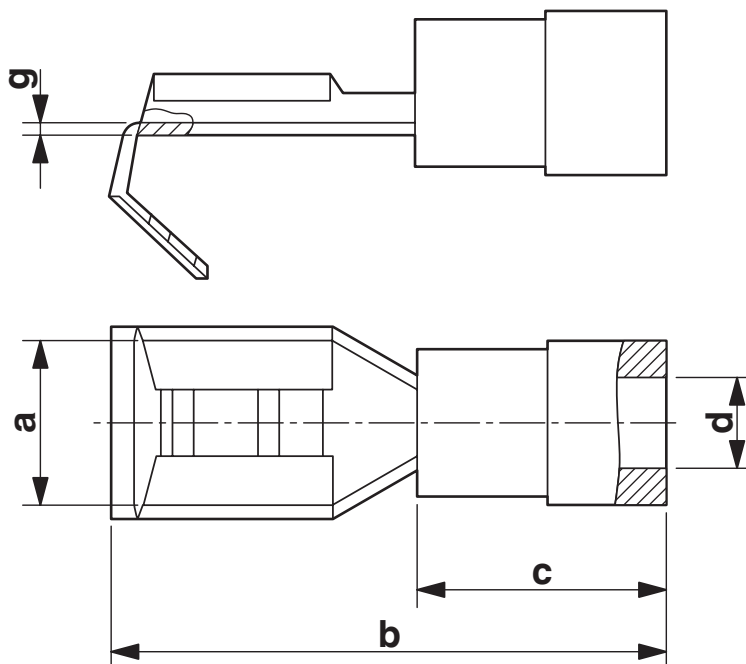
3240529

<https://www.phoenixcontact.com/us/products/3240529>



Drawings

Dimensional drawing



C-SCFMI 1,5/6,3X0,8 - Connector



3240529

<https://www.phoenixcontact.com/us/products/3240529>

Classifications

ECLASS

| | |
|-------------|----------|
| ECLASS-13.0 | 27400204 |
| ECLASS-15.0 | 27400204 |

ETIM

| | |
|-----------|----------|
| ETIM 10.0 | EC001052 |
|-----------|----------|

UNSPSC

| | |
|-------------|----------|
| UNSPSC 21.0 | 27121700 |
|-------------|----------|

C-SCFMI 1,5/6,3X0,8 - Connector



3240529

<https://www.phoenixcontact.com/us/products/3240529>

Environmental product compliance

EU RoHS

| | |
|---|--------------------|
| Fulfills EU RoHS substance requirements | Yes, No exemptions |
|---|--------------------|

China RoHS

| | |
|--|--|
| Environment friendly use period (EFUP) | EFUP-E |
| | No hazardous substances above the limits |

EU REACH SVHC

| | |
|-------------------------------------|----------------------------|
| REACH candidate substance (CAS No.) | No substance above 0.1 wt% |
|-------------------------------------|----------------------------|

EF3.1 Climate Change

| | |
|---------|--------------|
| CO2e kg | 0.02 kg CO2e |
|---------|--------------|

Phoenix Contact 2026 © - all rights reserved
<https://www.phoenixcontact.com>

Phoenix Contact USA
586 Fulling Mill Road
Middletown, PA 17057, United States
(+717) 944-1300
info@phoenixcon.com