

RVT-PA 4 - Fastening clip

3240498

<https://www.phoenixcontact.com/us/products/3240498>

Please be informed that the data shown in this PDF document is generated from our online catalog. Please find the complete data in the user documentation. Our general terms of use for downloads are valid.

Plastic body-bound rivet, for hole diameter of 4 mm and a material thickness of 1.5 ... 6 mm



Commercial data

Item number	3240498
Packing unit	100 pc
Minimum order quantity	100 pc
Sales key	BH34
Product key	BH34A2
GTIN	4046356520348
Weight per piece (including packing)	0.183 g
Weight per piece (excluding packing)	0.154 g
Customs tariff number	39269097
Country of origin	DE

RVT-PA 4 - Fastening clip

3240498

<https://www.phoenixcontact.com/us/products/3240498>



Technical data

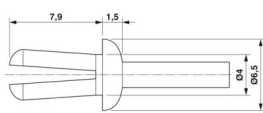
Notes

Note on application	For mounting, use the UNIFOX-PVR P 4 rivet setting tool
---------------------	---

Product properties

Product type	Filler plug
--------------	-------------

Dimensions

Dimensional drawing	
Diameter	4 mm
Hole diameter	4 mm
Min. material thickness	6 mm
Max. material thickness	1.5 mm

Material specifications

Color	white (RAL 9010)
Material	Nylon

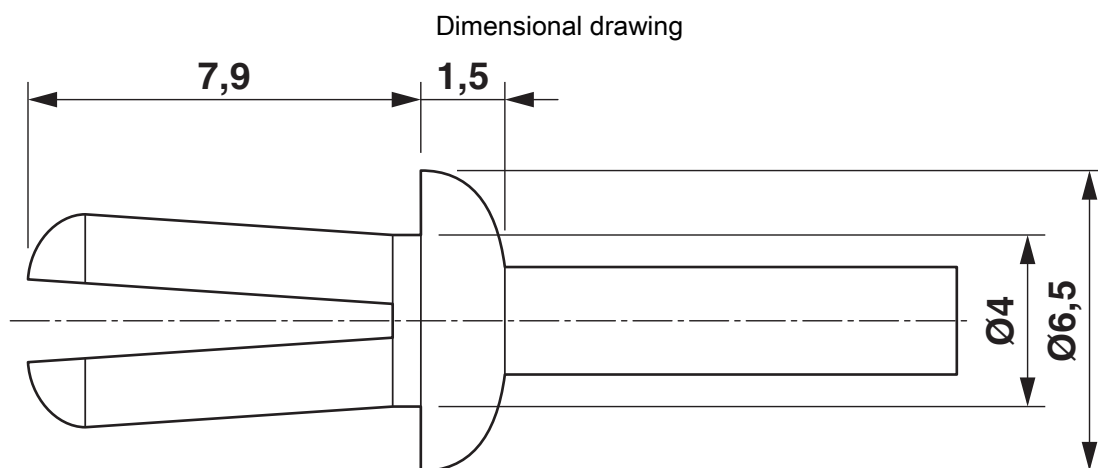
RVT-PA 4 - Fastening clip

3240498

<https://www.phoenixcontact.com/us/products/3240498>



Drawings



RVT-PA 4 - Fastening clip

3240498

<https://www.phoenixcontact.com/us/products/3240498>



Classifications

ECLASS

ECLASS-13.0	27400766
ECLASS-15.0	27400766

ETIM

ETIM 10.0	EC002377
-----------	----------

UNSPSC

UNSPSC 21.0	31162200
-------------	----------

RVT-PA 4 - Fastening clip



3240498

<https://www.phoenixcontact.com/us/products/3240498>

Environmental product compliance

EU RoHS

Fulfills EU RoHS substance requirements	Yes, No exemptions
---	--------------------

EU REACH SVHC

REACH candidate substance (CAS No.)	No substance above 0.1 wt%
-------------------------------------	----------------------------

EF3.1 Climate Change

CO2e kg	0.009 kg CO2e
---------	---------------

Phoenix Contact 2026 © - all rights reserved
<https://www.phoenixcontact.com>

Phoenix Contact USA
586 Fulling Mill Road
Middletown, PA 17057, United States
(+717) 944-1300
info@phoenixcon.com