

# AH-ME 200X150X78 - Covering hood

3240268

<https://www.phoenixcontact.com/us/products/3240268>

Please be informed that the data shown in this PDF document is generated from our online catalog. Please find the complete data in the user documentation. Our general terms of use for downloads are valid.

**Cover**, for the contact- and dust-protected encapsulation of the components



## Your advantages

- The cover can be securely snapped onto the corresponding E/NS 35-N-APH end brackets and sealed as an option
- Cover profiles provide protection against unauthorized actuation of terminal strips
- This profile has been specially adapted to the shape of the test disconnect terminal blocks
- The AH-ME cover, which is enclosed on all sides, is snapped onto the end brackets and can be sealed as an option

## Commercial data

Item number	3240268
Packing unit	5 pc
Minimum order quantity	5 pc
Sales key	BE06
Product key	BE61ZX
GTIN	4055626284484
Weight per piece (including packing)	271.2 g
Weight per piece (excluding packing)	271.2 g
Customs tariff number	85389099
Country of origin	DE

# AH-ME 200X150X78 - Covering hood

3240268

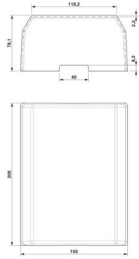
<https://www.phoenixcontact.com/us/products/3240268>

## Technical data

### Product properties

Product type	Cover profile
--------------	---------------

### Dimensions

Dimensional drawing	
Width	150 mm
Height	200 mm
Depth	78 mm
Length	200 mm

### Material specifications

Color	transparent
Material	PC
Flammability rating according to UL 94	V0
Relative insulation material temperature index (Elec., UL 746 B)	125 °C

### Environmental and real-life conditions

#### Ambient conditions

Ambient temperature (operation)	-60 °C ... 105 °C (max. short-term operating temperature RTI Elec.)
Ambient temperature (storage/transport)	-25 °C ... 60 °C (for a short time, not exceeding 24 h, -60 °C to +70 °C)
Ambient temperature (assembly)	-5 °C ... 70 °C
Ambient temperature (actuation)	-5 °C ... 70 °C
Permissible humidity (storage/transport)	30 % ... 70 %

# AH-ME 200X150X78 - Covering hood

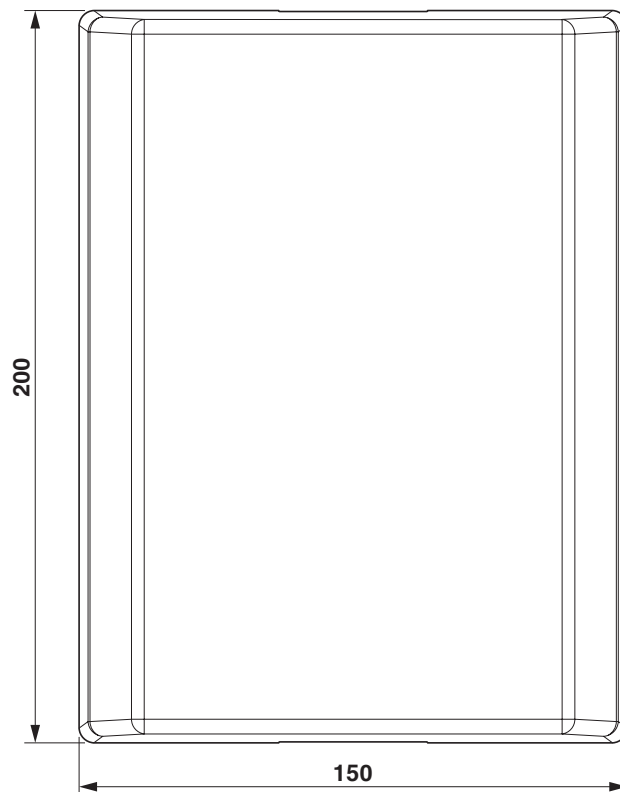
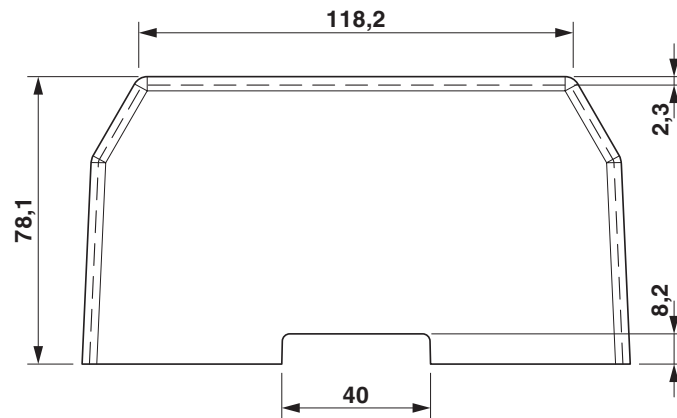
3240268

<https://www.phoenixcontact.com/us/products/3240268>



## Drawings

Dimensional drawing



# AH-ME 200X150X78 - Covering hood



3240268

<https://www.phoenixcontact.com/us/products/3240268>

## Classifications

### ECLASS

ECLASS-13.0	27141190
ECLASS-15.0	27141190

### ETIM

ETIM 10.0	EC002848
-----------	----------

### UNSPSC

UNSPSC 21.0	39121400
-------------	----------

# AH-ME 200X150X78 - Covering hood



3240268

<https://www.phoenixcontact.com/us/products/3240268>

## Environmental product compliance

### EU RoHS

Fulfills EU RoHS substance requirements	Yes, No exemptions
---	--------------------

### China RoHS

Environment friendly use period (EFUP)	EFUP-E
	No hazardous substances above the limits

### EU REACH SVHC

REACH candidate substance (CAS No.)	No substance above 0.1 wt%
-------------------------------------	----------------------------

### EF3.1 Climate Change

CO2e kg	1.719 kg CO2e
---------	---------------

Phoenix Contact 2026 © - all rights reserved  
<https://www.phoenixcontact.com>

Phoenix Contact USA  
586 Fulling Mill Road  
Middletown, PA 17057, United States  
(+717) 944-1300  
[info@phoenixcon.com](mailto:info@phoenixcon.com)