

# WCC 38 - Cable clamp

3240258

<https://www.phoenixcontact.com/us/products/3240258>

Please be informed that the data shown in this PDF document is generated from our online catalog. Please find the complete data in the user documentation. Our general terms of use for downloads are valid.

Cable clamp, for DIN rails



## Your advantages

- The cable clamps provide strain relief
- The halogen-free plastic troughs have been designed to be perfectly secure while simultaneously protecting the conductors
- Individual or bundled cables with a diameter of up to 38 mm can be installed safely and easily

## Commercial data

|                                      |               |
|--------------------------------------|---------------|
| Item number                          | 3240258       |
| Packing unit                         | 25 pc         |
| Minimum order quantity               | 25 pc         |
| Sales key                            | BE74          |
| Product key                          | BE7421        |
| GTIN                                 | 4046356464505 |
| Weight per piece (including packing) | 64 g          |
| Weight per piece (excluding packing) | 64 g          |
| Customs tariff number                | 73269098      |
| Country of origin                    | CN            |

# WCC 38 - Cable clamp

3240258

<https://www.phoenixcontact.com/us/products/3240258>



## Technical data

### Product properties

|              |                    |
|--------------|--------------------|
| Product type | Cable feed-through |
|--------------|--------------------|

### Dimensions

|                          |       |
|--------------------------|-------|
| Dimensional drawing      |       |
| Wrench size              | 10 mm |
| Wrench size for mounting | 10 mm |

### Material specifications

|          |              |
|----------|--------------|
| Material | Steel        |
| Coating  | zinc plating |

### Cable/line

|                         |                 |
|-------------------------|-----------------|
| External cable diameter | 34 mm ... 38 mm |
|-------------------------|-----------------|

### Mounting

|               |                   |
|---------------|-------------------|
| Mounting type | DIN rail mounting |
|---------------|-------------------|

# WCC 38 - Cable clamp

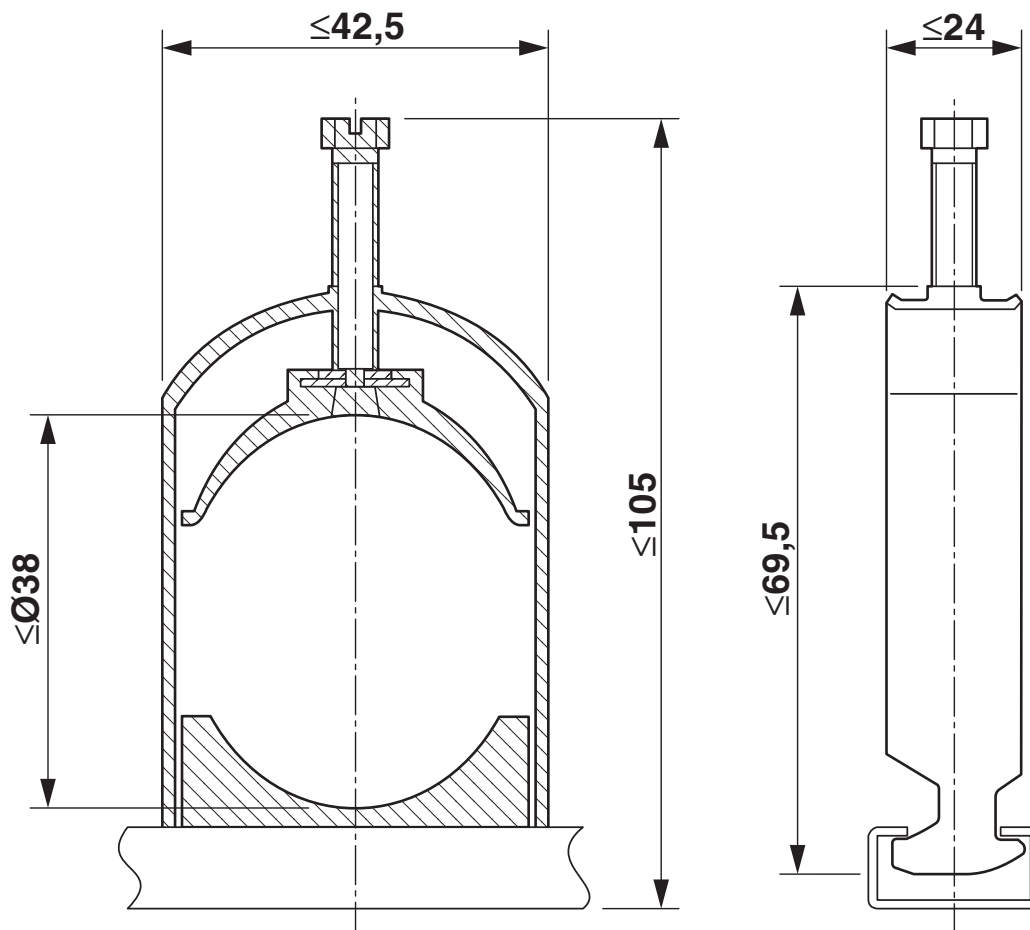
3240258

<https://www.phoenixcontact.com/us/products/3240258>



## Drawings

Dimensional drawing



# WCC 38 - Cable clamp

3240258

<https://www.phoenixcontact.com/us/products/3240258>



## Classifications

### ECLASS

|             |          |
|-------------|----------|
| ECLASS-13.0 | 23159090 |
| ECLASS-15.0 | 23159090 |

### ETIM

|           |          |
|-----------|----------|
| ETIM 10.0 | EC011571 |
|-----------|----------|

### UNSPSC

|             |          |
|-------------|----------|
| UNSPSC 21.0 | 31162900 |
|-------------|----------|

# WCC 38 - Cable clamp



3240258

<https://www.phoenixcontact.com/us/products/3240258>

## Environmental product compliance

### EU RoHS

|   |                    |
|---|--------------------|
| Fulfills EU RoHS substance requirements | Yes, No exemptions |
|---|--------------------|

### China RoHS

|  |  |
|--|--|
| Environment friendly use period (EFUP) | EFUP-E                                   |
|  | No hazardous substances above the limits |

### EU REACH SVHC

|                                     |                            |
|-------------------------------------|----------------------------|
| REACH candidate substance (CAS No.) | No substance above 0.1 wt% |
|-------------------------------------|----------------------------|

Phoenix Contact 2026 © - all rights reserved  
<https://www.phoenixcontact.com>

Phoenix Contact USA  
586 Fulling Mill Road  
Middletown, PA 17057, United States  
(+717) 944-1300  
[info@phoenixcon.com](mailto:info@phoenixcon.com)