

C-RCI 10/M8 - Ring cable lug

3240221

<https://www.phoenixcontact.com/us/products/3240221>

Please be informed that the data shown in this PDF document is generated from our online catalog. Please find the complete data in the user documentation. Our general terms of use for downloads are valid.



Ring cable lug, red, 10 mm², M8

Your advantages

- The sleeves are conically tapered to facilitate easy and correct insertion of the conductor
- The insulated ring cable lugs with plastic sleeve are hard-soldered and feature the 'EASY ENTRY' system

Commercial data

| | |
|--------------------------------------|---------------|
| Item number | 3240221 |
| Packing unit | 50 pc |
| Minimum order quantity | 50 pc |
| Sales key | BH34 |
| Product key | BH3421 |
| GTIN | 4046356452113 |
| Weight per piece (including packing) | 4.59 g |
| Weight per piece (excluding packing) | 4.245 g |
| Customs tariff number | 85369010 |
| Country of origin | TW |

C-RCI 10/M8 - Ring cable lug

3240221

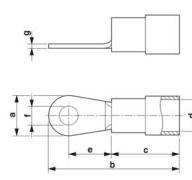
<https://www.phoenixcontact.com/us/products/3240221>

Technical data

Product properties

| | |
|------------------|--------------------------|
| Product type | Connector |
| Product property | Halogen-free |
| | With "Easy Entry" system |
| | Brazed |
| | PA-insulated |

Dimensions

| | |
|--|--|
| Dimensional drawing |  |
| Width | 15 mm |
| Sleeve length | 37.3 mm |
| Length of the insulating material sleeve | 16 mm |
| Maximum stripping length | 11 mm |
| Distance from the center to the insulating material sleeve | 13.8 mm |
| Min. material thickness | 1.1 mm |
| Inner dimensions of the insulating collar | 8 mm |

Internal dimensions

| | |
|-------------------|--------|
| Internal diameter | 8.4 mm |
|-------------------|--------|

Material specifications

| | |
|--|----------------|
| Color | red (RAL 3001) |
| Material | Copper |
| Flammability rating according to UL 94 | V2 |
| Coating | tin-plated |
| Insulating material | PA |
| Components | halogen-free |

Mechanical properties

Technical data

| | |
|---------------|---------|
| Sleeve length | 37.3 mm |
|---------------|---------|

Environmental and real-life conditions

Ambient conditions

| | |
|---|---|
| Optimum ambient temperature (storage/transport) | 20.00 °C 50.00 % Humidity (RH), store inside sealed original packaging. Avoid direct sunlight and heat. |
| Ambient temperature (operation) | -20 °C ... 105 °C |

C-RCI 10/M8 - Ring cable lug

3240221

<https://www.phoenixcontact.com/us/products/3240221>



| | |
|--------------------------------|-------------------|
| Ambient temperature (assembly) | -20 °C ... 100 °C |
| Short-term temperature | 100 °C |

C-RCI 10/M8 - Ring cable lug

3240221

<https://www.phoenixcontact.com/us/products/3240221>



Drawings

Dimensional drawing



C-RCI 10/M8 - Ring cable lug



3240221

<https://www.phoenixcontact.com/us/products/3240221>

Classifications

ECLASS

| | |
|-------------|----------|
| ECLASS-13.0 | 27400204 |
| ECLASS-15.0 | 27400204 |

ETIM

| | |
|-----------|----------|
| ETIM 10.0 | EC001052 |
|-----------|----------|

UNSPSC

| | |
|-------------|----------|
| UNSPSC 21.0 | 27121700 |
|-------------|----------|

C-RCI 10/M8 - Ring cable lug



3240221

<https://www.phoenixcontact.com/us/products/3240221>

Environmental product compliance

EU RoHS

| | |
|---|--------------------|
| Fulfills EU RoHS substance requirements | Yes, No exemptions |
|---|--------------------|

China RoHS

| | |
|--|--|
| Environment friendly use period (EFUP) | EFUP-E |
| | No hazardous substances above the limits |

EU REACH SVHC

| | |
|-------------------------------------|----------------------------|
| REACH candidate substance (CAS No.) | No substance above 0.1 wt% |
|-------------------------------------|----------------------------|

EF3.1 Climate Change

| | |
|---------|---------------|
| CO2e kg | 0.119 kg CO2e |
|---------|---------------|

Phoenix Contact 2026 © - all rights reserved
<https://www.phoenixcontact.com>

Phoenix Contact USA
586 Fulling Mill Road
Middletown, PA 17057, United States
(+717) 944-1300
info@phoenixcon.com