

C-RC 120/M10 DIN - Ring cable lug

3240125

<https://www.phoenixcontact.com/us/products/3240125>

Please be informed that the data shown in this PDF document is generated from our online catalog. Please find the complete data in the user documentation. Our general terms of use for downloads are valid.



Ring cable lug, non-insulated, 120 mm², M10

Your advantages

- The CRIMPFOX-RC... tools from our CRIMPFOX range of crimping pliers are available for optimum crimping
- The hard-soldered press zone enables maximum conductor pull-out values to be achieved
- The ring cable lugs without plastic sleeve are made from high-quality tin-plated electrolytic copper for maximum protection against corrosion

Commercial data

Item number	3240125
Packing unit	25 pc
Minimum order quantity	25 pc
Sales key	BH34
Product key	BH3422
GTIN	4046356453424
Weight per piece (including packing)	55.372 g
Weight per piece (excluding packing)	54.772 g
Customs tariff number	85369010
Country of origin	CN

C-RC 120/M10 DIN - Ring cable lug

3240125

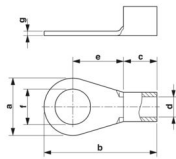
<https://www.phoenixcontact.com/us/products/3240125>

Technical data

Product properties

Product type	Connector
Product property	Design according to DIN 46234
	Brazed
	Tin-plated

Dimensions

Dimensional drawing	
Width	24 mm
Sleeve length	56 mm
Length of the insulating material sleeve	22 mm
Maximum stripping length	25 mm
Distance from the center to the insulating material sleeve	22 mm
Min. material thickness	3 mm
Inner dimensions of the insulating collar	16.5 mm

Internal dimensions

Internal diameter	10.5 mm
-------------------	---------

Material specifications

Color	silver-colored
Material	Copper
Coating	tin-plated

Mechanical properties

Technical data

Sleeve length	56 mm
---------------	-------

Environmental and real-life conditions

Ambient conditions

Ambient temperature (operation)	110 °C
---------------------------------	--------

Standards and regulations

Design according to standard	DIN 46234
------------------------------	-----------

C-RC 120/M10 DIN - Ring cable lug

3240125

<https://www.phoenixcontact.com/us/products/3240125>



Drawings

Dimensional drawing



C-RC 120/M10 DIN - Ring cable lug



3240125

<https://www.phoenixcontact.com/us/products/3240125>

Classifications

ECLASS

ECLASS-13.0	27400204
ECLASS-15.0	27400204

ETIM

ETIM 10.0	EC001052
-----------	----------

UNSPSC

UNSPSC 21.0	27121700
-------------	----------

C-RC 120/M10 DIN - Ring cable lug



3240125

<https://www.phoenixcontact.com/us/products/3240125>

Environmental product compliance

EU RoHS

Fulfills EU RoHS substance requirements	Yes, No exemptions
---	--------------------

China RoHS

Environment friendly use period (EFUP)	EFUP-E
	No hazardous substances above the limits

EU REACH SVHC

REACH candidate substance (CAS No.)	No substance above 0.1 wt%
-------------------------------------	----------------------------

EF3.1 Climate Change

CO2e kg	0.435 kg CO2e
---------	---------------

Phoenix Contact 2026 © - all rights reserved
<https://www.phoenixcontact.com>

Phoenix Contact USA
586 Fulling Mill Road
Middletown, PA 17057, United States
(+717) 944-1300
info@phoenixcon.com