

C-BCI 6/4,6 SO - Cable lug

3240067

<https://www.phoenixcontact.com/us/products/3240067>



Please be informed that the data shown in this PDF document is generated from our online catalog. Please find the complete data in the user documentation. Our general terms of use for downloads are valid.



Flat pin cable lug, with tab, soldered neck, yellow, 4 ... 6 mm², pin width: 4.6 mm, easy conductor entry with Easy-Entry, for horizontal and vertical crimping with CRIMPFOX-RCI 6

Commercial data

Item number	3240067
Packing unit	50 pc
Minimum order quantity	50 pc
Product key	BH3461
GTIN	4046356452854
Weight per piece (including packing)	2.09 g
Weight per piece (excluding packing)	2.09 g
Country of origin	TW

C-BCI 6/4,6 SO - Cable lug

3240067

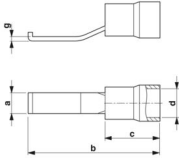
<https://www.phoenixcontact.com/us/products/3240067>

Technical data

Product properties

Product type	Connector
--------------	-----------

Dimensions

Dimensional drawing	
Width	4.6 mm
Length of the insulating material sleeve	13 mm
Length contact range	17.5 mm
Min. material thickness	1 mm
Inner dimensions of the insulating collar	6.5 mm

Material specifications

Color	yellow
Material	Copper
Flammability rating according to UL 94	V2
Coating	tin-plated
Insulating material	PA
Components	halogen-free

Environmental and real-life conditions

Ambient conditions

Ambient temperature (operation)	-20 °C ... 105 °C
Permanent temperature	105 °C
Short-term temperature	120 °C

C-BCI 6/4,6 SO - Cable lug

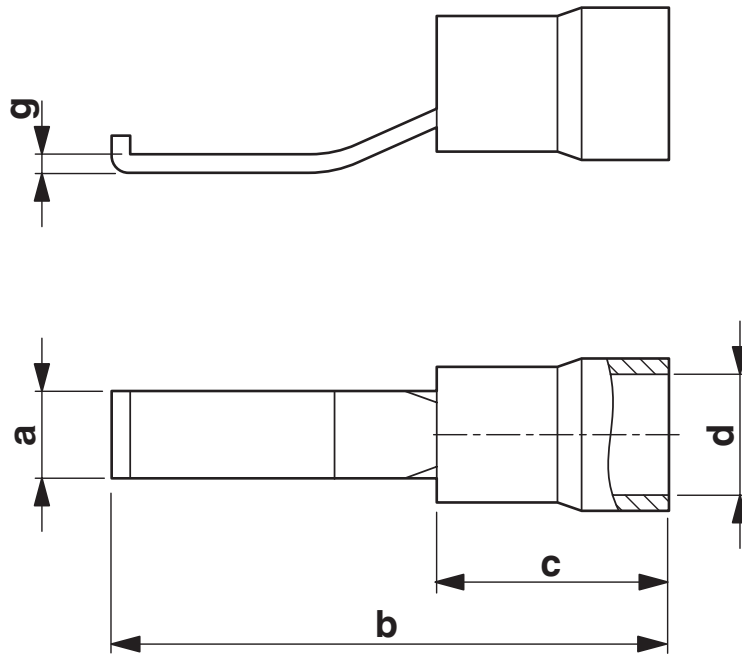
3240067

<https://www.phoenixcontact.com/us/products/3240067>



Drawings

Dimensional drawing



C-BCI 6/4,6 SO - Cable lug



3240067

<https://www.phoenixcontact.com/us/products/3240067>

Environmental product compliance

EU RoHS

Fulfills EU RoHS substance requirements	Yes, No exemptions
---	--------------------

China RoHS

Environment friendly use period (EFUP)	EFUP-E
	No hazardous substances above the limits

EU REACH SVHC

REACH candidate substance (CAS No.)	No substance above 0.1 wt%
-------------------------------------	----------------------------

Phoenix Contact 2026 © - all rights reserved
<https://www.phoenixcontact.com>

Phoenix Contact USA
586 Fulling Mill Road
Middletown, PA 17057, United States
(+717) 944-1300
info@phoenixcon.com