

# NS 35/15 ZN UNPERF 3000MM - DIN rail, unperforated



3240065

<https://www.phoenixcontact.com/us/products/3240065>

Please be informed that the data shown in this PDF document is generated from our online catalog. Please find the complete data in the user documentation. Our general terms of use for downloads are valid.



DIN rail, unperforated, similar to EN 60715, material: Steel, zinc plating, Standard profile

## Commercial data

Item number	3240065
Packing unit	10 pc
Minimum order quantity	10 pc
Product key	BE7232
GTIN	4046356756099
Weight per piece (including packing)	1,962 g
Weight per piece (excluding packing)	1,962 g
Country of origin	DE

# NS 35/15 ZN UNPERF 3000MM - DIN rail, unperforated



3240065

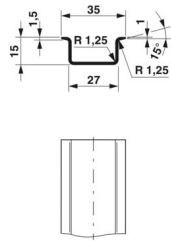
<https://www.phoenixcontact.com/us/products/3240065>

## Technical data

### Product properties

Product type	DIN rail
--------------	----------

### Dimensions

Dimensional drawing	
Width	35 mm
Depth	15 mm
Length	3000 mm

### Material specifications

Material	Steel
Coating	zinc plating

### Standards and regulations

Connection in acc. with standard	IEC / EN
Tests	similar to EN 60715

### Electrical tests

Short-time withstand current	
Equivalent E-Cu cross-section	25 mm <sup>2</sup>
Short-time current resistance 1s	3 kA

# NS 35/15 ZN UNPERF 3000MM - DIN rail, unperforated

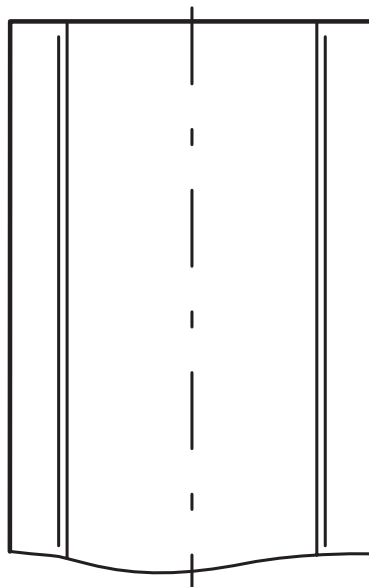
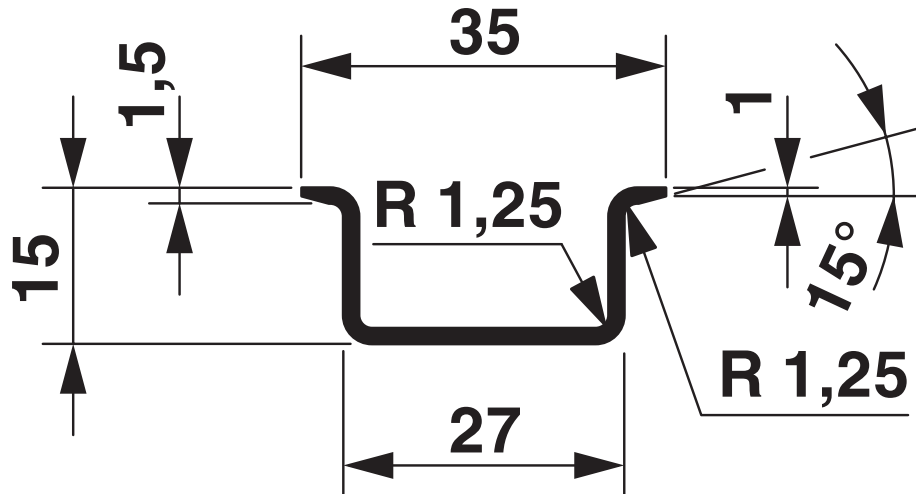


3240065

<https://www.phoenixcontact.com/us/products/3240065>

## Drawings

Dimensional drawing



# NS 35/15 ZN UNPERF 3000MM - DIN rail, unperforated



3240065

<https://www.phoenixcontact.com/us/products/3240065>

## Classifications

### ECLASS

ECLASS-13.0	27400602
ECLASS-15.0	27400602

### ETIM

ETIM 10.0	EC001285
-----------	----------

### UNSPSC

UNSPSC 21.0	39121700
-------------	----------

# NS 35/15 ZN UNPERF 3000MM - DIN rail, unperforated



3240065

<https://www.phoenixcontact.com/us/products/3240065>

## Environmental product compliance

### EU RoHS

Fulfills EU RoHS substance requirements	Yes, No exemptions
---	--------------------

### China RoHS

Environment friendly use period (EFUP)	EFUP-E
	No hazardous substances above the limits

### EU REACH SVHC

REACH candidate substance (CAS No.)	No substance above 0.1 wt%
-------------------------------------	----------------------------

### EF3.1 Climate Change

CO2e kg	2.865 kg CO2e
---------	---------------

Phoenix Contact 2026 © - all rights reserved  
<https://www.phoenixcontact.com>

Phoenix Contact USA  
586 Fulling Mill Road  
Middletown, PA 17057, United States  
(+717) 944-1300  
[info@phoenixcon.com](mailto:info@phoenixcon.com)