

C-JCI 2,5 - Connector

3240062

<https://www.phoenixcontact.com/us/products/3240062>

Please be informed that the data shown in this PDF document is generated from our online catalog. Please find the complete data in the user documentation. Our general terms of use for downloads are valid.



Butt connector, fully isolated, blue, 1.5 - 2.5 mm²,

Your advantages

- Electrogalvanized
- Hard-soldered crimping zone for maximum conductor pull-out forces in connection with CRIMPFOX RCI... pliers
- Halogen-free
- Conductor protection against pushing through

Commercial data

Item number	3240062
Packing unit	50 pc
Minimum order quantity	50 pc
Sales key	BH34
Product key	BH34V1
GTIN	4046356452809
Weight per piece (including packing)	1.415 g
Weight per piece (excluding packing)	1.38 g
Customs tariff number	85369010
Country of origin	CN

C-JCI 2,5 - Connector

3240062

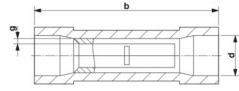
<https://www.phoenixcontact.com/us/products/3240062>

Technical data

Product properties

Product type	Connector
Product property	Halogen-free
	With "Easy Entry" system
	With conductor protection against pushing through
	PA-insulated

Dimensions

Dimensional drawing	
Sleeve length	25.5 mm
Maximum stripping length	8 mm
Min. material thickness	0.8 mm
Inner dimensions of the insulating collar	4.5 mm

Material specifications

Color	blue (RAL 5015)
Material	Cu
Flammability rating according to UL 94	V2
Coating	electrogalvanized
Insulating material	PA
Components	halogen-free

Mechanical properties

Technical data

Sleeve length	25.5 mm
---------------	---------

Environmental and real-life conditions

Ambient conditions

Ambient temperature (operation)	-20 °C ... 105 °C
Permanent temperature	105 °C
Short-term temperature	120 °C

C-JCI 2,5 - Connector

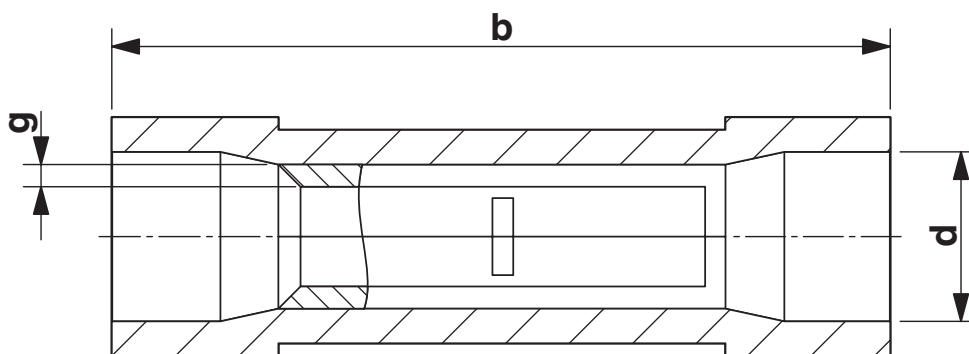
3240062

<https://www.phoenixcontact.com/us/products/3240062>



Drawings

Dimensional drawing



C-JCI 2,5 - Connector



3240062

<https://www.phoenixcontact.com/us/products/3240062>

Classifications

ECLASS

ECLASS-13.0	27400204
ECLASS-15.0	27400204

ETIM

ETIM 10.0	EC001052
-----------	----------

UNSPSC

UNSPSC 21.0	27121700
-------------	----------

C-JCI 2,5 - Connector



3240062

<https://www.phoenixcontact.com/us/products/3240062>

Environmental product compliance

EU RoHS

Fulfills EU RoHS substance requirements	Yes, No exemptions
---	--------------------

China RoHS

Environment friendly use period (EFUP)	EFUP-E
	No hazardous substances above the limits

EU REACH SVHC

REACH candidate substance (CAS No.)	No substance above 0.1 wt%
-------------------------------------	----------------------------

EF3.1 Climate Change

CO2e kg	0.025 kg CO2e
---------	---------------

Phoenix Contact 2026 © - all rights reserved
<https://www.phoenixcontact.com>

Phoenix Contact USA
586 Fulling Mill Road
Middletown, PA 17057, United States
(+717) 944-1300
info@phoenixcon.com