

C-FCI 1,5/M3,5 - Fork-type cable lug

3240033

<https://www.phoenixcontact.com/us/products/3240033>

Please be informed that the data shown in this PDF document is generated from our online catalog. Please find the complete data in the user documentation. Our general terms of use for downloads are valid.



Fork-type cable lug, red, 0.5 - 1.5 mm², M3,5

Your advantages

- The fork-type cable lugs without plastic sleeve feature a hard-soldered neck. In conjunction with the CRIMPFOX-RC ... and CRIMPFOX-RCI ... pliers they can be used to achieve maximum conductor pull-out forces
- The insulated versions are halogen-free and feature "EASY ENTRY" technology

Commercial data

| | |
|--------------------------------------|---------------|
| Item number | 3240033 |
| Packing unit | 100 pc |
| Minimum order quantity | 100 pc |
| Sales key | BH34 |
| Product key | BH3441 |
| GTIN | 4046356451109 |
| Weight per piece (including packing) | 0.657 g |
| Weight per piece (excluding packing) | 0.67 g |
| Customs tariff number | 85369010 |
| Country of origin | CN |

C-FCI 1,5/M3,5 - Fork-type cable lug

3240033

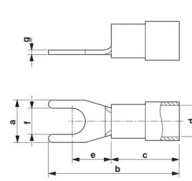
<https://www.phoenixcontact.com/us/products/3240033>

Technical data

Product properties

| | |
|------------------|--------------------------|
| Product type | Connector |
| Product property | With "Easy Entry" system |
| | Brazed |
| | PA-insulated |

Dimensions

| | |
|--|--|
| Dimensional drawing |  |
| Width | 5.7 mm |
| Sleeve length | 22 mm |
| Length of the insulating material sleeve | 10.5 mm |
| Maximum stripping length | 7 mm |
| Distance from the center to the insulating material sleeve | 7.2 mm |
| Min. material thickness | 0.75 mm |
| Inner dimensions of the insulating collar | 4.1 mm |

Internal dimensions

| | |
|-------------------|--------|
| Internal diameter | 3.7 mm |
|-------------------|--------|

Material specifications

| | |
|--|----------------|
| Color | red (RAL 3001) |
| Material | Copper |
| Flammability rating according to UL 94 | V2 |
| Coating | tin-plated |
| Insulating material | PA |
| Components | halogen-free |

Mechanical properties

Technical data

| | |
|---------------|-------|
| Sleeve length | 22 mm |
|---------------|-------|

C-FCI 1,5/M3,5 - Fork-type cable lug

3240033

<https://www.phoenixcontact.com/us/products/3240033>



Drawings

Dimensional drawing



C-FCI 1,5/M3,5 - Fork-type cable lug



3240033

<https://www.phoenixcontact.com/us/products/3240033>

Classifications

ECLASS

| | |
|-------------|----------|
| ECLASS-13.0 | 27400204 |
| ECLASS-15.0 | 27400204 |

ETIM

| | |
|-----------|----------|
| ETIM 10.0 | EC001052 |
|-----------|----------|

UNSPSC

| | |
|-------------|----------|
| UNSPSC 21.0 | 27121700 |
|-------------|----------|

C-FCI 1,5/M3,5 - Fork-type cable lug



3240033

<https://www.phoenixcontact.com/us/products/3240033>

Environmental product compliance

EU RoHS

| | |
|---|--------------------|
| Fulfills EU RoHS substance requirements | Yes, No exemptions |
|---|--------------------|

China RoHS

| | |
|--|--|
| Environment friendly use period (EFUP) | EFUP-E |
| | No hazardous substances above the limits |

EU REACH SVHC

| | |
|-------------------------------------|----------------------------|
| REACH candidate substance (CAS No.) | No substance above 0.1 wt% |
|-------------------------------------|----------------------------|

EF3.1 Climate Change

| | |
|---------|---------------|
| CO2e kg | 0.011 kg CO2e |
|---------|---------------|

Phoenix Contact 2026 © - all rights reserved
<https://www.phoenixcontact.com>

Phoenix Contact USA
586 Fulling Mill Road
Middletown, PA 17057, United States
(+717) 944-1300
info@phoenixcon.com