

C-FCI 1,5/M3 - Fork-type cable lug

3240032

<https://www.phoenixcontact.com/us/products/3240032>

Please be informed that the data shown in this PDF document is generated from our online catalog. Please find the complete data in the user documentation. Our general terms of use for downloads are valid.



Fork-type cable lug, red, 0.5 - 1.5 mm², M3

Your advantages

- The fork-type cable lugs without plastic sleeve feature a hard-soldered neck. In conjunction with the CRIMPFOX-RC ... and CRIMPFOX-RCI ... pliers they can be used to achieve maximum conductor pull-out forces
- The insulated versions are halogen-free and feature "EASY ENTRY" technology

Commercial data

Item number	3240032
Packing unit	100 pc
Minimum order quantity	100 pc
Sales key	BH34
Product key	BH3441
GTIN	4046356451093
Weight per piece (including packing)	0.694 g
Weight per piece (excluding packing)	0.677 g
Customs tariff number	85369010
Country of origin	CN

C-FCI 1,5/M3 - Fork-type cable lug

3240032

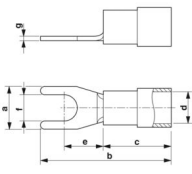
<https://www.phoenixcontact.com/us/products/3240032>

Technical data

Product properties

Product type	Connector
Product property	Halogen-free
	With "Easy Entry" (conical insertion area)
	Brazed
	PA-insulated
	Tin-plated
	Temperature range: -20°C ... +105°C
	Flammability rating V2 in accordance with UL 94

Dimensions

Dimensional drawing	
Width	5.7 mm
Sleeve length	22 mm
Length of the insulating material sleeve	10.5 mm
Maximum stripping length	7 mm
Distance from the center to the insulating material sleeve	7.2 mm
Min. material thickness	0.75 mm
Inner dimensions of the insulating collar	4.1 mm

Internal dimensions

Internal diameter	3.2 mm
-------------------	--------

Material specifications

Color	red (RAL 3001)
Material	Copper
Flammability rating according to UL 94	V2
Coating	tin-plated
Insulating material	PA
Components	halogen-free

Mechanical properties

Technical data

Sleeve length	22 mm
---------------	-------

Environmental and real-life conditions

C-FCI 1,5/M3 - Fork-type cable lug



3240032

<https://www.phoenixcontact.com/us/products/3240032>

Ambient conditions

Ambient temperature (operation)	-20 °C ... 105 °C
Permanent temperature	105 °C
Short-term temperature	120 °C

C-FCI 1,5/M3 - Fork-type cable lug

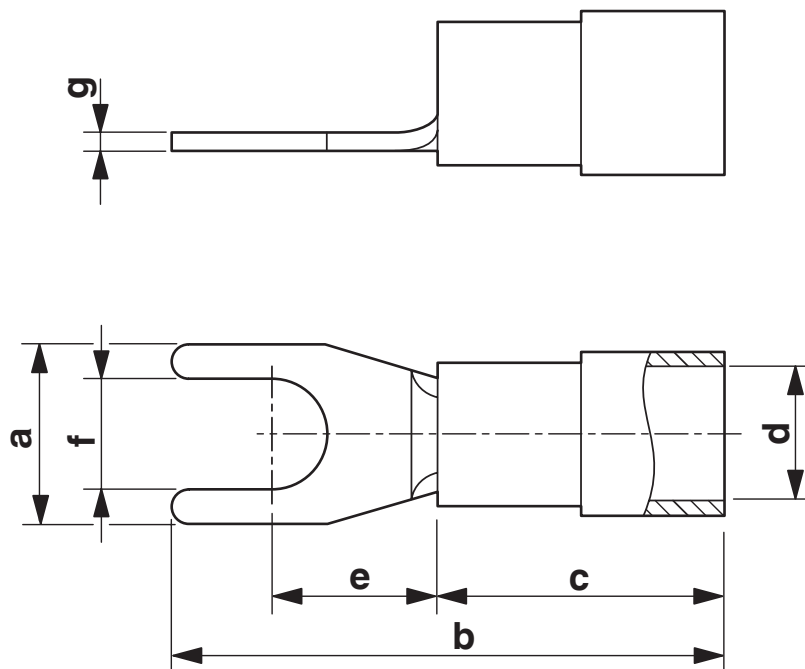
3240032

<https://www.phoenixcontact.com/us/products/3240032>



Drawings

Dimensional drawing



C-FCI 1,5/M3 - Fork-type cable lug



3240032

<https://www.phoenixcontact.com/us/products/3240032>

Classifications

ECLASS

ECLASS-13.0	27400204
ECLASS-15.0	27400204

ETIM

ETIM 10.0	EC001052
-----------	----------

UNSPSC

UNSPSC 21.0	27121700
-------------	----------

C-FCI 1,5/M3 - Fork-type cable lug



3240032

<https://www.phoenixcontact.com/us/products/3240032>

Environmental product compliance

EU RoHS

Fulfills EU RoHS substance requirements	Yes, No exemptions
-----------------------------------------	--------------------

China RoHS

Environment friendly use period (EFUP)	EFUP-E
	No hazardous substances above the limits

EU REACH SVHC

REACH candidate substance (CAS No.)	No substance above 0.1 wt%
-------------------------------------	----------------------------

EF3.1 Climate Change

CO2e kg	0.019 kg CO2e
---------	---------------

Phoenix Contact 2026 © - all rights reserved
<https://www.phoenixcontact.com>

Phoenix Contact USA
586 Fulling Mill Road
Middletown, PA 17057, United States
(+717) 944-1300
info@phoenixcon.com