

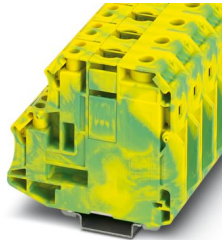
UKH 70/4X10-PE - Protective conductor terminal block



3213144

<https://www.phoenixcontact.com/us/products/3213144>

Please be informed that the data shown in this PDF document is generated from our online catalog. Please find the complete data in the user documentation. Our general terms of use for downloads are valid.



Protective conductor terminal block, number of connections: 5, number of positions: 1, connection method: Screw connection, Rated cross section: 70 mm², cross section: 16 mm² - 95 mm², connection method: Screw connection, cross section: 1.5 mm² - 16 mm², mounting method: PE foot with mounting screw, M6, mounting type: NS 35/7,5, NS 35/15, NS 35/15-2,3, NS 32, color: green-yellow

Your advantages

- Reliable cable connection is ensured by three-point centering of the conductor in the prismatic sleeve base
- Screw locking by means of spring-loaded elements in the clamping part
- Low contact resistance of the contact surface due to ribbing

Commercial data

Item number	3213144
Packing unit	10 pc
Minimum order quantity	10 pc
Sales key	BE13
Product key	BE1311
GTIN	4046356817844
Weight per piece (including packing)	193.98 g
Weight per piece (excluding packing)	178.6 g
Customs tariff number	85369010
Country of origin	CN

3213144

<https://www.phoenixcontact.com/us/products/3213144>

Technical data

Product properties

Product type	Ground terminal block
Product family	UKH
Number of positions	1
Number of connections	5
Number of rows	1

Insulation characteristics

Overvoltage category	III
Degree of pollution	3

Electrical properties

Rated surge voltage	8 kV
Maximum power dissipation for nominal condition	6.27 W

Connection data

Grounding foot	Yes
Number of connections per level	2
Nominal cross section	70 mm ²
Rated cross section AWG	2/0

Level 1 above 1

Connection method	Screw connection
Screw thread	M8
Note	Please observe the current carrying capacity of the DIN rails.
Tightening torque	8 ... 10 Nm
Stripping length	24 mm
Internal cylindrical gage	A11
Connection in acc. with standard	IEC 60947-7-2
Conductor cross-section rigid	16 mm ² ... 95 mm ²
Cross section AWG	4 ... 3/0 (converted acc. to IEC)
Conductor cross-section flexible	25 mm ² ... 70 mm ²
Conductor cross-section, flexible [AWG]	2 ... 2/0 (converted acc. to IEC)
Conductor cross-section flexible (ferrule without plastic sleeve)	16 mm ² ... 70 mm ²
Flexible conductor cross-section (ferrule with plastic sleeve)	16 mm ² ... 70 mm ²
Nominal cross section	70 mm ²

Level 1+2+3+4 bottom

Connection method	Screw connection
Screw thread	M4
Note	PE foot with mounting screw, M4
Tightening torque	1.4 ... 1.5 Nm
Stripping length	10 mm

UKH 70/4X10-PE - Protective conductor terminal block



3213144

<https://www.phoenixcontact.com/us/products/3213144>

Internal cylindrical gage	A5
Conductor cross-section rigid	1.5 mm ² ... 16 mm ²
Cross section AWG	16 ... 6 (converted acc. to IEC)
Conductor cross-section flexible	1.5 mm ² ... 10 mm ²
Conductor cross-section, flexible [AWG]	16 ... 6 (converted acc. to IEC)
Conductor cross-section flexible (ferrule without plastic sleeve)	1.5 mm ² ... 10 mm ²
Flexible conductor cross-section (ferrule with plastic sleeve)	1.5 mm ² ... 6 mm ²
Conductor cross-section flexible (2 conductors with the same cross-section, with TWIN ferrule and plastic sleeve)	1.5 mm ² ... 6 mm ²

Dimensions

Width	20.3 mm
Height	88.5 mm
Depth	79.4 mm
Depth on NS 32	85 mm
Depth on NS 35/7,5	80 mm
Depth on NS 35/15	87.5 mm

Material specifications

Color	green-yellow
Flammability rating according to UL 94	V0
Insulating material group	I
Insulating material	PA
Static insulating material application in cold	-60 °C
Temperature index of insulation material (DIN EN 60216-1 (VDE 0304-21))	130 °C
Relative insulation material temperature index (Elec., UL 746 B)	130 °C
Fire protection for rail vehicles (DIN EN 45545-2) R22	HL 1 - HL 3
Fire protection for rail vehicles (DIN EN 45545-2) R23	HL 1 - HL 3
Fire protection for rail vehicles (DIN EN 45545-2) R24	HL 1 - HL 3
Fire protection for rail vehicles (DIN EN 45545-2) R26	HL 1 - HL 3
Calorimetric heat release NFPA 130 (ASTM E 1354)	28 MJ/kg
Surface flammability NFPA 130 (ASTM E 162)	passed
Specific optical density of smoke NFPA 130 (ASTM E 662)	passed
Smoke gas toxicity NFPA 130 (SMP 800C)	passed

Mechanical properties

General

Terminal block mounting	6 Nm ... 8 Nm (PE foot with mounting screw, M6)
-------------------------	---

Mechanical data

Open side panel	No
-----------------	----

Environmental and real-life conditions

3213144

<https://www.phoenixcontact.com/us/products/3213144>

Oscillation/broadband noise

Specification	DIN EN 50155 (VDE 0115-200):2008-03
Spectrum	Long life test category 2, bogie-mounted
Frequency	$f_1 = 5 \text{ Hz}$ to $f_2 = 250 \text{ Hz}$
ASD level	6.12 (m/s ²) ² /Hz
Acceleration	3.12g
Test duration per axis	5 h
Test directions	X-, Y- and Z-axis
Result	Test passed

Shocks

Specification	DIN EN 50155 (VDE 0115-200):2008-03
Pulse shape	Half-sine
Acceleration	30g
Shock duration	18 ms
Number of shocks per direction	3
Test directions	X-, Y- and Z-axis (pos. and neg.)
Result	Test passed

Ambient conditions

Ambient temperature (operation)	-60 °C ... 105 °C (max. short-term operating temperature RTI Elec.)
Ambient temperature (storage/transport)	-25 °C ... 60 °C (for a short time, not exceeding 24 h, -60 °C to +70 °C)
Ambient temperature (assembly)	-5 °C ... 70 °C
Ambient temperature (actuation)	-5 °C ... 70 °C
Permissible humidity (storage/transport)	30 % ... 70 %

Standards and regulations

Connection in acc. with standard	IEC 60947-7-2
----------------------------------	---------------

Mounting

Mounting type	NS 35/7,5
	NS 35/15
	NS 35/15-2,3
	NS 32
Terminal block mounting	6 Nm ... 8 Nm (PE foot with mounting screw, M6)

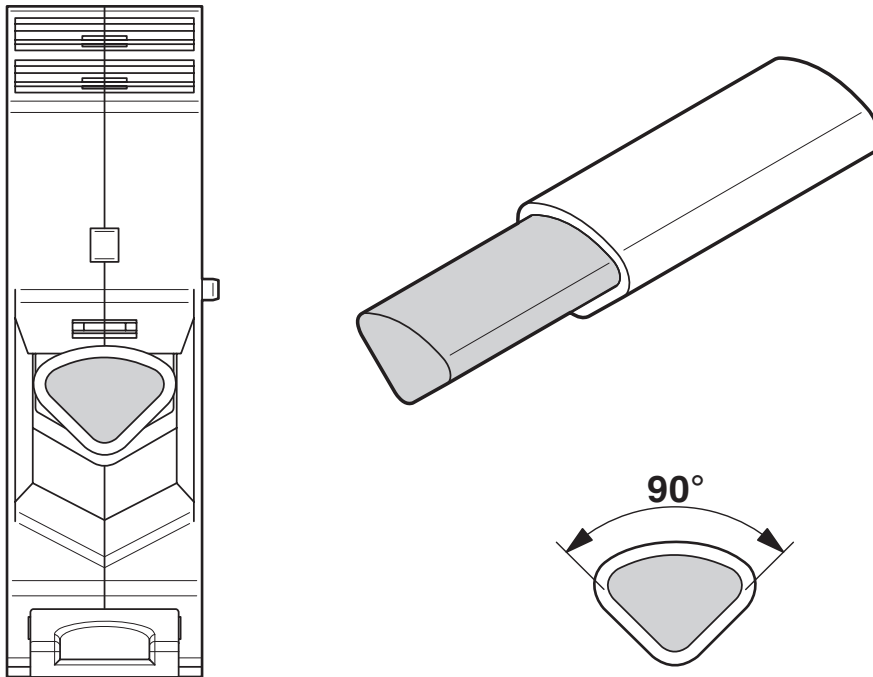
UKH 70/4X10-PE - Protective conductor terminal block

3213144

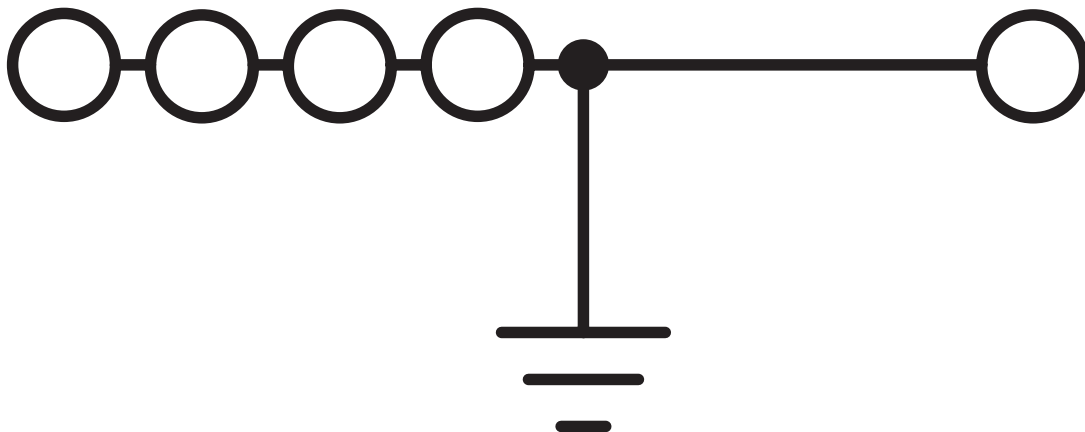
<https://www.phoenixcontact.com/us/products/3213144>

Drawings

Schematic diagram



Circuit diagram



UKH 70/4X10-PE - Protective conductor terminal block



3213144

<https://www.phoenixcontact.com/us/products/3213144>

Approvals

To download certificates, visit the product detail page: <https://www.phoenixcontact.com/us/products/3213144>



CSA

Approval ID: 13631



EAC

Approval ID: KZ7500651131219505



cULus Recognized

Approval ID: E60425

	Nominal voltage U_N	Nominal current I_N	Cross section AWG	Cross section mm^2
C	1000 V	-	6 - 3/0	-

3213144

<https://www.phoenixcontact.com/us/products/3213144>

Classifications

ECLASS

ECLASS-13.0	27250103
ECLASS-15.0	27250103

ETIM

ETIM 10.0	EC000901
-----------	----------

UNSPSC

UNSPSC 21.0	39121400
-------------	----------

3213144

<https://www.phoenixcontact.com/us/products/3213144>

Environmental product compliance

EU RoHS

Fulfills EU RoHS substance requirements	Yes, No exemptions
---	--------------------

China RoHS

Environment friendly use period (EFUP)	EFUP-E
	No hazardous substances above the limits

EU REACH SVHC

REACH candidate substance (CAS No.)	No substance above 0.1 wt%
-------------------------------------	----------------------------

EF3.1 Climate Change

CO2e kg	2.268 kg CO2e
---------	---------------

Phoenix Contact 2026 © - all rights reserved
<https://www.phoenixcontact.com>

Phoenix Contact USA
586 Fulling Mill Road
Middletown, PA 17057, United States
(+717) 944-1300
info@phoenixcon.com