

PTME 6 - Test disconnect terminal block



3212170

<https://www.phoenixcontact.com/us/products/3212170>

Please be informed that the data shown in this PDF document is generated from our online catalog. Please find the complete data in the user documentation. Our general terms of use for downloads are valid.



Test disconnect terminal block, nom. voltage: 500 V, nominal current: 30 A, connection method: Push-in connection, 1 level, Rated cross section: 6 mm², cross section: 0.5 mm² - 10 mm², color: gray

Your advantages

- Feed-through terminal blocks of the same shape are available
- Easy operation
- Clear
- Clear selection thanks to printed switching symbols
- Compact design
- Six function shafts
- Flexible and comprehensive accessories
- Reliably snapped into the end positions

Commercial data

Item number	3212170
Packing unit	50 pc
Minimum order quantity	50 pc
Sales key	BE22
Product key	BE2233
GTIN	4046356514934
Weight per piece (including packing)	26.826 g
Weight per piece (excluding packing)	25.92 g
Customs tariff number	85369010
Country of origin	PL

PTME 6 - Test disconnect terminal block



3212170

<https://www.phoenixcontact.com/us/products/3212170>

Technical data

Product properties

Product type	Test disconnect terminal block
Number of connections	2
Number of rows	1
Potentials	1

Insulation characteristics

Overvoltage category	III
Degree of pollution	3

Electrical properties

Rated surge voltage	6 kV
Maximum power dissipation for nominal condition	1.31 W

Connection data

Number of connections per level	2
Nominal cross section	6 mm ²

1 level

Connection method	Push-in connection
Stripping length	12 mm
Internal cylindrical gage	A5
Connection in acc. with standard	IEC 60947-7-1
Conductor cross-section rigid	0.5 mm ² ... 10 mm ²
Cross section AWG	20 ... 8 (converted acc. to IEC)
Conductor cross-section flexible	0.5 mm ² ... 6 mm ²
Conductor cross-section, flexible [AWG]	20 ... 10 (converted acc. to IEC)
Conductor cross-section flexible (ferrule without plastic sleeve)	0.5 mm ² ... 6 mm ²
Flexible conductor cross-section (ferrule with plastic sleeve)	0.5 mm ² ... 6 mm ²
Conductor cross-section flexible (2 conductors with the same cross-section, with TWIN ferrule and plastic sleeve)	0.5 mm ² ... 1.5 mm ²
2 conductors with the same cross section, flexible, with TWIN ferrule with plastic sleeve	0.5 mm ² ... 1.5 mm ²
Nominal cross section	6 mm ²
Nominal current	30 A
Maximum load current	30 A (with 10 mm ² conductor cross-section)
Nominal voltage	500 V

1 level Connection cross sections directly pluggable

Conductor cross-section rigid	1 mm ² ... 10 mm ²
Conductor cross-section flexible (ferrule without plastic sleeve)	1 mm ² ... 6 mm ²
Flexible conductor cross-section (ferrule with plastic sleeve)	1 mm ² ... 6 mm ²

PTME 6 - Test disconnect terminal block



3212170

<https://www.phoenixcontact.com/us/products/3212170>

Dimensions

Width	8.2 mm
End cover width	2.2 mm
Height	100.8 mm
Depth on NS 35/7,5	49.6 mm
Depth on NS 35/15	57.1 mm

Material specifications

Color	gray (RAL 7042)
Flammability rating according to UL 94	V0
Insulating material group	I
Insulating material	PA
Static insulating material application in cold	-60 °C
Temperature index of insulation material (DIN EN 60216-1 (VDE 0304-21))	125 °C
Relative insulation material temperature index (Elec., UL 746 B)	130 °C
Fire protection for rail vehicles (DIN EN 45545-2) R22	HL 1 - HL 3
Fire protection for rail vehicles (DIN EN 45545-2) R23	HL 1 - HL 3
Fire protection for rail vehicles (DIN EN 45545-2) R24	HL 1 - HL 3
Fire protection for rail vehicles (DIN EN 45545-2) R26	HL 1 - HL 3
Calorimetric heat release NFPA 130 (ASTM E 1354)	27,5 MJ/kg
Surface flammability NFPA 130 (ASTM E 162)	passed
Specific optical density of smoke NFPA 130 (ASTM E 662)	passed
Smoke gas toxicity NFPA 130 (SMP 800C)	passed

Electrical tests

Surge voltage test

Test voltage setpoint	7.3 kV
Result	Test passed

Temperature-rise test

Requirement temperature-rise test	Increase in temperature \leq 45 K
Result	Test passed
Short-time withstand current 4 mm ²	0.5 kA
	0.15 kA
	1.25 kA
Result	Test passed

Power-frequency withstand voltage

Test voltage setpoint	1.89 kV
Result	Test passed

Mechanical properties

Mechanical data

PTME 6 - Test disconnect terminal block



3212170

<https://www.phoenixcontact.com/us/products/3212170>

Open side panel	Yes
-----------------	-----

Mechanical tests

Mechanical strength

Result	Test passed
--------	-------------

Attachment on the carrier

DIN rail/fixing support	NS 35
Test force setpoint	5 N
Result	Test passed

Test for conductor damage and slackening

Rotation speed	10 rpm
Revolutions	135
Conductor cross-section/weight	0.5 mm ² / 0.3 kg
	6 mm ² / 1.4 kg
	10 mm ² / 2 kg
Result	Test passed

Environmental and real-life conditions

Aging

Temperature cycles	192
Result	Test passed

Needle-flame test

Time of exposure	30 s
Result	Test passed

Oscillation/broadband noise

Specification	DIN EN 50155 (VDE 0115-200):2018-05
Spectrum	Long life test category 2, bogie-mounted
Frequency	$f_1 = 5 \text{ Hz}$ to $f_2 = 250 \text{ Hz}$
ASD level	6.12 (m/s ²) ² /Hz
Acceleration	3.12g
Test duration per axis	5 h
Test directions	X-, Y- and Z-axis
Result	Test passed

Shocks

Specification	DIN EN 50155 (VDE 0115-200):2018-05
Pulse shape	Half-sine
Acceleration	30g
Shock duration	18 ms
Number of shocks per direction	3
Test directions	X-, Y- and Z-axis (pos. and neg.)

PTME 6 - Test disconnect terminal block



3212170

<https://www.phoenixcontact.com/us/products/3212170>

Result	Test passed
--------	-------------

Ambient conditions

Ambient temperature (operation)	-60 °C ... 110 °C (Operating temperature range incl. self-heating; for max. short-term operating temperature, see RTI Elec.)
Ambient temperature (storage/transport)	-25 °C ... 60 °C (for a short time, not exceeding 24 h, -60 °C to +70 °C)
Ambient temperature (assembly)	-5 °C ... 70 °C
Ambient temperature (actuation)	-5 °C ... 70 °C
Permissible humidity (operation)	20 % ... 90 %
Permissible humidity (storage/transport)	30 % ... 70 %

Standards and regulations

Connection in acc. with standard	IEC 60947-7-1
----------------------------------	---------------

Mounting

Mounting type	NS 35/15
	NS 35/7,5

PTME 6 - Test disconnect terminal block



3212170

<https://www.phoenixcontact.com/us/products/3212170>

Drawings

Connection diagram



PTME 6 - Test disconnect terminal block

3212170

<https://www.phoenixcontact.com/us/products/3212170>

Connection diagram



PTME 6 - Test disconnect terminal block

3212170

<https://www.phoenixcontact.com/us/products/3212170>

Connection diagram



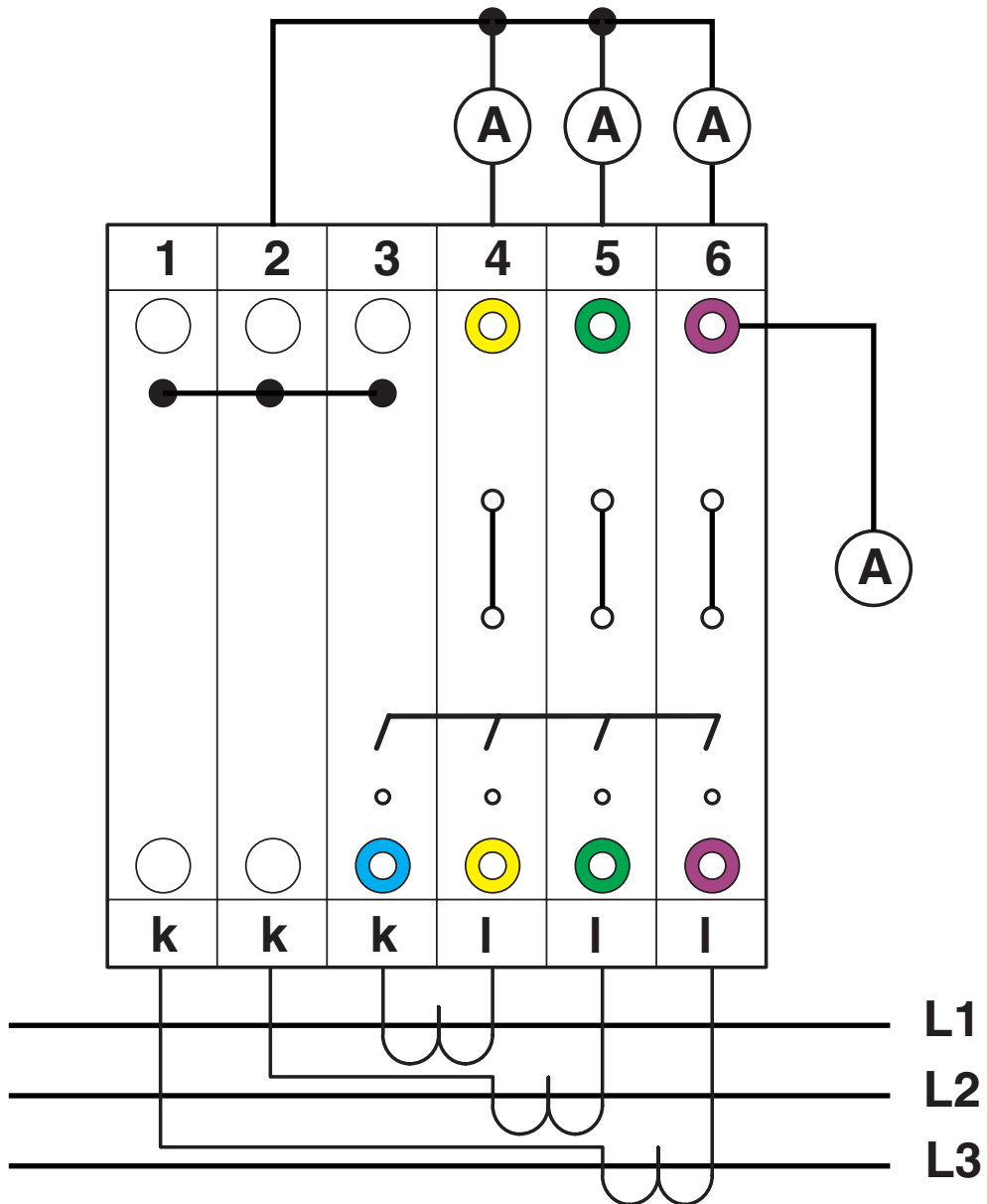
with PE terminals having the same contours

PTME 6 - Test disconnect terminal block

3212170

<https://www.phoenixcontact.com/us/products/3212170>

Connection diagram



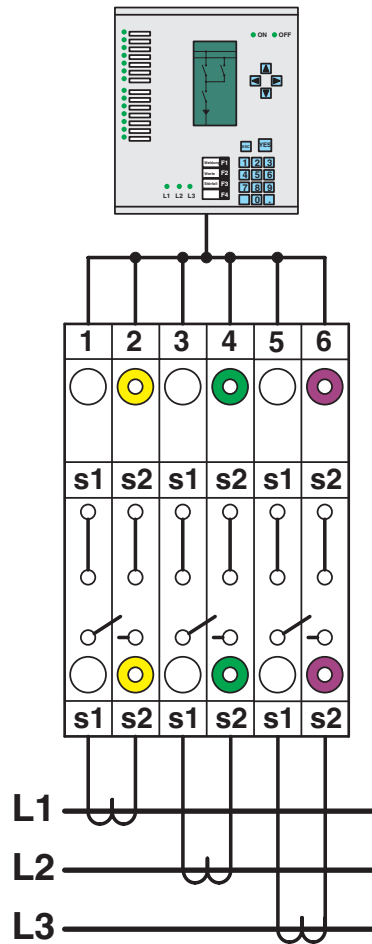
phase to phase

PTME 6 - Test disconnect terminal block

3212170

<https://www.phoenixcontact.com/us/products/3212170>

Schematic diagram



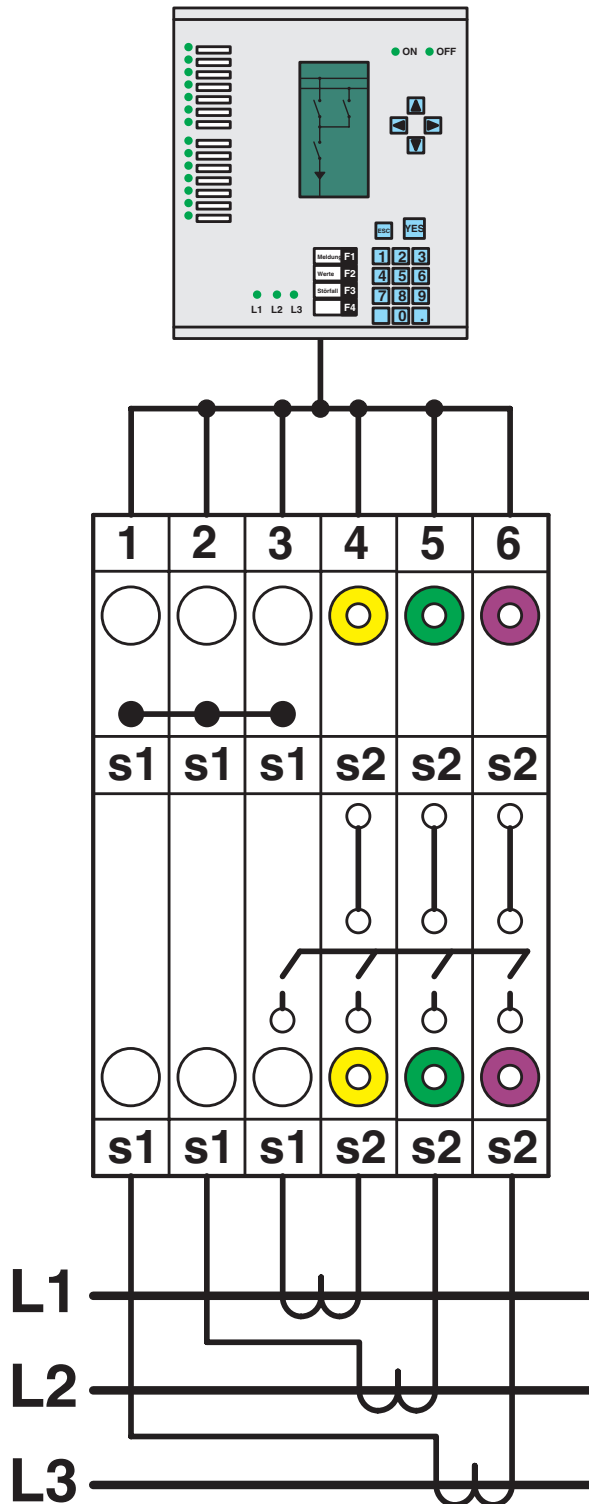
Simple three-phase current transformer set

PTME 6 - Test disconnect terminal block

3212170

<https://www.phoenixcontact.com/us/products/3212170>

Schematic diagram



Interlinked three-phase current transformer set

PTME 6 - Test disconnect terminal block

3212170

<https://www.phoenixcontact.com/us/products/3212170>

Schematic diagram



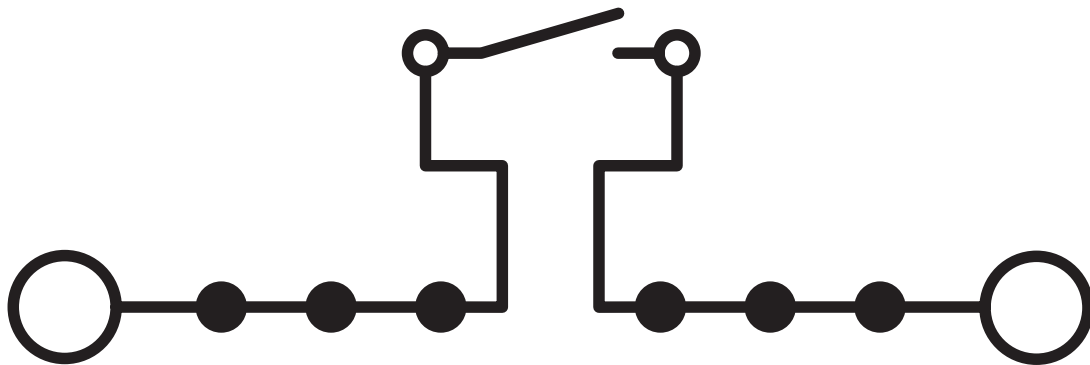
Interlinked three-phase current transformer set with grounded star point

PTME 6 - Test disconnect terminal block

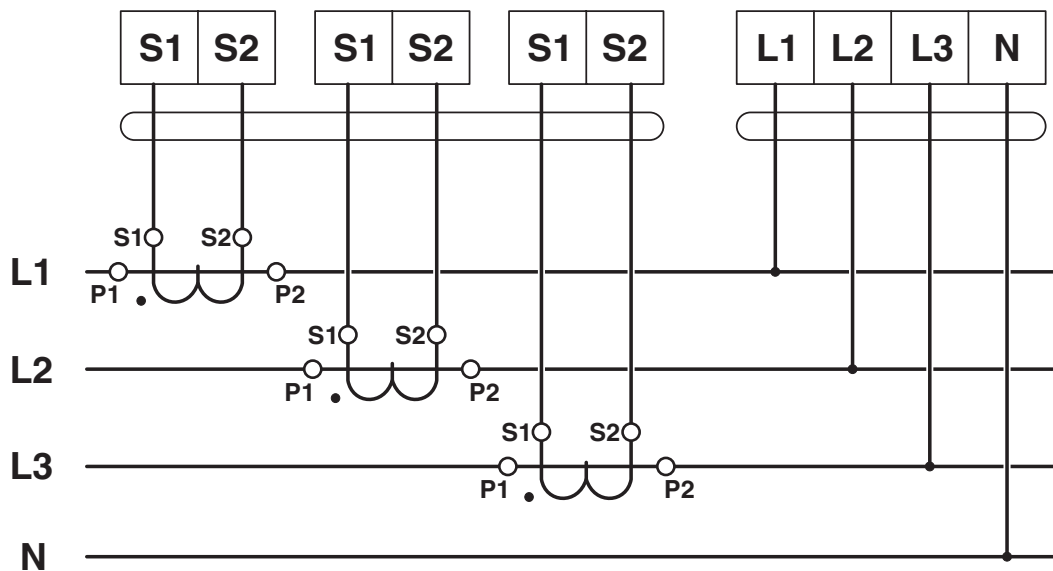
3212170

<https://www.phoenixcontact.com/us/products/3212170>

Circuit diagram



Circuit diagram



PTME 6 - Test disconnect terminal block

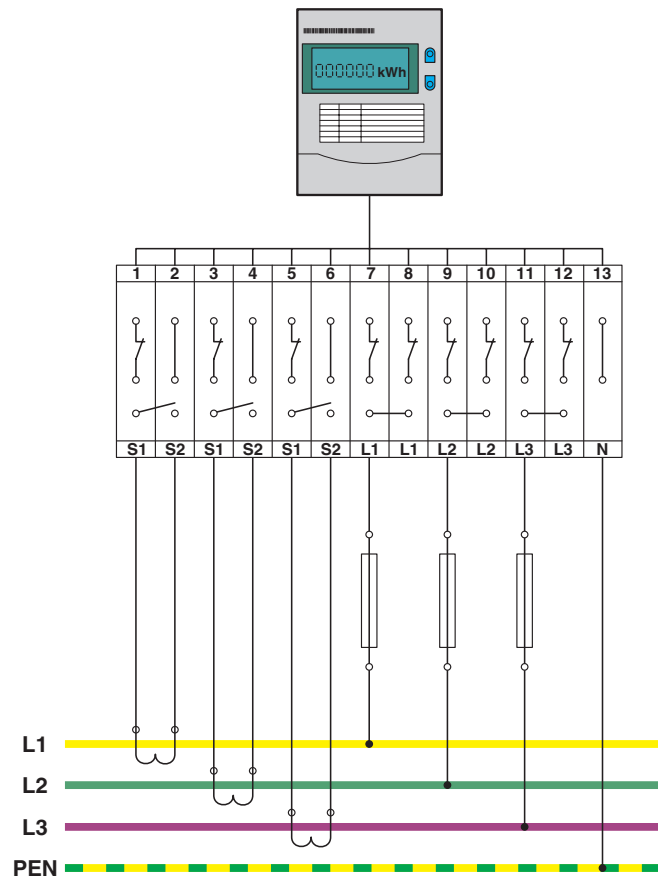
3212170

<https://www.phoenixcontact.com/us/products/3212170>

Circuit diagram



Circuit diagram



PTME 6 - Test disconnect terminal block



3212170

<https://www.phoenixcontact.com/us/products/3212170>

Approvals

To download certificates, visit the product detail page: <https://www.phoenixcontact.com/us/products/3212170>

CB **IECEE CB Scheme**
Approval ID: NL-37536

EAC **EAC**
Approval ID: RU C-DE.BL08.B.00644

KEMA-KEUR
Approval ID: 2183172.01

	Nominal voltage U_N	Nominal current I_N	Cross section AWG	Cross section mm^2
keine				
Only flexible conductors	500 V	30 A	-	0.5 - 6
Only rigid conductors	500 V	30 A	-	0.5 - 10

cULus Recognized
Approval ID: E60425

	Nominal voltage U_N	Nominal current I_N	Cross section AWG	Cross section mm^2
B				
	300 V	30 A	24 - 8	-
C				
	300 V	30 A	24 - 8	-
D				
	600 V	5 A	24 - 8	-
F				
	500 V	30 A	24 - 8	-

EAC **EAC**
Approval ID: KZ7500651131219505

CSA
Approval ID: 158887

	Nominal voltage U_N	Nominal current I_N	Cross section AWG	Cross section mm^2
B				
	300 V	30 A	20 - 8	-
C				
	300 V	30 A	20 - 8	-
D				

PTME 6 - Test disconnect terminal block



3212170

<https://www.phoenixcontact.com/us/products/3212170>

	600 V	5 A	20 - 8	-
--	-------	-----	--------	---

PTME 6 - Test disconnect terminal block



3212170

<https://www.phoenixcontact.com/us/products/3212170>

Classifications

ECLASS

ECLASS-13.0	27250109
ECLASS-15.0	27250109

ETIM

ETIM 10.0	EC000902
-----------	----------

UNSPSC

UNSPSC 21.0	39121400
-------------	----------

PTME 6 - Test disconnect terminal block



3212170

<https://www.phoenixcontact.com/us/products/3212170>

Environmental product compliance

EU RoHS

Fulfills EU RoHS substance requirements	Yes, No exemptions
---	--------------------

China RoHS

Environment friendly use period (EFUP)	EFUP-E
	No hazardous substances above the limits

EU REACH SVHC

REACH candidate substance (CAS No.)	No substance above 0.1 wt%
-------------------------------------	----------------------------

EF3.1 Climate Change

CO2e kg	0.166 kg CO2e
---------	---------------

Phoenix Contact 2026 © - all rights reserved
<https://www.phoenixcontact.com>

Phoenix Contact USA
586 Fulling Mill Road
Middletown, PA 17057, United States
(+717) 944-1300
info@phoenixcon.com