

# AI 1,5 - 8 RD-1000 - Ferrule

3202928

<https://www.phoenixcontact.com/us/products/3202928>

Please be informed that the data shown in this PDF document is generated from our online catalog. Please find the complete data in the user documentation. Our general terms of use for downloads are valid.

Ferrule, Length contact range: 8 mm, sleeve length: 14 mm, color: red



The figure shows the version AI 1-8 RD

## Your advantages

- The ferrules with plastic sleeve are made from soft tin-plated electrolytic copper

## Commercial data

Item number	3202928
Packing unit	1,000 pc
Minimum order quantity	1,000 pc
Sales key	BH34
Product key	BH3411
GTIN	4017918888886
Weight per piece (including packing)	113.79 MGM
Weight per piece (excluding packing)	111.5 MGM
Customs tariff number	85369010
Country of origin	DE

# AI 1,5 - 8 RD-1000 - Ferrule

3202928

<https://www.phoenixcontact.com/us/products/3202928>

## Technical data

### Product properties

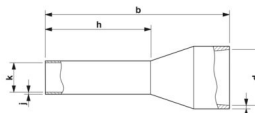
Product type	Cable end sleeve
Conductor category	stranded conductors, class 2, 5, 6 / B, C, K, M
Product property	UL certified
	Made from soft tin-plated electrolytic copper
	Correspond to the requirements of DIN 46228-4 and UL 486F in terms of size
	Plastic collar made of polypropylene
	Halogen-free
	Long/short-term temperature: +105°C/+120°C

### Connection data

#### Conductor connection

Conductor cross-section flexible max.	1.5 mm <sup>2</sup>
Conductor cross-section AWG max.	16
Stripping length	11 mm

### Dimensions

Dimensional drawing	
Sleeve length	14 mm
Length contact range	8 mm
Maximum stripping length	11 mm
Ferrule diameter	1.7 mm
Sleeve wall thickness	0.15 mm
Insulating collar thickness	0.3 mm
Inner dimensions of the insulating collar	3.4 mm

### Material specifications

Color	red (RAL 3001)
Material	CU-DHP
Flammability rating according to UL 94	HB
Coating	galvanically tin-plated
Surface characteristics	Tin-plated
Components	free from silicone and halogen

### Mechanical properties

#### Technical data

# AI 1,5 - 8 RD-1000 - Ferrule



3202928

<https://www.phoenixcontact.com/us/products/3202928>

Sleeve length	14 mm
---------------	-------

## Environmental and real-life conditions

### Ambient conditions

Permanent temperature	105 °C (-40 °C no load / 0 °C dynamic load)
Short-term temperature	120 °C

## Standards and regulations

Design according to standard	UL 486F-E, Sonderfarbe
------------------------------	------------------------

Drawings

Dimensional drawing



Sleeve length (b), length contact range (h), insulating collar inner dimension (d), sleeve diameter (k), insulating collar thickness (i), sleeve wall thickness (j)

# AI 1,5 - 8 RD-1000 - Ferrule

3202928

<https://www.phoenixcontact.com/us/products/3202928>



## Approvals

To download certificates, visit the product detail page: <https://www.phoenixcontact.com/us/products/3202928>



**cULus Listed**

Approval ID: E488001

# AI 1,5 - 8 RD-1000 - Ferrule



3202928

<https://www.phoenixcontact.com/us/products/3202928>

## Classifications

### ECLASS

ECLASS-13.0	27400201
ECLASS-15.0	27400201

### ETIM

ETIM 10.0	EC000005
-----------	----------

### UNSPSC

UNSPSC 21.0	27121700
-------------	----------

# AI 1,5 - 8 RD-1000 - Ferrule



3202928

<https://www.phoenixcontact.com/us/products/3202928>

## Environmental product compliance

### EU RoHS

Fulfills EU RoHS substance requirements	Yes, No exemptions
---	--------------------

### China RoHS

Environment friendly use period (EFUP)	EFUP-E
	No hazardous substances above the limits

### EU REACH SVHC

REACH candidate substance (CAS No.)	No substance above 0.1 wt%
-------------------------------------	----------------------------

### EF3.1 Climate Change

CO2e kg	0.001 kg CO2e
---------	---------------

Phoenix Contact 2026 © - all rights reserved  
<https://www.phoenixcontact.com>

Phoenix Contact USA  
586 Fulling Mill Road  
Middletown, PA 17057, United States  
(+717) 944-1300  
[info@phoenixcon.com](mailto:info@phoenixcon.com)