

# AI 0,34- 8 TQ - Ferrule

3200865

<https://www.phoenixcontact.com/us/products/3200865>

Please be informed that the data shown in this PDF document is generated from our online catalog. Please find the complete data in the user documentation. Our general terms of use for downloads are valid.

Ferrule, color: turquoise



The figure shows the version AI 2,5-12 BU

## Commercial data

Item number	3200865
Packing unit	1 pc
Note	Made to order (non-returnable)
Sales key	BH34
Product key	BH3411
GTIN	4017918094416
Weight per piece (including packing)	90 MGM
Weight per piece (excluding packing)	50 MGM
Customs tariff number	74152900
Country of origin	DE

# AI 0,34- 8 TQ - Ferrule

3200865

<https://www.phoenixcontact.com/us/products/3200865>

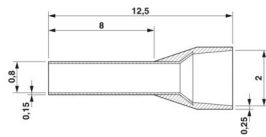


## Technical data

### Connection data

Cross section AWG	22 ... 22 (converted acc. to IEC)
Conductor cross-section flexible	0.34 mm <sup>2</sup> ... 0.34 mm <sup>2</sup>

### Dimensions

Dimensional drawing	
Sleeve length	8 mm
Ferrule diameter	0.8 mm
Sleeve wall thickness	0.2 mm
Insulating collar thickness	0.3 mm
Inner dimensions of the insulating collar	2 mm

### Material specifications

Color	pastel turquoise (RAL 6034)
Material	CU-DHP
Coating	galvanically tin-plated
Components	free from silicone and halogen

### Mechanical properties

#### Technical data

Sleeve length	8 mm
---------------	------

### Environmental and real-life conditions

#### Ambient conditions

Permanent temperature	105 °C (-40 °C no load / 0 °C dynamic load)
Short-term temperature	120 °C

# AI 0,34- 8 TQ - Ferrule

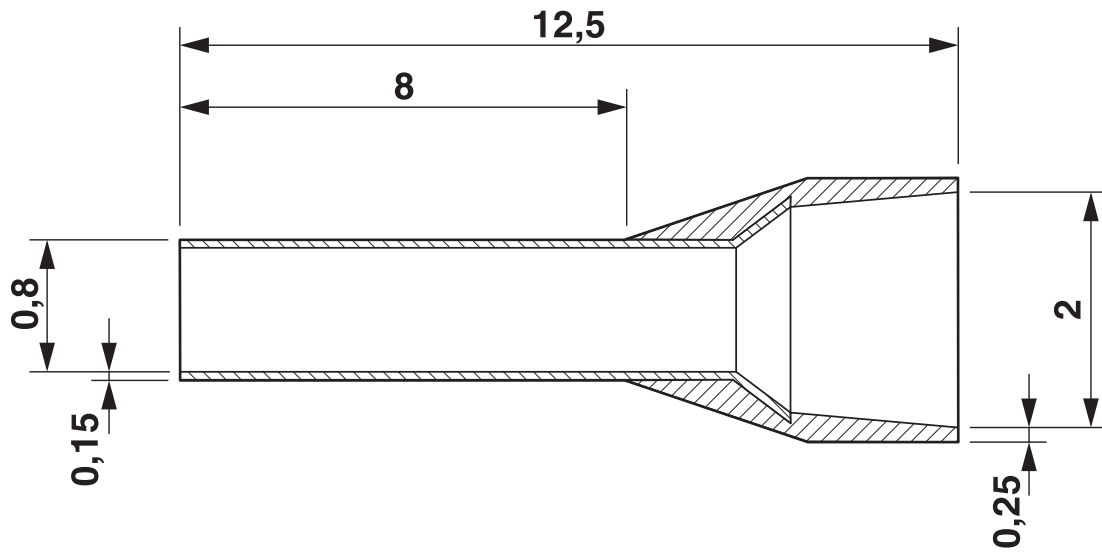
3200865

<https://www.phoenixcontact.com/us/products/3200865>



## Drawings

Dimensional drawing



# AI 0,34- 8 TQ - Ferrule

3200865

<https://www.phoenixcontact.com/us/products/3200865>



## Environmental product compliance

EU REACH SVHC

REACH candidate substance (CAS No.)	No substance above 0.1 wt%
-------------------------------------	----------------------------

Phoenix Contact 2026 © - all rights reserved

<https://www.phoenixcontact.com>

Phoenix Contact USA  
586 Fulling Mill Road  
Middletown, PA 17057, United States  
(+717) 944-1300  
[info@phoenixcon.com](mailto:info@phoenixcon.com)