

# AI 6 -12 YE - Ferrule

3200548

<https://www.phoenixcontact.com/us/products/3200548>



Please be informed that the data shown in this PDF document is generated from our online catalog. Please find the complete data in the user documentation. Our general terms of use for downloads are valid.

Ferrule, Length contact range: 12 mm, sleeve length: 20 mm, color: yellow



## Your advantages

- The ferrules with plastic sleeve are made from soft tin-plated electrolytic copper
- The insulation reliability of close connections is increased and the splicing of wires is prevented

## Commercial data

|                                      |               |
|--------------------------------------|---------------|
| Item number                          | 3200548       |
| Packing unit                         | 100 pc        |
| Minimum order quantity               | 100 pc        |
| Sales key                            | BH34          |
| Product key                          | BH3411        |
| GTIN                                 | 4017918094157 |
| Weight per piece (including packing) | 0.411 g       |
| Weight per piece (excluding packing) | 0.411 g       |
| Customs tariff number                | 85369010      |
| Country of origin                    | DE            |

# AI 6 -12 YE - Ferrule

3200548

<https://www.phoenixcontact.com/us/products/3200548>



## Technical data

### Product properties

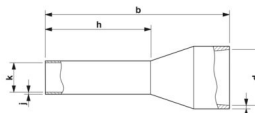
|                  |  |
|------------------|--|
| Product type     | Cable end sleeve   |
| Set comprises    | 1202072 CRIMPSET 6   |
| Product property | UL certified   |
|                  | Made from soft tin-plated electrolytic copper                              |
|                  | Correspond to the requirements of DIN 46228-4 and UL 486F in terms of size |
|                  | Plastic collar made of polypropylene                                       |
|                  | Halogen-free   |
|                  | Long/short-term temperature: +105°C/+120°C                                 |

### Connection data

#### Conductor connection

|                                       |                   |
|---------------------------------------|-------------------|
| Conductor cross-section flexible max. | 6 mm <sup>2</sup> |
| Conductor cross-section AWG max.      | 10                |
| Stripping length                      | 15 mm             |

### Dimensions

|   |  |
|---|--|
| Dimensional drawing                       |  |
| Sleeve length                             | 20 mm  |
| Length contact range                      | 12 mm  |
| Maximum stripping length                  | 15 mm  |
| Ferrule diameter                          | 3.5 mm   |
| Sleeve wall thickness                     | 0.2 mm   |
| Insulating collar thickness               | 0.3 mm   |
| Inner dimensions of the insulating collar | 6.2 mm   |

### Material specifications

|  |                                |
|--|--------------------------------|
| Color                                  | yellow (RAL 1018)              |
| Material                               | CU-DHP                         |
| Flammability rating according to UL 94 | HB                             |
| Coating                                | galvanically tin-plated        |
| Surface characteristics                | Tin-plated                     |
| Components                             | free from silicone and halogen |

### Mechanical properties

#### Technical data

# AI 6 -12 YE - Ferrule

3200548

<https://www.phoenixcontact.com/us/products/3200548>



|               |       |
|---------------|-------|
| Sleeve length | 20 mm |
|---------------|-------|

## Environmental and real-life conditions

### Ambient conditions

|                        |   |
|------------------------|---|
| Permanent temperature  | 105 °C (-40 °C no load / 0 °C dynamic load) |
| Short-term temperature | 120 °C                                      |

## Standards and regulations

|                              |                        |
|------------------------------|------------------------|
| Design according to standard | DIN 46228-4, UL 486F-E |
|------------------------------|------------------------|

Drawings

Dimensional drawing



Sleeve length (b), length contact range (h), insulating collar inner dimension (d), sleeve diameter (k), insulating collar thickness (i), sleeve wall thickness (j)

# AI 6 -12 YE - Ferrule

3200548

<https://www.phoenixcontact.com/us/products/3200548>



## Approvals

To download certificates, visit the product detail page: <https://www.phoenixcontact.com/us/products/3200548>



**cULus Listed**

Approval ID: E488001

# AI 6 -12 YE - Ferrule

3200548

<https://www.phoenixcontact.com/us/products/3200548>



## Classifications

### ECLASS

|             |          |
|-------------|----------|
| ECLASS-13.0 | 27400201 |
| ECLASS-15.0 | 27400201 |

### ETIM

|           |          |
|-----------|----------|
| ETIM 10.0 | EC000005 |
|-----------|----------|

### UNSPSC

|             |          |
|-------------|----------|
| UNSPSC 21.0 | 27121700 |
|-------------|----------|

# AI 6 -12 YE - Ferrule



3200548

<https://www.phoenixcontact.com/us/products/3200548>

## Environmental product compliance

### EU RoHS

|   |                    |
|---|--------------------|
| Fulfills EU RoHS substance requirements | Yes, No exemptions |
|---|--------------------|

### China RoHS

|  |  |
|--|--|
| Environment friendly use period (EFUP) | EFUP-E                                   |
|  | No hazardous substances above the limits |

### EU REACH SVHC

|                                     |                            |
|-------------------------------------|----------------------------|
| REACH candidate substance (CAS No.) | No substance above 0.1 wt% |
|-------------------------------------|----------------------------|

### EF3.1 Climate Change

|         |               |
|---------|---------------|
| CO2e kg | 0.003 kg CO2e |
|---------|---------------|

Phoenix Contact 2026 © - all rights reserved  
<https://www.phoenixcontact.com>

Phoenix Contact USA  
586 Fulling Mill Road  
Middletown, PA 17057, United States  
(+717) 944-1300  
[info@phoenixcon.com](mailto:info@phoenixcon.com)