

# AI 2,5 -12 GY - Ferrule

3200205

<https://www.phoenixcontact.com/us/products/3200205>

Please be informed that the data shown in this PDF document is generated from our online catalog. Please find the complete data in the user documentation. Our general terms of use for downloads are valid.

Ferrule, Length contact range: 12 mm, sleeve length: 18 mm, color: gray



## Your advantages

- The color code of the plastic insulating collar is based on the French standard NF C 63-023: 1994-02
- In terms of dimensions, these ferrules conform to DIN 46228-4: 1990-09
- The metal sleeves are made from soft tin-plated electrolytic copper

## Commercial data

Item number	3200205
Packing unit	100 pc
Minimum order quantity	100 pc
Sales key	BH34
Product key	BH3411
GTIN	4017918093853
Weight per piece (including packing)	0.201 g
Weight per piece (excluding packing)	0.19 g
Customs tariff number	85369010
Country of origin	DE

# AI 2,5 -12 GY - Ferrule

3200205

<https://www.phoenixcontact.com/us/products/3200205>

## Technical data

### Product properties

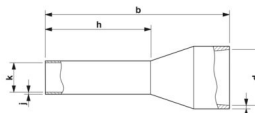
Product type	Cable end sleeve
Conductor category	stranded conductors, class 2, 5, 6 / B, C, K, M
Product property	UL certified
	Made from soft tin-plated electrolytic copper
	Correspond to the requirements of DIN 46228-4 and UL 486F in terms of size
	Plastic collar made of polypropylene
	Halogen-free
	Long/short-term temperature: +105°C/+120°C

### Connection data

#### Conductor connection

Conductor cross-section flexible max.	2.5 mm <sup>2</sup>
Conductor cross-section AWG max.	14
Stripping length	15 mm

### Dimensions

Dimensional drawing	
Sleeve length	18 mm
Length contact range	12 mm
Maximum stripping length	15 mm
Ferrule diameter	2.3 mm
Sleeve wall thickness	0.15 mm
Insulating collar thickness	0.3 mm
Inner dimensions of the insulating collar	4.2 mm

### Material specifications

Color	gray (RAL 7042)
Material	CU-DHP
Flammability rating according to UL 94	HB
Coating	galvanically tin-plated
Surface characteristics	Tin-plated
Components	free from silicone and halogen

### Mechanical properties

#### Technical data

# AI 2,5 -12 GY - Ferrule



3200205

<https://www.phoenixcontact.com/us/products/3200205>

Sleeve length	18 mm
---------------	-------

## Environmental and real-life conditions

### Ambient conditions

Permanent temperature	105 °C (-40 °C no load / 0 °C dynamic load)
Short-term temperature	120 °C

## Standards and regulations

Design according to standard	UL 486F-E, NF C 63-023
------------------------------	------------------------

## Drawings

Dimensional drawing



Sleeve length (b), length contact range (h), insulating collar inner dimension (d), sleeve diameter (k), insulating collar thickness (i), sleeve wall thickness (j)

# AI 2,5 -12 GY - Ferrule

3200205

<https://www.phoenixcontact.com/us/products/3200205>



## Approvals

To download certificates, visit the product detail page: <https://www.phoenixcontact.com/us/products/3200205>



**cULus Listed**

Approval ID: E488001

# AI 2,5 -12 GY - Ferrule



3200205

<https://www.phoenixcontact.com/us/products/3200205>

## Classifications

### ECLASS

ECLASS-13.0	27400201
ECLASS-15.0	27400201

### ETIM

ETIM 10.0	EC000005
-----------	----------

### UNSPSC

UNSPSC 21.0	27121700
-------------	----------

# AI 2,5 -12 GY - Ferrule



3200205

<https://www.phoenixcontact.com/us/products/3200205>

## Environmental product compliance

### EU RoHS

Fulfills EU RoHS substance requirements	Yes, No exemptions
---	--------------------

### China RoHS

Environment friendly use period (EFUP)	EFUP-E
	No hazardous substances above the limits

### EU REACH SVHC

REACH candidate substance (CAS No.)	No substance above 0.1 wt%
-------------------------------------	----------------------------

### EF3.1 Climate Change

CO2e kg	0.003 kg CO2e
---------	---------------

Phoenix Contact 2026 © - all rights reserved  
<https://www.phoenixcontact.com>

Phoenix Contact USA  
586 Fulling Mill Road  
Middletown, PA 17057, United States  
(+717) 944-1300  
[info@phoenixcon.com](mailto:info@phoenixcon.com)