

# MSTBC-MT 0,5-1,0 BA - Crimp contact



3190645

<https://www.phoenixcontact.com/us/products/3190645>

Please be informed that the data shown in this PDF document is generated from our online catalog. Please find the complete data in the user documentation. Our general terms of use for downloads are valid.



Module female contact, is inserted into the MSTBC connector shell after the conductor has been crimped, for conductors from 0.5 - 1.0 mm<sup>2</sup>, ribbon contact

Supplied in tape form - please note the drawing.

## Commercial data

Item number	3190645
Packing unit	4,000 pc
Minimum order quantity	4,000 pc
Sales key	AA03
Product key	AACCEG
GTIN	4017918117436
Weight per piece (including packing)	0.7 g
Weight per piece (excluding packing)	0.69 g
Customs tariff number	85366990
Country of origin	CN

# MSTBC-MT 0,5-1,0 BA - Crimp contact



3190645

<https://www.phoenixcontact.com/us/products/3190645>

## Technical data

### Product properties

Product type	Crimp contact
Product family	MSTBC-MT
Pitch	0 mm

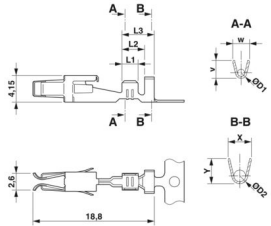
### Connection data

Connection method	Crimp connection
Contact connection type	Socket
Stripping length	4 mm ... 4.1 mm
Conductor cross-section flexible	0.5 mm <sup>2</sup> ... 1 mm <sup>2</sup>
Conductor cross-section AWG	20 ... 18
Wire diameter including insulation	1.4 mm ... 2.3 mm

### Material specifications

Contact surface	Tin Sn
Contact surface material	Tin
Metal surface contact area (top layer)	Tin Sn)

### Dimensions

Dimensional drawing	
Pitch	-

### Electrical properties

Nominal current $I_N$	12 A
-----------------------	------

### Packaging specifications

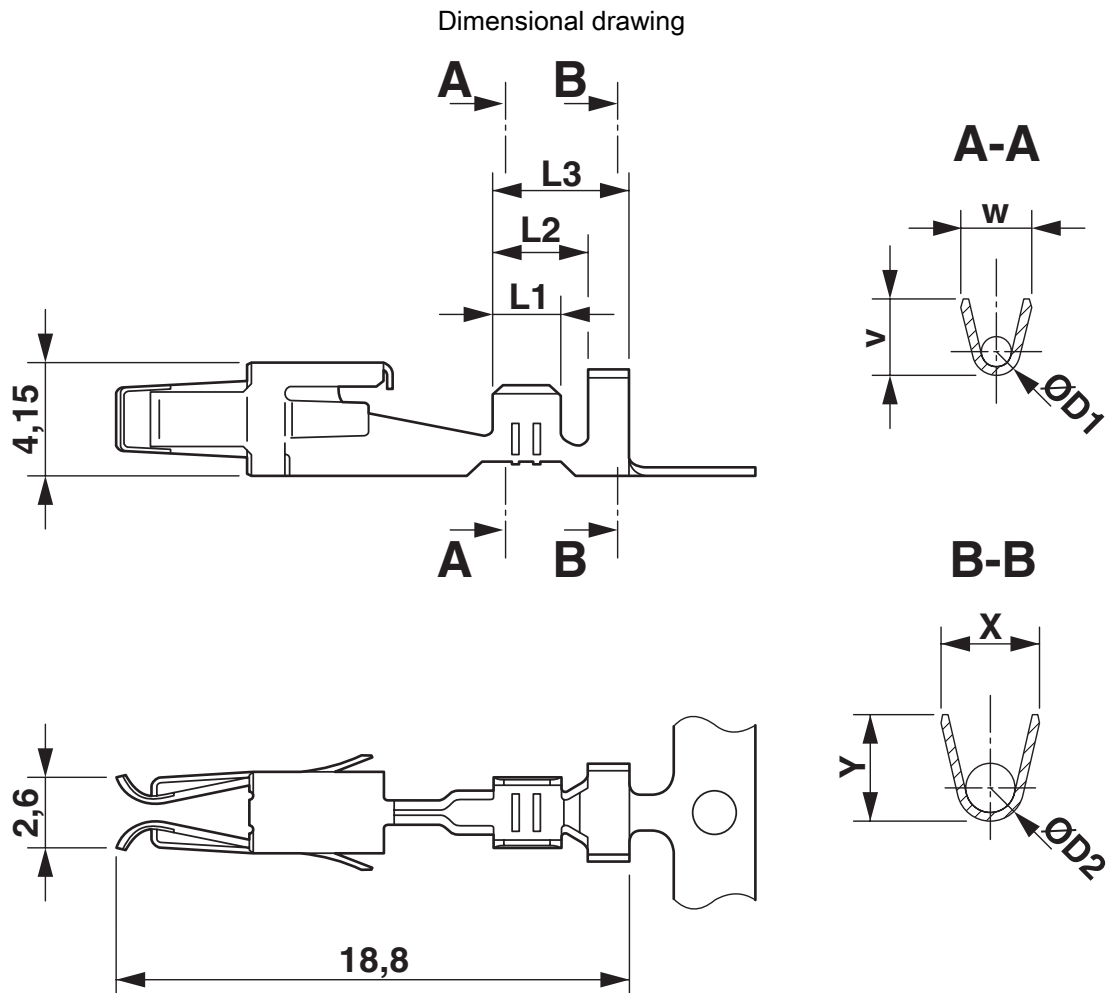
Type of packaging	Belt
-------------------	------

# MSTBC-MT 0,5-1,0 BA - Crimp contact

3190645

<https://www.phoenixcontact.com/us/products/3190645>

## Drawings



# MSTBC-MT 0,5-1,0 BA - Crimp contact



3190645

<https://www.phoenixcontact.com/us/products/3190645>

## Classifications

### ECLASS

ECLASS-13.0	27460403
ECLASS-15.0	27460403

### ETIM

ETIM 10.0	EC000796
-----------	----------

### UNSPSC

UNSPSC 21.0	39121500
-------------	----------

# MSTBC-MT 0,5-1,0 BA - Crimp contact



3190645

<https://www.phoenixcontact.com/us/products/3190645>

## Environmental product compliance

### EU RoHS

Fulfills EU RoHS substance requirements	Yes, No exemptions
---	--------------------

### China RoHS

Environment friendly use period (EFUP)	EFUP-E
	No hazardous substances above the limits

### EU REACH SVHC

REACH candidate substance (CAS No.)	No substance above 0.1 wt%
-------------------------------------	----------------------------

### EF3.1 Climate Change

CO2e kg	0.008 kg CO2e
---------	---------------

Phoenix Contact 2026 © - all rights reserved  
<https://www.phoenixcontact.com>

Phoenix Contact USA  
586 Fulling Mill Road  
Middletown, PA 17057, United States  
(+717) 944-1300  
[info@phoenixcon.com](mailto:info@phoenixcon.com)