

# ICC-MT 1,5-2,5 BA - Crimp contact



3190593

<https://www.phoenixcontact.com/us/products/3190593>

Please be informed that the data shown in this PDF document is generated from our online catalog. Please find the complete data in the user documentation. Our general terms of use for downloads are valid.



Module male contact, is inserted into the ICC connector shell after the conductor has been crimped, for conductors from 1.5-2.5 mm<sup>2</sup>, ribbon contact

Supplied in tape form - please note the drawing.

## Commercial data

Item number	3190593
Packing unit	4,000 pc
Minimum order quantity	4,000 pc
Sales key	AA03
Product key	AACCBE
GTIN	4017918100599
Weight per piece (including packing)	0.99 g
Weight per piece (excluding packing)	3.8 g
Customs tariff number	85389099
Country of origin	DE

# ICC-MT 1,5-2,5 BA - Crimp contact

3190593

<https://www.phoenixcontact.com/us/products/3190593>

## Technical data

### Product properties

Product type	Crimp contact
Product family	ICC-MT
Pitch	0 mm

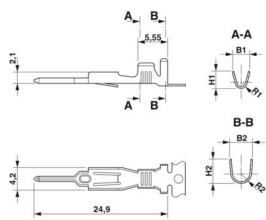
### Connection data

Connection method	Crimp connection
Contact connection type	Pin
Stripping length	4 mm ... 4.1 mm
Conductor cross-section flexible	1.5 mm <sup>2</sup> ... 2.5 mm <sup>2</sup>
Conductor cross-section AWG	16 ... 14
Wire diameter including insulation	2.11 mm ... 3.1 mm

### Material specifications

Contact surface	Tin Sn
Contact surface material	Tin
Metal surface contact area (top layer)	Tin Sn)

### Dimensions

Dimensional drawing	
Pitch	-

### Electrical properties

Nominal current $I_N$	12 A
-----------------------	------

# ICC-MT 1,5-2,5 BA - Crimp contact

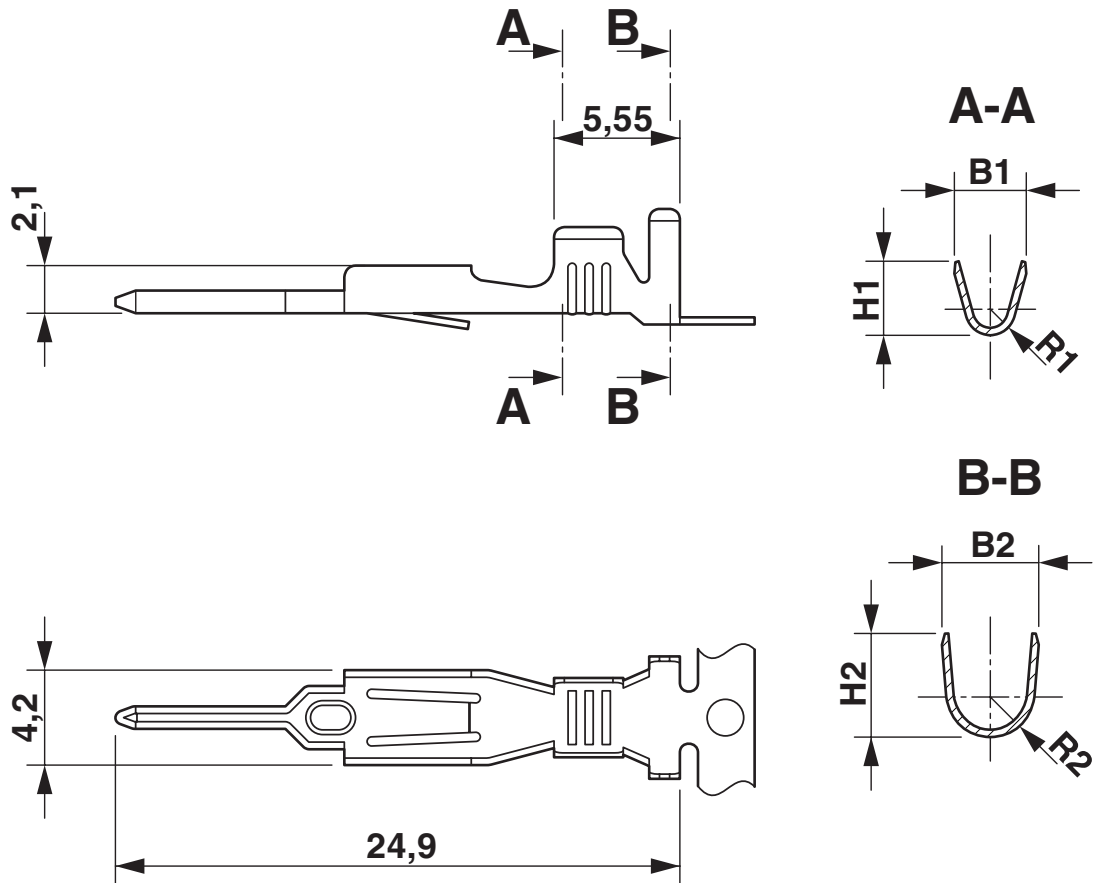
3190593

<https://www.phoenixcontact.com/us/products/3190593>



## Drawings

Dimensional drawing



# ICC-MT 1,5-2,5 BA - Crimp contact



3190593

<https://www.phoenixcontact.com/us/products/3190593>

## Classifications

### ECLASS

ECLASS-13.0	27460403
ECLASS-15.0	27460403

### ETIM

ETIM 10.0	EC000796
-----------	----------

### UNSPSC

UNSPSC 21.0	39121500
-------------	----------

# ICC-MT 1,5-2,5 BA - Crimp contact



3190593

<https://www.phoenixcontact.com/us/products/3190593>

## Environmental product compliance

### EU RoHS

Fulfills EU RoHS substance requirements	Yes, No exemptions
---	--------------------

### China RoHS

Environment friendly use period (EFUP)	EFUP-E
	No hazardous substances above the limits

### EU REACH SVHC

REACH candidate substance (CAS No.)	No substance above 0.1 wt%
-------------------------------------	----------------------------

### EF3.1 Climate Change

CO2e kg	0 kg CO2e
---------	-----------

Phoenix Contact 2026 © - all rights reserved  
<https://www.phoenixcontact.com>

Phoenix Contact USA  
586 Fulling Mill Road  
Middletown, PA 17057, United States  
(+717) 944-1300  
[info@phoenixcon.com](mailto:info@phoenixcon.com)