

ICC-MT 1,5-2,5 - Crimp contact



3190580

<https://www.phoenixcontact.com/us/products/3190580>

Please be informed that the data shown in this PDF document is generated from our online catalog. Please find the complete data in the user documentation. Our general terms of use for downloads are valid.



Module male contact, is inserted into the ICC connector shell after the conductor has been crimped, for conductors from 1.5-2.5 mm²

Commercial data

Item number	3190580
Packing unit	100 pc
Minimum order quantity	100 pc
Sales key	AA03
Product key	AACCBE
GTIN	4017918093419
Weight per piece (including packing)	0.36 g
Weight per piece (excluding packing)	0.343 g
Customs tariff number	85366990
Country of origin	PL

ICC-MT 1,5-2,5 - Crimp contact

3190580

<https://www.phoenixcontact.com/us/products/3190580>

Technical data

Product properties

Product type	Crimp contact
Product family	ICC-MT
Pitch	0 mm

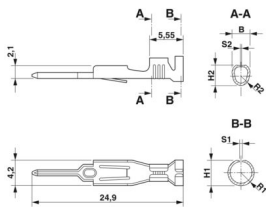
Connection data

Connection method	Crimp connection
Contact connection type	Pin
Stripping length	4 mm ... 4.1 mm
Conductor cross-section flexible	1.5 mm ² ... 2.5 mm ²
Conductor cross-section AWG	16 ... 14
Wire diameter including insulation	2.11 mm ... 3.1 mm

Material specifications

Contact surface	Tin Sn
Contact surface material	Tin
Metal surface contact area (top layer)	Tin Sn)

Dimensions

Dimensional drawing	
Pitch	-

Electrical properties

Nominal current I_N	12 A
-----------------------	------

Packaging specifications

Type of packaging	Bulk goods
-------------------	------------

ICC-MT 1,5-2,5 - Crimp contact

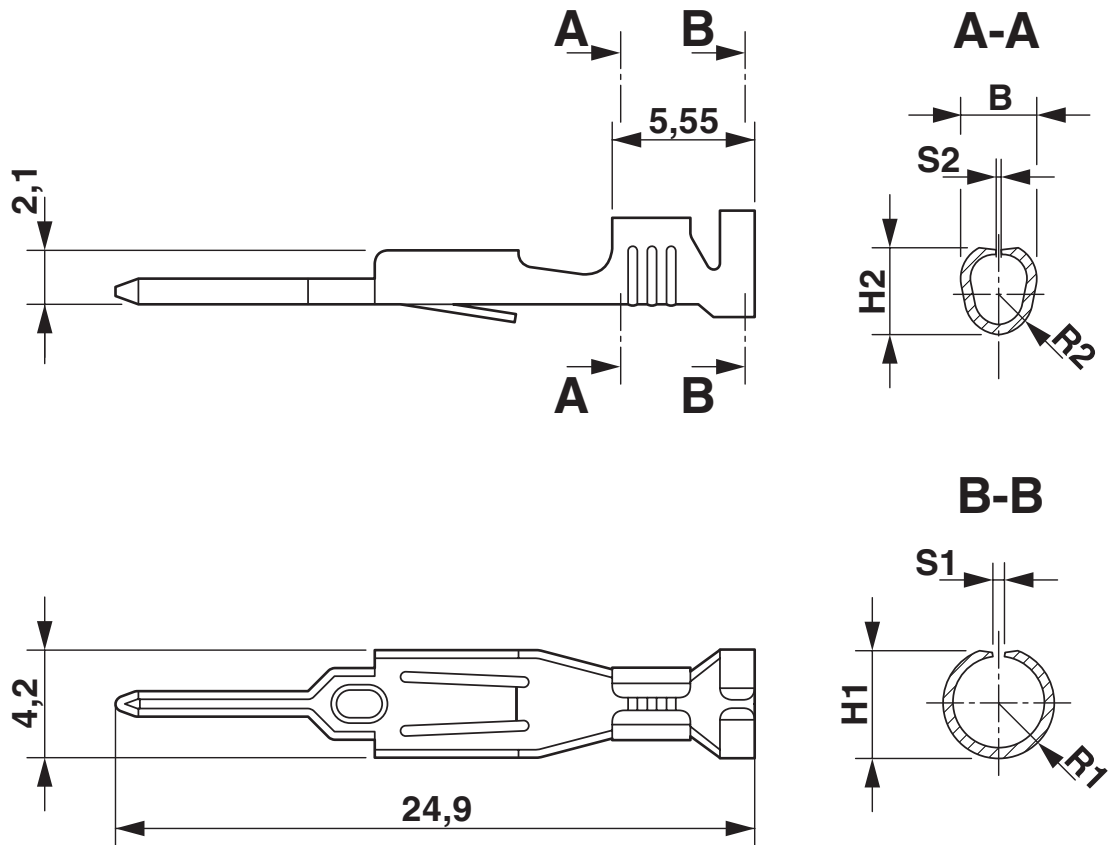
3190580

<https://www.phoenixcontact.com/us/products/3190580>



Drawings

Dimensional drawing



ICC-MT 1,5-2,5 - Crimp contact



3190580

<https://www.phoenixcontact.com/us/products/3190580>

Classifications

ECLASS

ECLASS-13.0	27460403
ECLASS-15.0	27460403

ETIM

ETIM 10.0	EC000796
-----------	----------

UNSPSC

UNSPSC 21.0	39121500
-------------	----------

ICC-MT 1,5-2,5 - Crimp contact



3190580

<https://www.phoenixcontact.com/us/products/3190580>

Environmental product compliance

EU RoHS

Fulfills EU RoHS substance requirements	Yes, No exemptions
---	--------------------

China RoHS

Environment friendly use period (EFUP)	EFUP-E
	No hazardous substances above the limits

EU REACH SVHC

REACH candidate substance (CAS No.)	No substance above 0.1 wt%
-------------------------------------	----------------------------

EF3.1 Climate Change

CO2e kg	0.005 kg CO2e
---------	---------------

Phoenix Contact 2026 © - all rights reserved
<https://www.phoenixcontact.com>

Phoenix Contact USA
586 Fulling Mill Road
Middletown, PA 17057, United States
(+717) 944-1300
info@phoenixcon.com