

# STG-MTN 0,5-1,0 - Crimp contact



3190438

<https://www.phoenixcontact.com/us/products/3190438>

Please be informed that the data shown in this PDF document is generated from our online catalog. Please find the complete data in the user documentation. Our general terms of use for downloads are valid.



Module socket contact, inserted in the PCC or HCC plug housing after crimping the conductor, for 0.5 mm<sup>2</sup> ... 1.0 mm<sup>2</sup> conductors

## Commercial data

Item number	3190438
Packing unit	100 pc
Minimum order quantity	100 pc
Sales key	AA03
Product key	AACCEG
GTIN	4017918093341
Weight per piece (including packing)	0.422 g
Weight per piece (excluding packing)	0.405 g
Customs tariff number	85366990
Country of origin	CN



# STG-MTN 0,5-1,0 - Crimp contact

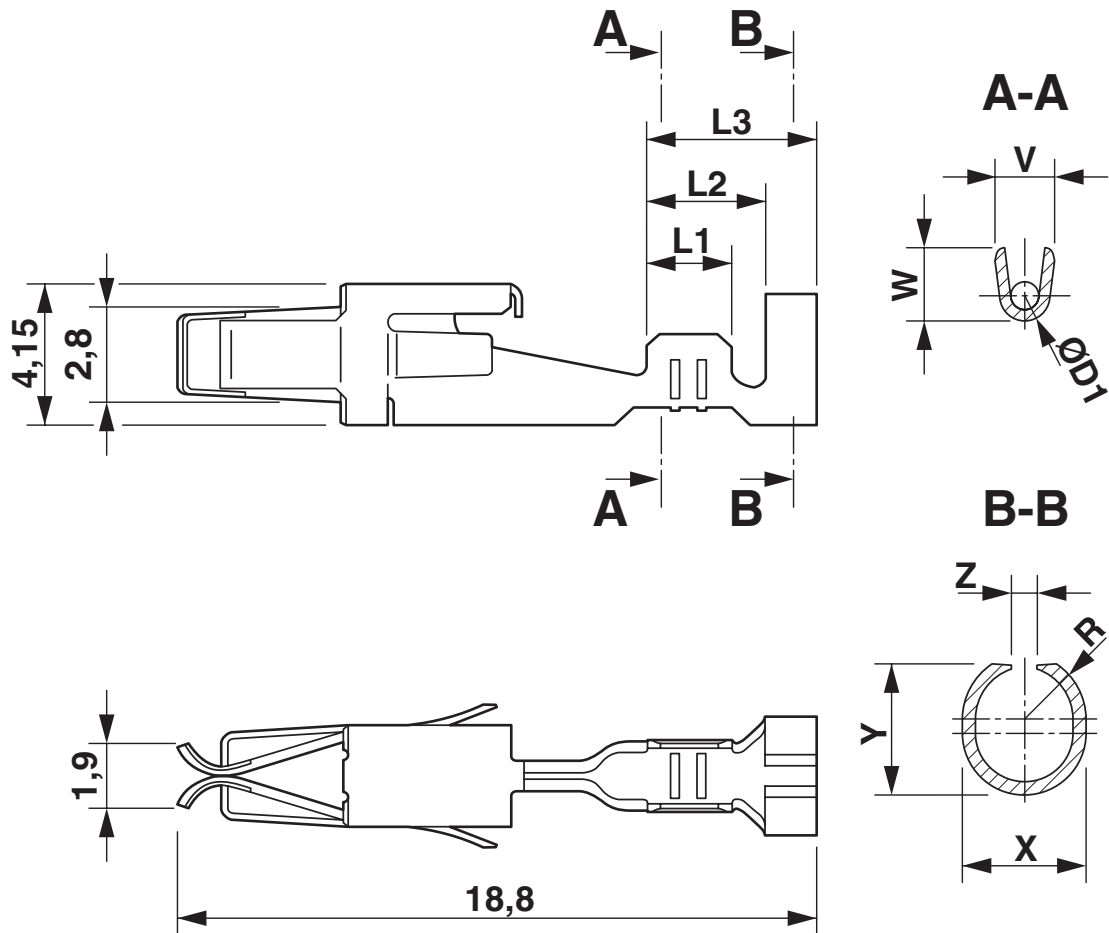
3190438

<https://www.phoenixcontact.com/us/products/3190438>



## Drawings

Dimensional drawing



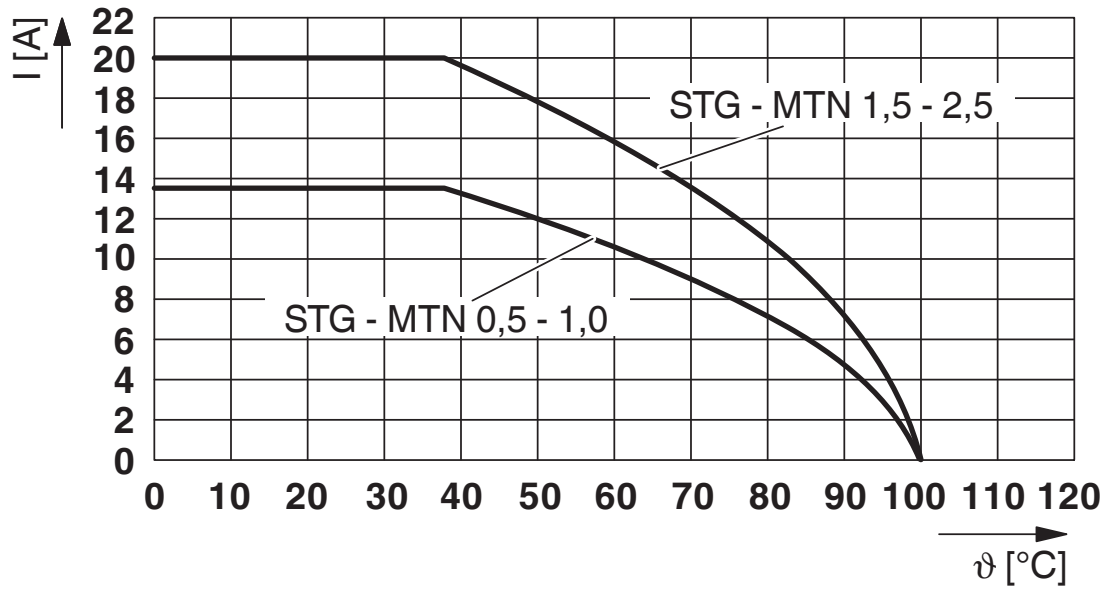
# STG-MTN 0,5-1,0 - Crimp contact



3190438

<https://www.phoenixcontact.com/us/products/3190438>

Diagram



# STG-MTN 0,5-1,0 - Crimp contact



3190438

<https://www.phoenixcontact.com/us/products/3190438>

## Classifications

### ECLASS

ECLASS-15.0	27469090
ECLASS-13.0	27469090

### ETIM

ETIM 10.0	EC002943
-----------	----------

### UNSPSC

UNSPSC 21.0	39121400
-------------	----------

# STG-MTN 0,5-1,0 - Crimp contact



3190438

<https://www.phoenixcontact.com/us/products/3190438>

## Environmental product compliance

### China RoHS

Environment friendly use period (EFUP)	EFUP-E
	No hazardous substances above the limits

### EU REACH SVHC

REACH candidate substance (CAS No.)	No substance above 0.1 wt%
-------------------------------------	----------------------------

Phoenix Contact 2026 © - all rights reserved  
<https://www.phoenixcontact.com>

Phoenix Contact USA  
586 Fulling Mill Road  
Middletown, PA 17057, United States  
(+717) 944-1300  
[info@phoenixcon.com](mailto:info@phoenixcon.com)