

UKH 95-3L/N/FE-F - High-current terminal block



3076617

<https://www.phoenixcontact.com/us/products/3076617>

Please be informed that the data shown in this PDF document is generated from our online catalog. Please find the complete data in the user documentation. Our general terms of use for downloads are valid.



High-current terminal block, nom. voltage: 1000 V, nominal current: 232 A, number of connections: 10, number of positions: 5, connection method: Screw connection, Rated cross section: 95 mm², cross section: 25 mm² - 95 mm², mounting type: direct screw connection, color: gray/blue/black-yellow

for direct mounting

Commercial data

Item number	3076617
Packing unit	2 pc
Minimum order quantity	1 pc
Product key	BE1311
GTIN	4046356654197
Weight per piece (including packing)	1,130 g
Weight per piece (excluding packing)	1,130 g
Country of origin	PL

3076617

<https://www.phoenixcontact.com/us/products/3076617>

Technical data

Product properties

Product type	High current terminal block
Number of positions	5
Number of connections	10
Number of rows	1
Potentials	5

Insulation characteristics

Overvoltage category	III
Degree of pollution	3

Electrical properties

Rated surge voltage	8 kV
---------------------	------

Connection data

Number of connections per level	10
Nominal cross section	95 mm ²

Level 1 above 1 below 1

Connection method	Screw connection
Screw thread	M8
Note	Screws with hexagonal socket
Tightening torque	15 ... 20 Nm
Stripping length	33 mm
Connection in acc. with standard	IEC 60947-7-1
Conductor cross-section rigid	25 mm ² ... 95 mm ²
Cross section AWG	4 ... 3/0 (converted acc. to IEC)
Conductor cross-section flexible	35 mm ² ... 95 mm ²
Conductor cross-section, flexible [AWG]	2 ... 3/0 (converted acc. to IEC)
Conductor cross-section flexible (ferrule without plastic sleeve)	35 mm ² ... 95 mm ²
Flexible conductor cross-section (ferrule with plastic sleeve)	35 mm ² ... 95 mm ²
Cross-section with insertion bridge, rigid	95 mm ²
Cross-section with insertion bridge, flexible	70 mm ²
2 conductors with same cross section, rigid	25 mm ² ... 35 mm ²
2 conductors with same cross section, flexible	25 mm ² ... 35 mm ²
2 conductors with same cross section, flexible, with ferrule without plastic sleeve	16 mm ² ... 35 mm ²
Nominal cross section	95 mm ²
Nominal current	232 A
Maximum load current	232 A
Nominal voltage	1000 V
Note	Note: Product releases, connection cross sections and notes on connecting aluminum cables can be found in the download area.

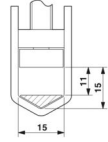
UKH 95-3L/N/FE-F - High-current terminal block



3076617

<https://www.phoenixcontact.com/us/products/3076617>

Dimensions

Dimensional drawing	
Width	125 mm
Height	90 mm

Material specifications

Color	gray/blue/black-yellow
Flammability rating according to UL 94	V0
Insulating material group	I
Insulating material	PA
Static insulating material application in cold	-60 °C
Temperature index of insulation material (DIN EN 60216-1 (VDE 0304-21))	130 °C
Relative insulation material temperature index (Elec., UL 746 B)	130 °C
Fire protection for rail vehicles (DIN EN 45545-2) R22	HL 1 - HL 3
Fire protection for rail vehicles (DIN EN 45545-2) R23	HL 1 - HL 3
Fire protection for rail vehicles (DIN EN 45545-2) R24	HL 1 - HL 3
Fire protection for rail vehicles (DIN EN 45545-2) R26	HL 1 - HL 3
Calorimetric heat release NFPA 130 (ASTM E 1354)	28 MJ/kg
Surface flammability NFPA 130 (ASTM E 162)	passed
Specific optical density of smoke NFPA 130 (ASTM E 662)	passed
Smoke gas toxicity NFPA 130 (SMP 800C)	passed

Mechanical properties

Mechanical data

Open side panel	No
-----------------	----

Standards and regulations

Connection in acc. with standard	IEC 60947-7-1
----------------------------------	---------------

Mounting

Mounting type	direct screw connection
---------------	-------------------------

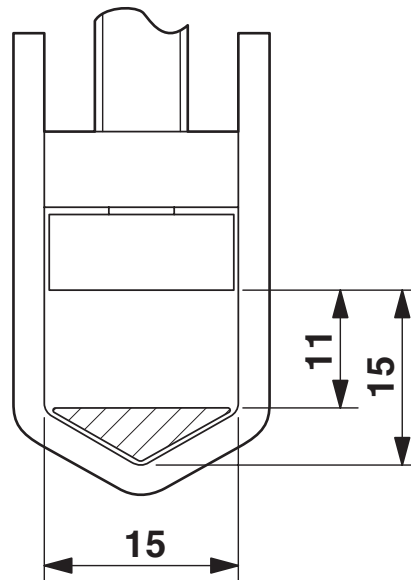
UKH 95-3L/N/FE-F - High-current terminal block

3076617

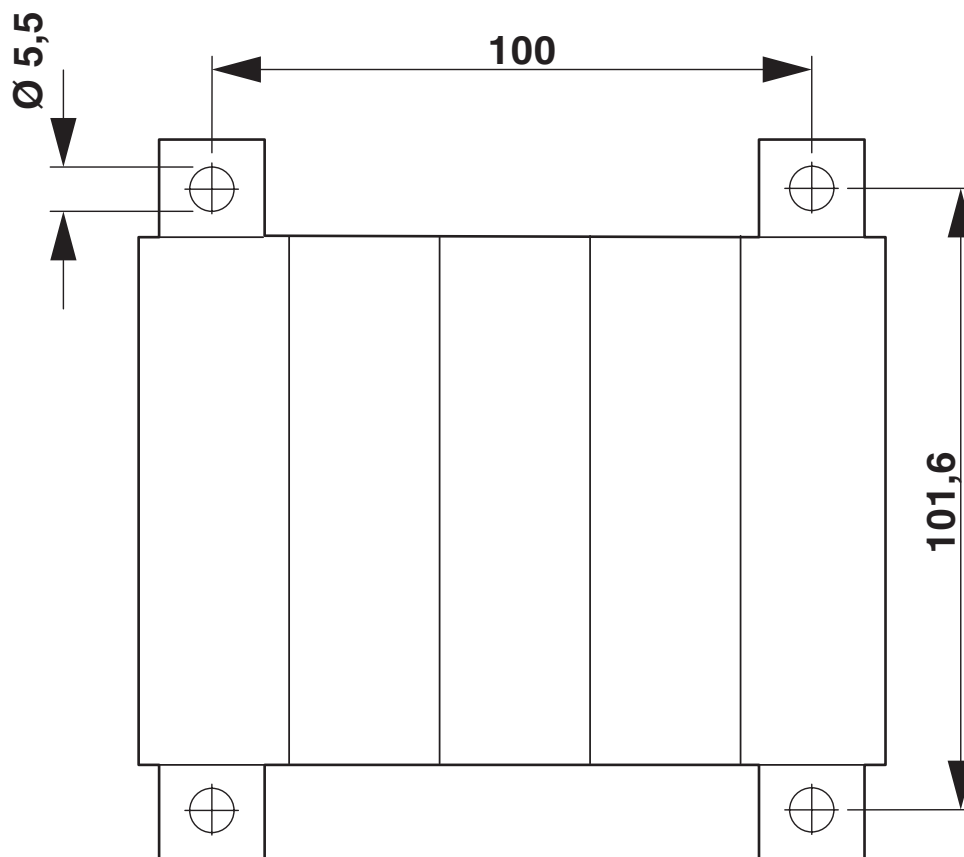
<https://www.phoenixcontact.com/us/products/3076617>

Drawings

Dimensional drawing



Dimensional drawing

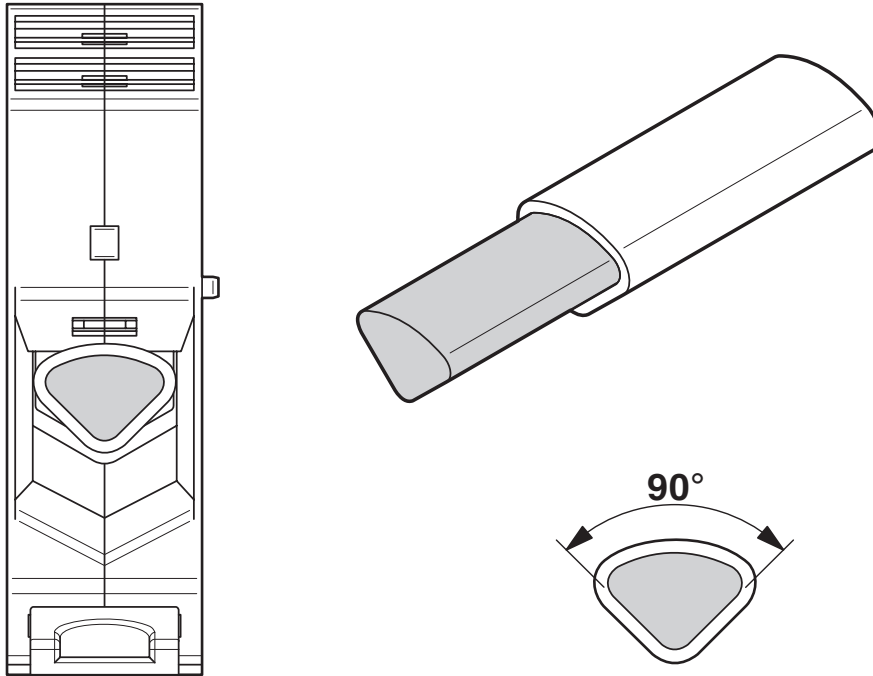


UKH 95-3L/N/FE-F - High-current terminal block

3076617

<https://www.phoenixcontact.com/us/products/3076617>

Schematic diagram



Connecting aluminum cables. Further notes can be found in the download area

Circuit diagram



UKH 95-3L/N/FE-F - High-current terminal block



3076617

<https://www.phoenixcontact.com/us/products/3076617>

Environmental product compliance

EU RoHS

Fulfills EU RoHS substance requirements	Yes, No exemptions
---	--------------------

China RoHS

Environment friendly use period (EFUP)	EFUP-E
	No hazardous substances above the limits

EU REACH SVHC

REACH candidate substance (CAS No.)	No substance above 0.1 wt%
-------------------------------------	----------------------------

Phoenix Contact 2026 © - all rights reserved
<https://www.phoenixcontact.com>

Phoenix Contact USA
586 Fulling Mill Road
Middletown, PA 17057, United States
(+717) 944-1300
info@phoenixcon.com