

UKH 95-3L/N-F - High-current terminal block



3076536

<https://www.phoenixcontact.com/us/products/3076536>

Please be informed that the data shown in this PDF document is generated from our online catalog. Please find the complete data in the user documentation. Our general terms of use for downloads are valid.



for direct mounting

High-current terminal block, nom. voltage: 1000 V, nominal current: 232 A, number of connections: 8, number of positions: 4, connection method: Screw connection, Rated cross section: 95 mm², cross section: 25 mm² - 95 mm², mounting type: direct screw connection, color: gray/blue

Commercial data

| | |
|--------------------------------------|---------------|
| Item number | 3076536 |
| Packing unit | 2 pc |
| Minimum order quantity | 1 pc |
| Product key | BE1311 |
| GTIN | 4046356654111 |
| Weight per piece (including packing) | 939.35 g |
| Weight per piece (excluding packing) | 939.35 g |
| Country of origin | PL |

UKH 95-3L/N-F - High-current terminal block



3076536

<https://www.phoenixcontact.com/us/products/3076536>

Technical data

Product properties

| | |
|-----------------------|-----------------------------|
| Product type | High current terminal block |
| Number of positions | 4 |
| Number of connections | 8 |
| Number of rows | 1 |
| Potentials | 4 |

Insulation characteristics

| | |
|----------------------|-----|
| Overvoltage category | III |
| Degree of pollution | 3 |

Electrical properties

| | |
|---------------------|------|
| Rated surge voltage | 8 kV |
|---------------------|------|

Connection data

| | |
|---------------------------------|--------------------|
| Number of connections per level | 8 |
| Nominal cross section | 95 mm ² |

Level 1 above 1 below 1

| | |
|---|--|
| Connection method | Screw connection |
| Screw thread | M8 |
| Note | Screws with hexagonal socket |
| Tightening torque | 15 ... 20 Nm |
| Stripping length | 33 mm |
| Connection in acc. with standard | IEC 60947-7-1 |
| Conductor cross-section rigid | 25 mm ² ... 95 mm ² |
| Cross section AWG | 4 ... 3/0 (converted acc. to IEC) |
| Conductor cross-section flexible | 35 mm ² ... 95 mm ² |
| Conductor cross-section, flexible [AWG] | 2 ... 3/0 (converted acc. to IEC) |
| Conductor cross-section flexible (ferrule without plastic sleeve) | 35 mm ² ... 95 mm ² |
| Flexible conductor cross-section (ferrule with plastic sleeve) | 35 mm ² ... 95 mm ² |
| Cross-section with insertion bridge, rigid | 95 mm ² |
| Cross-section with insertion bridge, flexible | 70 mm ² |
| 2 conductors with same cross section, rigid | 25 mm ² ... 35 mm ² |
| 2 conductors with same cross section, flexible | 25 mm ² ... 35 mm ² |
| 2 conductors with same cross section, flexible, with ferrule without plastic sleeve | 16 mm ² ... 35 mm ² |
| Nominal cross section | 95 mm ² |
| Nominal current | 232 A |
| Maximum load current | 232 A |
| Nominal voltage | 1000 V |
| Note | Note: Product releases, connection cross sections and notes on connecting aluminum cables can be found in the download area. |

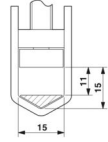
UKH 95-3L/N-F - High-current terminal block



3076536

<https://www.phoenixcontact.com/us/products/3076536>

Dimensions

| | |
|---------------------|--|
| Dimensional drawing |  |
| Width | 100 mm |
| Height | 90 mm |

Material specifications

| | |
|---|-------------|
| Color | gray/blue |
| Flammability rating according to UL 94 | V0 |
| Insulating material group | I |
| Insulating material | PA |
| Static insulating material application in cold | -60 °C |
| Temperature index of insulation material (DIN EN 60216-1 (VDE 0304-21)) | 130 °C |
| Relative insulation material temperature index (Elec., UL 746 B) | 130 °C |
| Fire protection for rail vehicles (DIN EN 45545-2) R22 | HL 1 - HL 3 |
| Fire protection for rail vehicles (DIN EN 45545-2) R23 | HL 1 - HL 3 |
| Fire protection for rail vehicles (DIN EN 45545-2) R24 | HL 1 - HL 3 |
| Fire protection for rail vehicles (DIN EN 45545-2) R26 | HL 1 - HL 3 |
| Calorimetric heat release NFPA 130 (ASTM E 1354) | 28 MJ/kg |
| Surface flammability NFPA 130 (ASTM E 162) | passed |
| Specific optical density of smoke NFPA 130 (ASTM E 662) | passed |
| Smoke gas toxicity NFPA 130 (SMP 800C) | passed |

Mechanical properties

| | |
|-----------------|----|
| Mechanical data | |
| Open side panel | No |

Standards and regulations

| | |
|----------------------------------|---------------|
| Connection in acc. with standard | IEC 60947-7-1 |
|----------------------------------|---------------|

Mounting

| | |
|---------------|-------------------------|
| Mounting type | direct screw connection |
|---------------|-------------------------|

UKH 95-3L/N-F - High-current terminal block

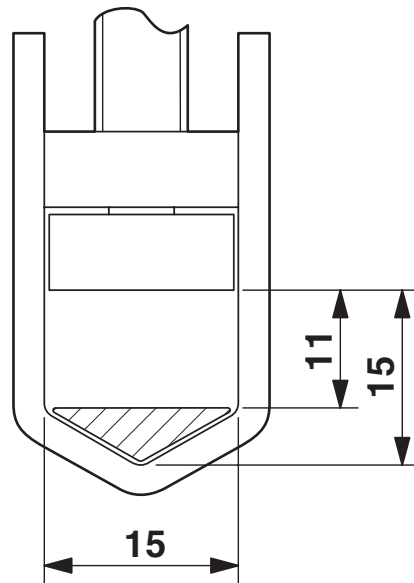
3076536

<https://www.phoenixcontact.com/us/products/3076536>

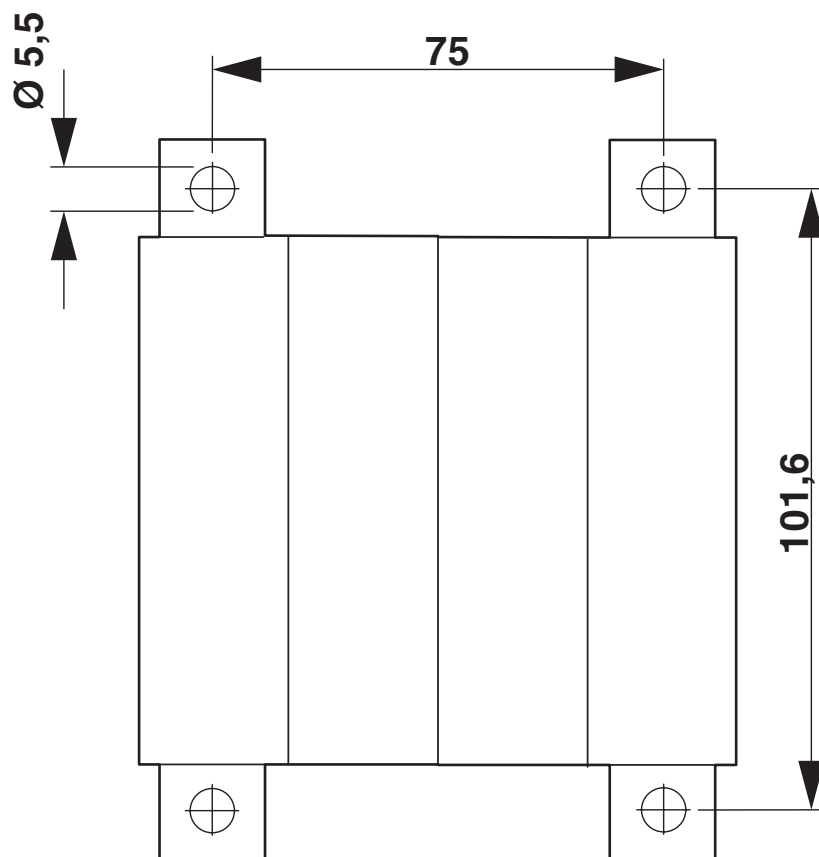


Drawings

Dimensional drawing



Dimensional drawing

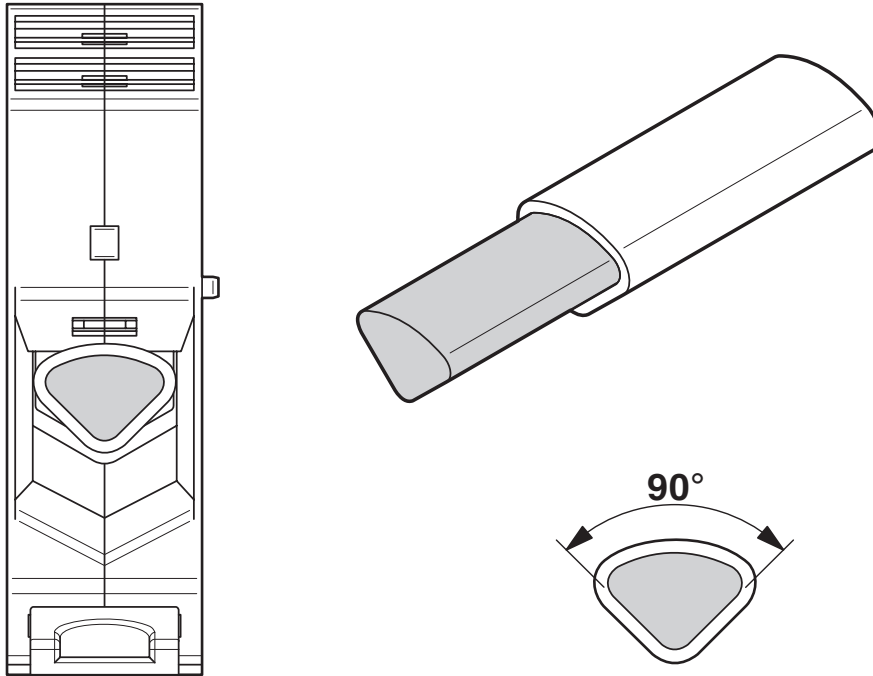


UKH 95-3L/N-F - High-current terminal block

3076536

<https://www.phoenixcontact.com/us/products/3076536>

Schematic diagram



Connecting aluminum cables. Further notes can be found in the download area

Circuit diagram



UKH 95-3L/N-F - High-current terminal block



3076536

<https://www.phoenixcontact.com/us/products/3076536>

Environmental product compliance

EU RoHS

| | |
|---|--------------------|
| Fulfills EU RoHS substance requirements | Yes, No exemptions |
|---|--------------------|

China RoHS

| | |
|--|--|
| Environment friendly use period (EFUP) | EFUP-E |
| | No hazardous substances above the limits |

EU REACH SVHC

| | |
|-------------------------------------|----------------------------|
| REACH candidate substance (CAS No.) | No substance above 0.1 wt% |
|-------------------------------------|----------------------------|

Phoenix Contact 2026 © - all rights reserved
<https://www.phoenixcontact.com>

Phoenix Contact USA
586 Fulling Mill Road
Middletown, PA 17057, United States
(+717) 944-1300
info@phoenixcon.com