

UWV 16 - Panel feed-through terminal block



3073419

<https://www.phoenixcontact.com/us/products/3073419>

Please be informed that the data shown in this PDF document is generated from our online catalog. Please find the complete data in the user documentation. Our general terms of use for downloads are valid.



16 mm²



SCREW



BOX



Panel feed-through terminal block, connection method: Screw connection with tension sleeve, Screw connection with tension sleeve, number of positions: 1, load current: 76 A, cross section: 6 mm² - 25 mm², connection direction of the conductor to plug-in direction: -90 °, width: 12.1 mm, color: gray

Your advantages

- Well-known connection principle allows worldwide use
- Low temperature rise, thanks to maximum contact force
- Tool-free snap-in principle enables easy mounting on the device panel
- Automatic panel thickness compensation enables universal use

Commercial data

| | |
|--------------------------------------|---------------|
| Item number | 3073419 |
| Packing unit | 50 pc |
| Minimum order quantity | 50 pc |
| Sales key | AA28 |
| Product key | AA1DDC |
| GTIN | 4046356344821 |
| Weight per piece (including packing) | 38.156 g |
| Weight per piece (excluding packing) | 34.1 g |
| Customs tariff number | 85369010 |
| Country of origin | CN |

UWV 16 - Panel feed-through terminal block



3073419

<https://www.phoenixcontact.com/us/products/3073419>

Technical data

Product properties

| | |
|-----------------------|-----------------------------------|
| Product type | Panel feed-through terminal block |
| Product family | UWV 16 |
| Number of positions | 1 |
| Pitch | 12.1 mm |
| Number of connections | 2 |
| Number of rows | 1 |
| Number of potentials | 1 |

Insulation characteristics

| | |
|----------------------|-----|
| Overvoltage category | III |
| Degree of pollution | 3 |

Electrical properties

Properties

| | |
|-----------------------------|-------|
| Nominal current I_N | 76 A |
| Nominal voltage U_N | 500 V |
| Rated voltage (III/3) | 500 V |
| Rated surge voltage (III/3) | 6 kV |

Connection data

Connection technology

| | |
|-----------------------|--------------------|
| Connector system | UW 16 / PW 16 |
| Nominal cross section | 16 mm ² |

Conductor connection exterior

| | |
|---|--|
| Connection method | Screw connection with tension sleeve |
| Connection direction of the conductor to plug-in direction | -90 ° |
| Conductor cross-section rigid | 6 mm ² ... 25 mm ² |
| Conductor cross-section flexible | 6 mm ² ... 16 mm ² |
| Conductor cross-section, flexible, with ferrule, without plastic sleeve | 6 mm ² ... 16 mm ² |
| Conductor cross-section, flexible, with ferrule, with plastic sleeve | 6 mm ² ... 16 mm ² |
| 2 conductors with same cross section, rigid | 2.5 mm ² ... 10 mm ² |
| 2 conductors with same cross section, flexible | 2.5 mm ² ... 6 mm ² |
| 2 conductors with same cross section, flexible, with ferrule without plastic sleeve | 4 mm ² ... 6 mm ² |
| 2 conductors with the same cross section, flexible, with TWIN ferrule with plastic sleeve | 4 mm ² ... 6 mm ² |
| Internal cylindrical gage | B7 |
| Stripping length | 16 mm |
| Tightening torque | 2.5 Nm ... 3 Nm |

UWV 16 - Panel feed-through terminal block



3073419

<https://www.phoenixcontact.com/us/products/3073419>

Conductor connection interior

| | |
|---|--|
| Connection method | Screw connection with tension sleeve |
| Connection direction of the conductor to plug-in direction | 0 ° |
| Conductor cross-section rigid | 6 mm ² ... 25 mm ² |
| Conductor cross-section flexible | 6 mm ² ... 16 mm ² |
| Conductor cross-section, flexible, with ferrule, without plastic sleeve | 6 mm ² ... 16 mm ² |
| Conductor cross-section, flexible, with ferrule, with plastic sleeve | 6 mm ² ... 16 mm ² |
| 2 conductors with same cross section, rigid | 2.5 mm ² ... 10 mm ² |
| 2 conductors with same cross section, flexible | 2.5 mm ² ... 6 mm ² |
| 2 conductors with same cross section, flexible, with ferrule without plastic sleeve | 4 mm ² ... 6 mm ² |
| 2 conductors with the same cross section, flexible, with TWIN ferrule with plastic sleeve | 4 mm ² ... 6 mm ² |
| Internal cylindrical gage | B7 |
| Stripping length | 16 mm |
| Tightening torque | 2.5 Nm ... 3 Nm |

Mounting

| | |
|-----------------|-------------|
| Panel thickness | 1 mm...6 mm |
|-----------------|-------------|

Material specifications

Material data - contact

| | |
|-------------------------|--|
| Note | WEEE/RoHS-compliant, free of whiskers according to IEC 60068-2-82/JEDEC JESD 201 |
| Contact material | Cu alloy |
| Surface characteristics | tin-plated |

Material data - housing

| | |
|---|-------------|
| Color (Housing) | gray (7042) |
| Insulating material | PA |
| Insulating material group | I |
| CTI according to IEC 60112 | 600 |
| Flammability rating according to UL 94 | V0 |
| Glow wire flammability index GWFI according to EN 60695-2-12 | 850 |
| Glow wire ignition temperature GWIT according to EN 60695-2-13 | 775 |
| Temperature for the ball pressure test according to EN 60695-10-2 | 125 °C |

Notes

Safety note

| | |
|-------------|---|
| Safety note | <ul style="list-style-type: none">• Only electrically qualified personnel may install and operate the product. To recognize and prevent danger, the qualified personnel must be familiar with the basics of electrical engineering. |
|-------------|---|

UWV 16 - Panel feed-through terminal block



3073419

<https://www.phoenixcontact.com/us/products/3073419>

| | |
|--|--|
| | <ul style="list-style-type: none"> • Observe the technical data provided here and refer to the documents listed under "Downloads". The download area contains important information, such as installation notes, technical drawings, and 3D data. • The cable entry funnel is not safe to touch. Never connect or disconnect the terminal when it is energized. Take appropriate steps to ensure touch protection. |
|--|--|

Dimensions

| | | |
|---------------------|---------|---------|
| Dimensional drawing | | |
| Pitch | 12.1 mm | 12.1 mm |
| Width [w] | 12.1 mm | |
| External dimensions | | |
| Height [h1] | 43.1 mm | |
| Length [l1] | 39.1 mm | |
| Internal dimensions | | |
| Height [h2] | 38.3 mm | |
| Length [l2] | 29.5 mm | |

Mechanical tests

Test for conductor damage and slackening

| | |
|---------------|-----------------------|
| Specification | IEC 60947-7-1:2009-04 |
| Result | Test passed |

Pull-out test

| | |
|---|---|
| Specification | IEC 60947-7-1:2009-04 |
| Conductor cross-section/conductor type/tractive force setpoint/actual value | 6 mm ² / solid / > 80 N |
| | 6 mm ² / flexible / > 80 N |
| | 25 mm ² / stranded / > 135 N |
| | 16 mm ² / flexible / > 100 N |

Electrical tests

Temperature-rise test

| | |
|-----------------------------------|--------------------------------|
| Specification | IEC 60947-7-1:2009-04 |
| Requirement temperature-rise test | Increase in temperature ≤ 45 K |

Short-time withstand current

| | |
|---------------|-----------------------|
| Specification | IEC 60947-7-1:2009-04 |
|---------------|-----------------------|

UWV 16 - Panel feed-through terminal block



3073419

<https://www.phoenixcontact.com/us/products/3073419>

Air clearances and creepage distances | 1. Insulation coordination

| | |
|--|-----------------------|
| Application | without spacer plate |
| Specification | IEC 60947-7-1:2009-04 |
| Insulating material group | I |
| Comparative tracking index (IEC 60112) | CTI 600 |
| Rated insulation voltage (III/3) | 500 V |
| Rated surge voltage (III/3) | 6 kV |
| minimum clearance value - non-homogenous field (III/3) | 5.5 mm |
| minimum creepage distance (III/3) | 6.3 mm |

Air clearances and creepage distances | 2. Insulation coordination

| | |
|--|-----------------------|
| Application | with spacer plate |
| Specification | IEC 60947-7-1:2009-04 |
| Insulating material group | I |
| Comparative tracking index (IEC 60112) | CTI 600 |
| Rated insulation voltage (III/3) | 800 V |
| Rated surge voltage (III/3) | 8 kV |
| minimum clearance value - non-homogenous field (III/3) | 8 mm |
| minimum creepage distance (III/3) | 10 mm |

Environmental and real-life conditions

Vibration test

| | |
|------------------------|-----------------------------|
| Specification | IEC 60068-2-6:2007-12 |
| Frequency | 10 - 150 - 10 Hz |
| Sweep speed | 1 octave/min |
| Amplitude | 0.35 mm (10 Hz ... 60.1 Hz) |
| Acceleration | 5g (60.1 Hz ... 150 Hz) |
| Test duration per axis | 2.5 h |
| Test directions | X-, Y- and Z-axis |

Shocks

| | |
|-----------------|-----------------------------------|
| Specification | IEC 60068-2-27:2008-02 |
| Pulse shape | Semi-sinusoidal |
| Acceleration | 30g |
| Shock duration | 18 ms |
| Test directions | X-, Y- and Z-axis (pos. and neg.) |

Glow-wire test

| | |
|------------------|------------------------|
| Specification | IEC 60695-2-11:2014-02 |
| Temperature | 960 °C |
| Time of exposure | 30 s |

Ambient conditions

| | |
|---|------------------|
| Ambient temperature (storage/transport) | -40 °C ... 70 °C |
| Relative humidity (storage/transport) | 30 % ... 70 % |

UWV 16 - Panel feed-through terminal block



3073419

<https://www.phoenixcontact.com/us/products/3073419>

| | |
|---------------------------------|---|
| Ambient temperature (assembly) | -5 °C ... 100 °C |
| Ambient temperature (operation) | -40 °C ... 105 °C (Depending on the current carrying capacity/derating curve) |

Ambient conditions

| | |
|---|---|
| Ambient temperature (operation) | -40 °C ... 105 °C (Depending on the current carrying capacity/derating curve) |
| Ambient temperature (storage/transport) | -40 °C ... 70 °C |
| Relative humidity (storage/transport) | 30 % ... 70 % |
| Ambient temperature (assembly) | -5 °C ... 100 °C |

Packaging specifications

| | |
|-------------------|---------------------|
| Type of packaging | packed in cardboard |
|-------------------|---------------------|

UWV 16 - Panel feed-through terminal block

3073419

<https://www.phoenixcontact.com/us/products/3073419>

Drawings

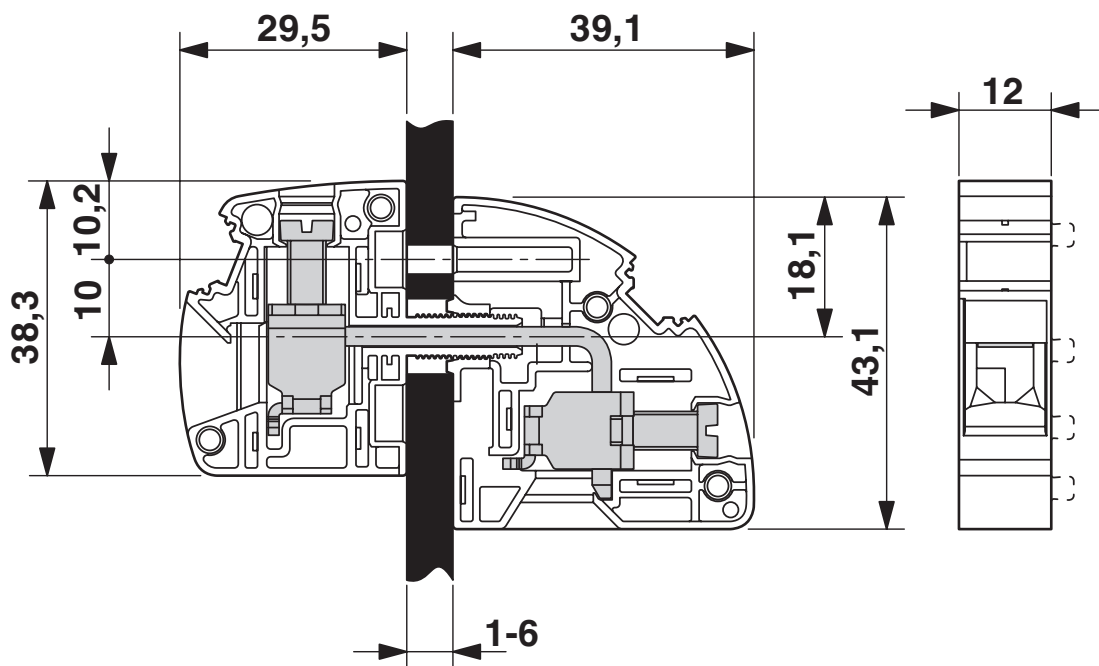
Dimensional drawing



* Only when using the UW...-F flange plate

** Dimensions when using the DP-UW... spacer plate

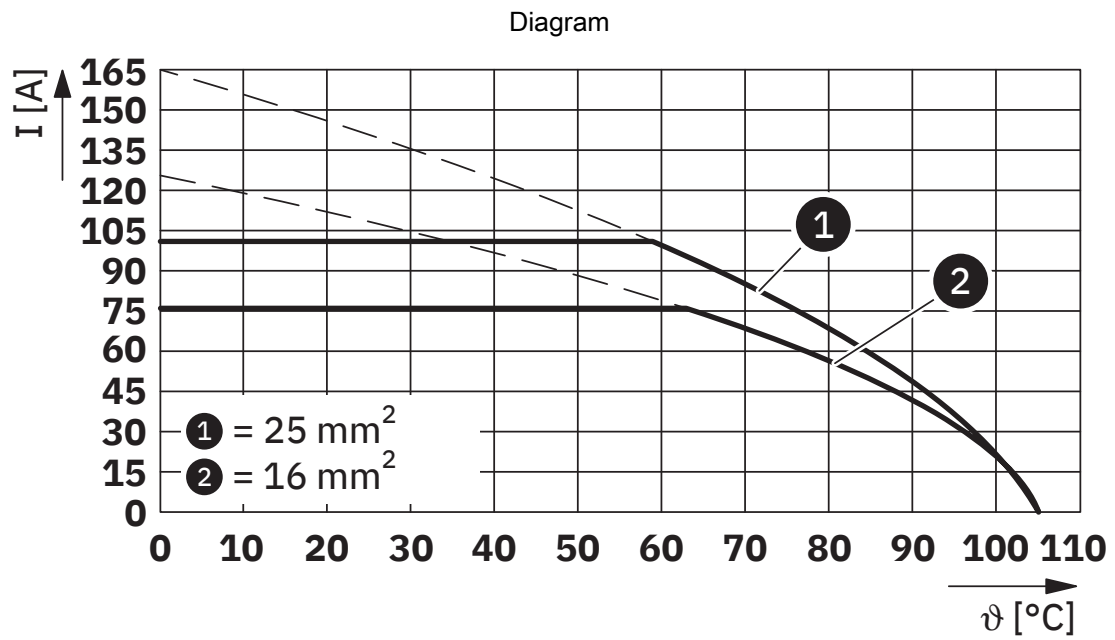
Dimensional drawing



UWV 16 - Panel feed-through terminal block

3073419

<https://www.phoenixcontact.com/us/products/3073419>



Type: UWV 16

UWV 16 - Panel feed-through terminal block





3073419

<https://www.phoenixcontact.com/us/products/3073419>

Approvals

To download certificates, visit the product detail page: <https://www.phoenixcontact.com/us/products/3073419>

|  CSA Approval ID: 13631 | | | | |
|--|-----------------------|-----------------------|-------------------|-----------------------------|
| | Nominal voltage U_N | Nominal current I_N | Cross section AWG | Cross section mm^2 |
| B | 600 V | 80 A | 10 - 4 | - |
| C | 600 V | 80 A | 10 - 4 | - |

|  cULus Recognized Approval ID: E60425-20100423 | | | | |
|---|-----------------------|-----------------------|-------------------|-----------------------------|
| | Nominal voltage U_N | Nominal current I_N | Cross section AWG | Cross section mm^2 |
| B | 600 V | 85 A | 10 - 4 | - |
| C | 600 V | 85 A | 10 - 4 | - |

UWV 16 - Panel feed-through terminal block



3073419

<https://www.phoenixcontact.com/us/products/3073419>

Classifications

ECLASS

| | |
|-------------|----------|
| ECLASS-13.0 | 27141134 |
| ECLASS-15.0 | 27141134 |

ETIM

| | |
|-----------|----------|
| ETIM 10.0 | EC001283 |
|-----------|----------|

UNSPSC

| | |
|-------------|----------|
| UNSPSC 21.0 | 39121400 |
|-------------|----------|

UWV 16 - Panel feed-through terminal block



3073419

<https://www.phoenixcontact.com/us/products/3073419>

Environmental product compliance

EU RoHS

| | |
|---|--------------------|
| Fulfills EU RoHS substance requirements | Yes, No exemptions |
|---|--------------------|

China RoHS

| | |
|--|--|
| Environment friendly use period (EFUP) | EFUP-E |
| | No hazardous substances above the limits |

EU REACH SVHC

| | |
|-------------------------------------|----------------------------|
| REACH candidate substance (CAS No.) | No substance above 0.1 wt% |
|-------------------------------------|----------------------------|

Phoenix Contact 2026 © - all rights reserved
<https://www.phoenixcontact.com>

Phoenix Contact USA
586 Fulling Mill Road
Middletown, PA 17057, United States
(+717) 944-1300
info@phoenixcon.com