

CGS 50 - Cable guiding system



3071400

<https://www.phoenixcontact.com/us/products/3071400>

Please be informed that the data shown in this PDF document is generated from our online catalog. Please find the complete data in the user documentation. Our general terms of use for downloads are valid.

Cable guiding system, with closed swivel joint, depth: 140.5 mm, width: 68 mm, height: 218 mm, diameter: 42 mm, color: gray



Your advantages

- High-grade elastic and mechanically resilient plastic, certified according to UL 94 for flammability rating: V0
- Mechanical cable protection and bundling, thanks to protective covers that can be attached without tools
- Integrated flanges with strain relief make assembly quick and easy
- Easily plan cable harnesses: the cable length is predefined through the swivel arm
- Cable routing for the control cabinet door can be planned in the CAD system, thanks to the defined installation space and swivel range
- Route preassembled cables and wires easily, thanks to the patent-pending swivel joint

Commercial data

Item number	3071400
Packing unit	1 pc
Minimum order quantity	1 pc
Sales key	BE06
Product key	BE61ZX
GTIN	4055626289182
Weight per piece (including packing)	432.2 g
Weight per piece (excluding packing)	432.2 g
Customs tariff number	39259020
Country of origin	PL

Technical data

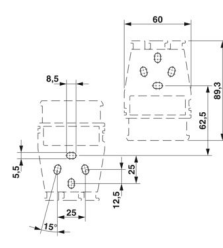
Notes

General	Cable binders can be used up to a width of 4 mm and from a length of 40 mm
---------	--

Product properties

Product type	Cable feed-through
Number of cables	100 for 1.5 mm ²

Dimensions

Dimensional drawing	
Width	68 mm
Height	218 mm
Depth	140.5 mm
Cable length	700 mm ... 460 mm
Drill hole distance, horizontal	25 mm
Drill hole distance, vertical	25 mm
Diameter	42 mm
Hole diameter	5.5 mm

Material specifications

Color	gray (RAL 7042)
Material	PC
Flammability rating according to UL 94	V0
Components	halogen-free

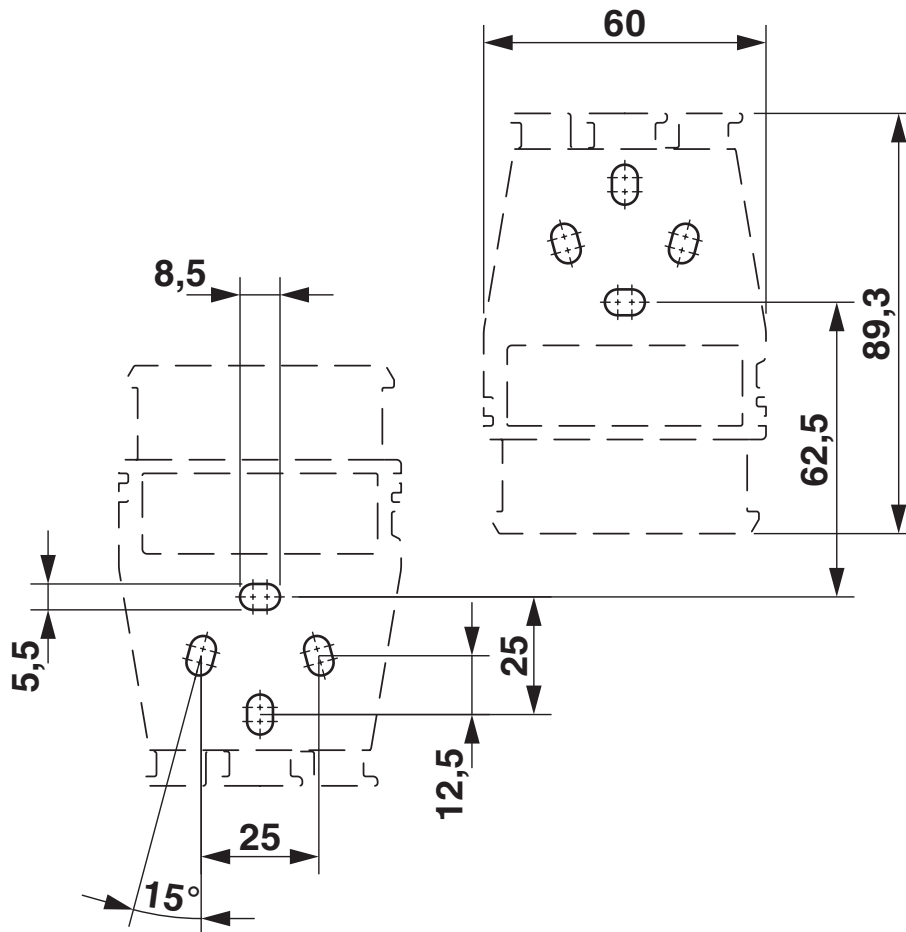
Environmental and real-life conditions

Ambient conditions

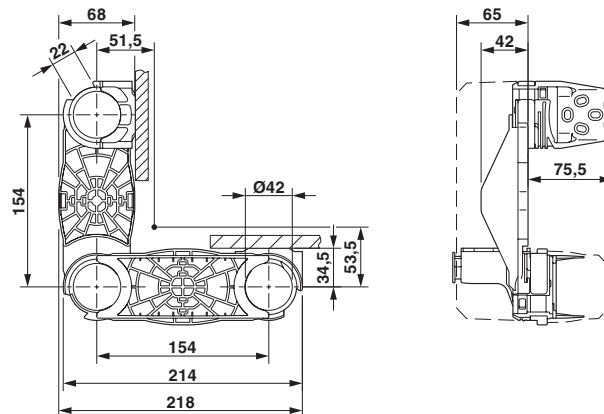
Ambient temperature (operation)	-60 °C ... 85 °C
Ambient temperature (storage/transport)	-25 °C ... 55 °C (for a short time, not exceeding 24 h, -60 °C to +70 °C)
Ambient temperature (assembly)	-5 °C ... 70 °C
Ambient temperature (actuation)	-5 °C ... 70 °C
Permissible humidity (storage/transport)	30 % ... 70 %

Drawings

Dimensional drawing



Dimensional drawing



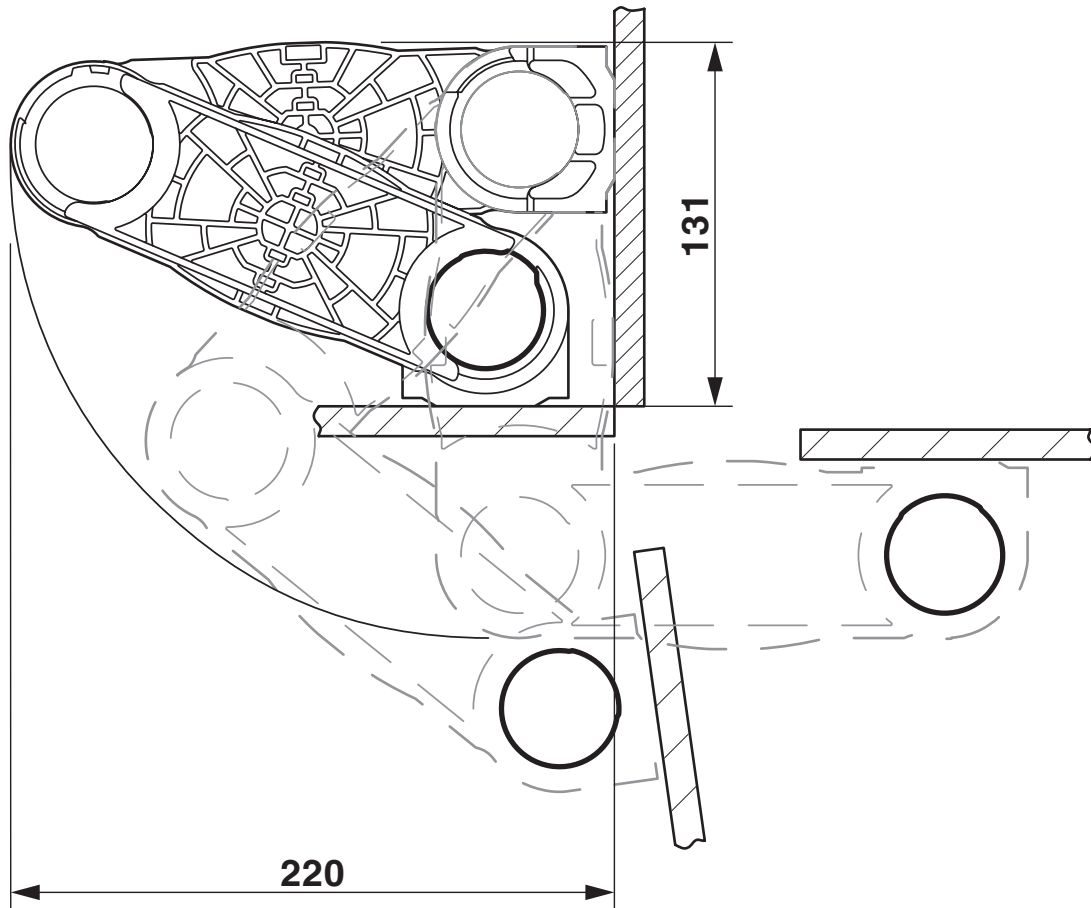
CGS 50 - Cable guiding system

3071400

<https://www.phoenixcontact.com/us/products/3071400>



Dimensional drawing



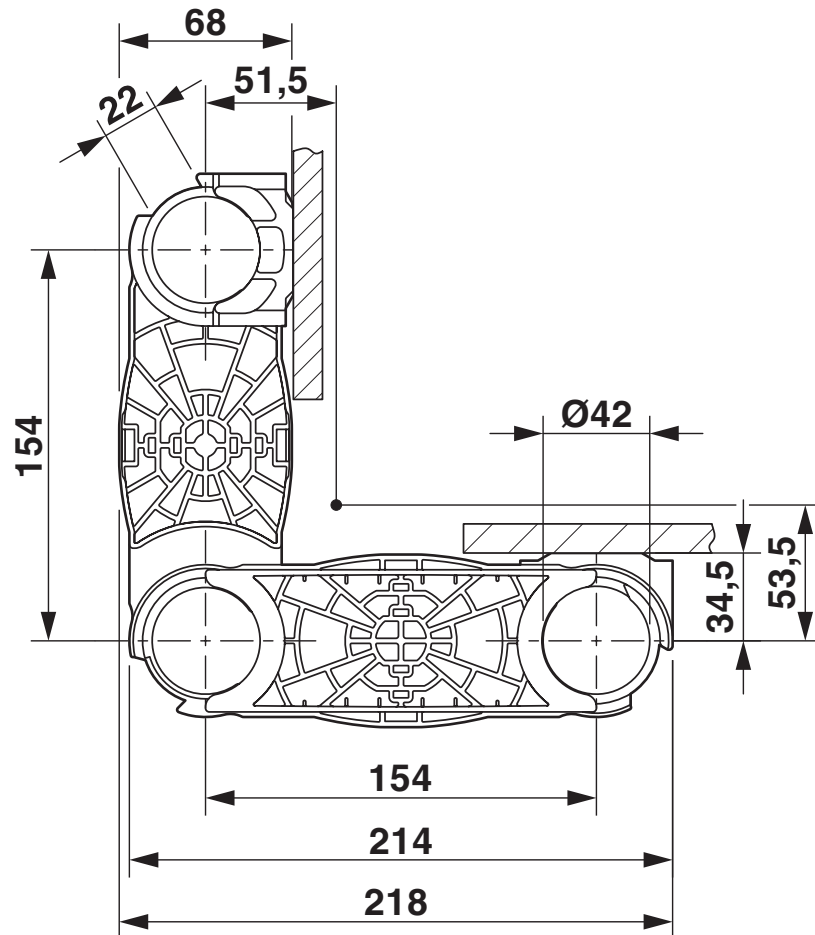
CGS 50 - Cable guiding system

3071400

<https://www.phoenixcontact.com/us/products/3071400>



Dimensional drawing



CGS 50 - Cable guiding system

3071400

<https://www.phoenixcontact.com/us/products/3071400>



Approvals

🔗 To download certificates, visit the product detail page: <https://www.phoenixcontact.com/us/products/3071400>



VDE Zeichengenehmigung

Approval ID: 40047466

CGS 50 - Cable guiding system

3071400

<https://www.phoenixcontact.com/us/products/3071400>



Classifications

ECLASS

ECLASS-13.0	27182811
ECLASS-15.0	27182811

ETIM

ETIM 10.0	EC002620
-----------	----------

UNSPSC

UNSPSC 21.0	39121700
-------------	----------

CGS 50 - Cable guiding system

3071400

<https://www.phoenixcontact.com/us/products/3071400>



Environmental product compliance

EU RoHS

Fulfills EU RoHS substance requirements	Yes, No exemptions
---	--------------------

China RoHS

Environment friendly use period (EFUP)	EFUP-E
	No hazardous substances above the limits

EU REACH SVHC

REACH candidate substance (CAS No.)	No substance above 0.1 wt%
-------------------------------------	----------------------------

EF3.1 Climate Change

CO2e kg	1.737 kg CO2e
---------	---------------

Phoenix Contact 2026 © - all rights reserved

<https://www.phoenixcontact.com>

Phoenix Contact USA
586 Fulling Mill Road
Middletown, PA 17057, United States
(+717) 944-1300
info@phoenixcon.com