

UPCV3K 4-G-7,62 RD - Feed-through terminal block



3070440

<https://www.phoenixcontact.com/us/products/3070440>

Please be informed that the data shown in this PDF document is generated from our online catalog. Please find the complete data in the user documentation. Our general terms of use for downloads are valid.



Feed-through terminal block, nom. voltage: 800 V, nominal current: 20 A, number of connections: 4, number of positions: 1, connection method: Screw/plug-in connection, cross section: 0.2 mm² - 4 mm², mounting type: NS 35/7,5, NS 35/15, NS 32, color: red

Your advantages

- Can be plugged into PC 4 and PC 5 plugs
- Vibration-resistant connection with flange terminal blocks that can be aligned (-F)
- For mounting on NS 35/... and NS 15... DIN rails in accordance with EN 60715 - or in the case of the UPCV3K 4-G-7,62 - for mounting on NS 35/... and NS 32 DIN rails
- UPCV3K provides three plug outlets per terminal point

Commercial data

Item number	3070440
Packing unit	50 pc
Minimum order quantity	50 pc
Product key	BE1241
GTIN	4055626320694
Weight per piece (including packing)	15.94 g
Weight per piece (excluding packing)	15.41 g
Country of origin	PL

UPCV3K 4-G-7,62 RD - Feed-through terminal block



3070440

<https://www.phoenixcontact.com/us/products/3070440>

Technical data

Product properties

Product type	Plug-in terminal block
Number of positions	1
Pitch	7.62 mm
Number of connections	4
Number of rows	1
Potentials	1

Electrical properties

Maximum power dissipation for nominal condition	1.02 W
---	--------

Connection data

Number of connections per level	4
Nominal cross section	4 mm ²
Connection method	Screw/plug-in connection
Screw thread	M3
Tightening torque	0.5 ... 0.6 Nm
Stripping length	10 mm
Conductor cross-section rigid	0.2 mm ² ... 4 mm ²
Cross section AWG	24 ... 12 (converted acc. to IEC)
Conductor cross-section flexible	0.2 mm ² ... 4 mm ²
Conductor cross-section, flexible [AWG]	24 ... 12 (converted acc. to IEC)
Conductor cross-section flexible (ferrule without plastic sleeve)	0.2 mm ² ... 4 mm ²
Flexible conductor cross-section (ferrule with plastic sleeve)	0.25 mm ² ... 4 mm ²
2 conductors with same cross section, rigid	0.25 mm ² ... 2.5 mm ²
2 conductors with the same cross-section AWG rigid	24 ... 14 (converted acc. to IEC)
2 conductors with same cross section, flexible	0.25 mm ² ... 2.5 mm ²
2 conductors with the same cross-section AWG flexible	24 ... 14 (converted acc. to IEC)
2 conductors with same cross section, flexible, with ferrule without plastic sleeve	0.25 mm ² ... 1.5 mm ²
2 conductors with the same cross section, flexible, with TWIN ferrule with plastic sleeve	0.5 mm ² ... 2.5 mm ²
Nominal current	20 A
Maximum load current	20 A (with 4 mm ² conductor cross-section)
Nominal voltage	800 V

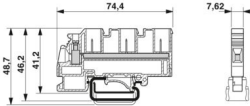
Dimensions

UPCV3K 4-G-7,62 RD - Feed-through terminal block



3070440

<https://www.phoenixcontact.com/us/products/3070440>

Dimensional drawing	
Width	7.62 mm
Pitch	7.62 mm

Material specifications

Color	red (RAL 3001)
Flammability rating according to UL 94	V0
Insulating material group	I
Insulating material	PA

Mechanical properties

Mechanical data

Open side panel	No
-----------------	----

Environmental and real-life conditions

Ambient conditions

Ambient temperature (storage/transport)	-25 °C ... 60 °C (for a short time, not exceeding 24 h, -60 °C to +70 °C)
Ambient temperature (assembly)	-5 °C ... 70 °C
Ambient temperature (actuation)	-5 °C ... 70 °C
Permissible humidity (storage/transport)	30 % ... 70 %

Mounting

Mounting type	NS 35/7,5
	NS 35/15
	NS 32

UPCV3K 4-G-7,62 RD - Feed-through terminal block

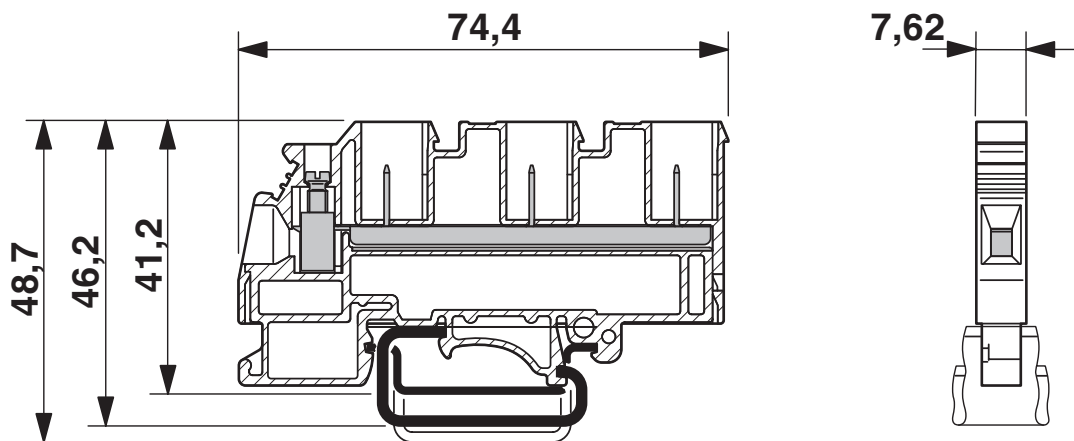
3070440

<https://www.phoenixcontact.com/us/products/3070440>



Drawings

Dimensional drawing



UPCV3K 4-G-7,62 RD - Feed-through terminal block



3070440

<https://www.phoenixcontact.com/us/products/3070440>

Classifications

UNSPSC

UNSPSC 21.0	39121400
-------------	----------

UPCV3K 4-G-7,62 RD - Feed-through terminal block



3070440

<https://www.phoenixcontact.com/us/products/3070440>

Environmental product compliance

EU RoHS

Fulfills EU RoHS substance requirements	Yes, No exemptions
---	--------------------

China RoHS

Environment friendly use period (EFUP)	EFUP-E
	No hazardous substances above the limits

EU REACH SVHC

REACH candidate substance (CAS No.)	No substance above 0.1 wt%
-------------------------------------	----------------------------

Phoenix Contact 2026 © - all rights reserved
<https://www.phoenixcontact.com>

Phoenix Contact USA
586 Fulling Mill Road
Middletown, PA 17057, United States
(+717) 944-1300
info@phoenixcon.com