

# UTWE 6/6+1 BI - Plug-in test socket



3069996

<https://www.phoenixcontact.com/us/products/3069996>

Please be informed that the data shown in this PDF document is generated from our online catalog. Please find the complete data in the user documentation. Our general terms of use for downloads are valid.



Plug-in test socket, nom. voltage: 400 V, nominal current: 24 A, number of connections: 14, number of positions: 7, connection method: Screw connection, Rated cross section: 6 mm<sup>2</sup>, 1 level, cross section: 0.2 mm<sup>2</sup> - 10 mm<sup>2</sup>, mounting type: Panel mounting, color: gray

## Your advantages

- The integrated, robust switch contact is designed for the most stringent demands, and the use of high-quality materials ensures the transmission of signal currents, even after multiple actuations
- The automatically generated transformer short circuit and the shock-proof design ensure the highest degree of safety during measurement

## Commercial data

Item number	3069996
Packing unit	5 pc
Minimum order quantity	5 pc
Product key	BE6111
GTIN	4046356744669
Weight per piece (including packing)	345.46 g
Weight per piece (excluding packing)	345.46 g
Country of origin	PL

# UTWE 6/6+1 BI - Plug-in test socket



3069996

<https://www.phoenixcontact.com/us/products/3069996>

## Technical data

### Product properties

Product type	Test terminal strip
Product family	FAME 1
Number of positions	7
Pitch	8.2 mm
Number of connections	14
Number of rows	1
Potentials	7

### Insulation characteristics

Overvoltage category	III
----------------------	-----

### Electrical properties

Rated surge voltage	4 kV
Maximum power dissipation for nominal condition	1.31 W
Test surge voltage	5 kV

### Connection data

Number of connections per level	14
Nominal cross section	6 mm <sup>2</sup>

#### 1 level

Connection method	Screw connection
Screw thread	M4
Tightening torque	1.5 ... 1.8 Nm
Stripping length	10 mm
Internal cylindrical gage	A5
Connection in acc. with standard	IEC 60947-7-1
Conductor cross-section rigid	0.2 mm <sup>2</sup> ... 10 mm <sup>2</sup>
Cross section AWG	24 ... 8 (converted acc. to IEC)
Conductor cross-section flexible	0.2 mm <sup>2</sup> ... 10 mm <sup>2</sup>
Conductor cross-section, flexible [AWG]	24 ... 8 (converted acc. to IEC)
Conductor cross-section flexible (ferrule without plastic sleeve)	0.25 mm <sup>2</sup> ... 6 mm <sup>2</sup>
Flexible conductor cross-section (ferrule with plastic sleeve)	0.25 mm <sup>2</sup> ... 6 mm <sup>2</sup>
2 conductors with same cross section, rigid	0.2 mm <sup>2</sup> ... 2.5 mm <sup>2</sup>
2 conductors with same cross section, flexible	0.2 mm <sup>2</sup> ... 2.5 mm <sup>2</sup>
2 conductors with same cross section, flexible, with ferrule without plastic sleeve	0.25 mm <sup>2</sup> ... 1.5 mm <sup>2</sup>
2 conductors with the same cross section, flexible, with TWIN ferrule with plastic sleeve	0.5 mm <sup>2</sup> ... 2.5 mm <sup>2</sup>
Nominal cross section	6 mm <sup>2</sup>
Nominal current	24 A
Maximum load current	30 A (with 10 mm <sup>2</sup> conductor cross-section)

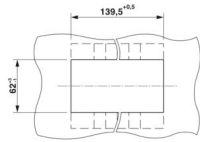
# UTWE 6/6+1 BI - Plug-in test socket

3069996

<https://www.phoenixcontact.com/us/products/3069996>

Nominal voltage	400 V
-----------------	-------

## Dimensions

Dimensional drawing	
Width	139.5 mm
Height	81 mm
Depth	81 mm
Pitch	8.2 mm
Plate thickness	1 mm ... 4 mm

## Material specifications

Color	gray (RAL 7042)
Flammability rating according to UL 94	V0
Insulating material group	I
Insulating material	PA
Static insulating material application in cold	-60 °C
Temperature index of insulation material (DIN EN 60216-1 (VDE 0304-21))	125 °C
Relative insulation material temperature index (Elec., UL 746 B)	130 °C
Fire protection for rail vehicles (DIN EN 45545-2) R22	HL 1 - HL 3
Fire protection for rail vehicles (DIN EN 45545-2) R23	HL 1 - HL 3
Fire protection for rail vehicles (DIN EN 45545-2) R24	HL 1 - HL 3
Fire protection for rail vehicles (DIN EN 45545-2) R26	HL 1 - HL 3
Calorimetric heat release NFPA 130 (ASTM E 1354)	27,5 MJ/kg
Surface flammability NFPA 130 (ASTM E 162)	passed
Specific optical density of smoke NFPA 130 (ASTM E 662)	passed
Smoke gas toxicity NFPA 130 (SMP 800C)	passed

## Electrical tests

### Surge voltage test

Test voltage setpoint	4.8 kV
Result	Test passed

### Temperature-rise test

Requirement temperature-rise test	Increase in temperature ≤ 45 K
Result	Test passed
Short-time withstand current 2.5 mm <sup>2</sup>	300 A
Short-time withstand current 4 mm <sup>2</sup>	500 A
	300 A
	1250 A

# UTWE 6/6+1 BI - Plug-in test socket



3069996

<https://www.phoenixcontact.com/us/products/3069996>

Result	Test passed
--------	-------------

## Power-frequency withstand voltage

Test voltage setpoint	1.89 kV
Result	Test passed

## Mechanical properties

### General

Terminal block mounting	0.8 Nm ... 1 Nm
-------------------------	-----------------

### Mechanical data

Open side panel	No
-----------------	----

## Mechanical tests

### Mechanical strength

Result	Test passed
--------	-------------

### Attachment on the carrier

Test force setpoint	5 N
Result	Test passed
Note	Dimensions panel cutout see appendix.

### Test for conductor damage and slackening

Rotation speed	10 rpm
Revolutions	135
Conductor cross-section/weight	0.2 mm <sup>2</sup> / 0.2 kg
	6 mm <sup>2</sup> / 1.4 kg
	10 mm <sup>2</sup> / 2 kg
Result	Test passed

## Environmental and real-life conditions

### Needle-flame test

Time of exposure	30 s
Result	Test passed

### Oscillation/broadband noise

Specification	DIN EN 50155 (VDE 0115-200):2008-03
Spectrum	Long life test category 1, class B, body mounted
Frequency	$f_1 = 5 \text{ Hz}$ to $f_2 = 150 \text{ Hz}$
ASD level	1.857 (m/s <sup>2</sup> )/Hz
Acceleration	0.8g
Test duration per axis	5 h
Test directions	X-, Y- and Z-axis
Result	Test passed

### Shocks

# UTWE 6/6+1 BI - Plug-in test socket



3069996

<https://www.phoenixcontact.com/us/products/3069996>

Specification	DIN EN 50155 (VDE 0115-200):2008-03
Pulse shape	Half-sine
Acceleration	5g
Shock duration	30 ms
Number of shocks per direction	3
Test directions	X-, Y- and Z-axis (pos. and neg.)
Result	Test passed

## Ambient conditions

Ambient temperature (storage/transport)	-25 °C ... 60 °C (for a short time, not exceeding 24 h, -60 °C to +70 °C)
Ambient temperature (assembly)	-5 °C ... 70 °C
Ambient temperature (actuation)	-5 °C ... 70 °C
Permissible humidity (storage/transport)	30 % ... 70 %

## Standards and regulations

Connection in acc. with standard	IEC 60947-7-1
----------------------------------	---------------

## Mounting

Mounting type	Panel mounting
Terminal block mounting	0.8 Nm ... 1 Nm

# UTWE 6/6+1 BI - Plug-in test socket

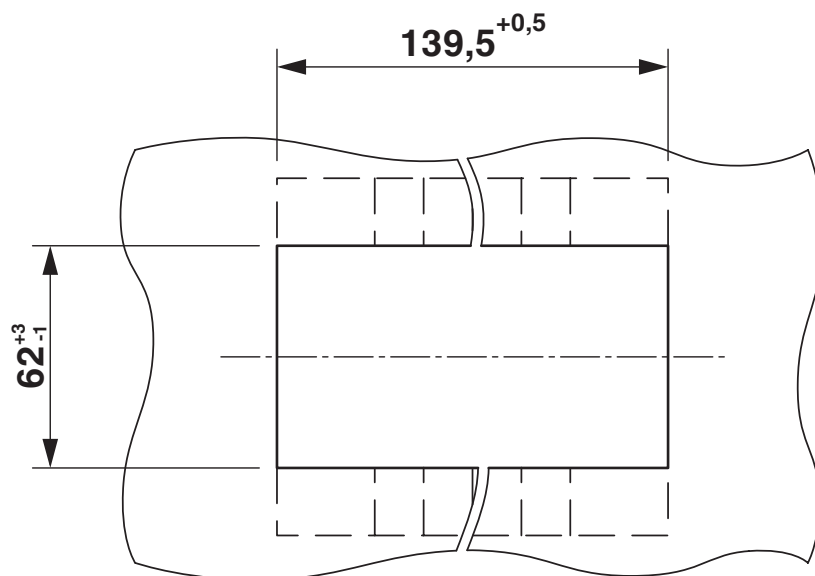
3069996

<https://www.phoenixcontact.com/us/products/3069996>



## Drawings

Dimensional drawing



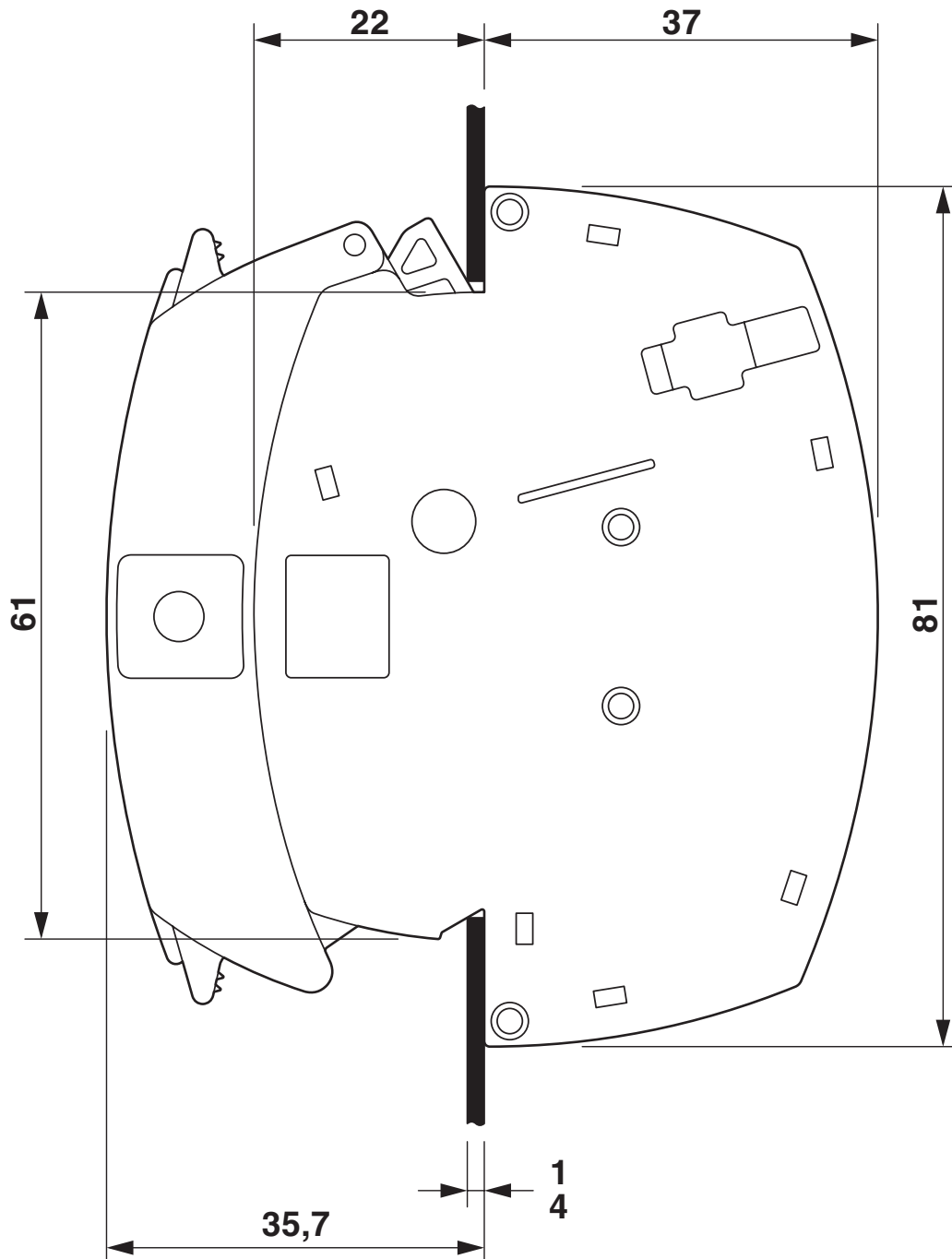
# UTWE 6/6+1 BI - Plug-in test socket



3069996

<https://www.phoenixcontact.com/us/products/3069996>

Dimensional drawing



# UTWE 6/6+1 BI - Plug-in test socket

3069996

<https://www.phoenixcontact.com/us/products/3069996>



## Circuit diagram



# UTWE 6/6+1 BI - Plug-in test socket




3069996


<https://www.phoenixcontact.com/us/products/3069996>


## Approvals

To download certificates, visit the product detail page: <https://www.phoenixcontact.com/us/products/3069996>

 <b>CSA</b> Approval ID: 13631				
	Nominal voltage $U_N$	Nominal current $I_N$	Cross section AWG	Cross section $\text{mm}^2$
D	600 V	5 A	24 - 8	-
B	600 V	30 A	24 - 8	-
C	600 V	30 A	24 - 8	-

 <b>EAC</b> Approval ID: RU C-DE.BL08.B.00682				
---	--	--	--	--

 <b>cULus Recognized</b> Approval ID: E60425				
	Nominal voltage $U_N$	Nominal current $I_N$	Cross section AWG	Cross section $\text{mm}^2$
F	400 V	30 A	24 - 8	-

 <b>EAC</b> Approval ID: KZ7500651131219505				
---	--	--	--	--

# UTWE 6/6+1 BI - Plug-in test socket



3069996

<https://www.phoenixcontact.com/us/products/3069996>

## Classifications

### ECLASS

ECLASS-13.0	27250304
ECLASS-15.0	27250304

### ETIM

ETIM 10.0	EC002555
-----------	----------

### UNSPSC

UNSPSC 21.0	39121400
-------------	----------

# UTWE 6/6+1 BI - Plug-in test socket



3069996

<https://www.phoenixcontact.com/us/products/3069996>

## Environmental product compliance

### EU RoHS

Fulfills EU RoHS substance requirements	Yes
Exemption	6(c)

### China RoHS

Environment friendly use period (EFUP)	EFUP-50
	An article-related China RoHS declaration table can be found in the download area for the respective article under "Manufacturer declaration". For all articles with EFUP-E, no China RoHS declaration table issued and required.

### EU REACH SVHC

REACH candidate substance (CAS No.)	Lead(CAS: 7439-92-1)
SCIP	5e344363-517a-4ccc-83f3-31a128a39426

### EF3.1 Climate Change

CO2e kg	1.526 kg CO2e
---------	---------------

Phoenix Contact 2026 © - all rights reserved  
<https://www.phoenixcontact.com>

Phoenix Contact USA  
586 Fulling Mill Road  
Middletown, PA 17057, United States  
(+717) 944-1300  
[info@phoenixcon.com](mailto:info@phoenixcon.com)