

# FTPR-3/20S - Test plug



3069977

<https://www.phoenixcontact.com/us/products/3069977>

Please be informed that the data shown in this PDF document is generated from our online catalog. Please find the complete data in the user documentation. Our general terms of use for downloads are valid.

Test plug, With twist grip, number of positions: 20, color: gray



The figure shows the 14-pos. version

## Your advantages

- Easy and time saving, thanks to functional grouping of switching operations
- Cost-effective, thanks to the tailored, modular design and use of standardized CLIPLINE complete accessories
- Space saving, thanks to offset test socket arrangement
- Safe, thanks to guided operation with patented twist grip
- The automatically generated transformer short circuit and the shock-proof design ensure the highest degree of safety during measurement
- The integrated, robust switch contact is designed for the most stringent demands, and the use of high-quality materials ensures the transmission of signal currents, even after multiple actuations
- Maximum safety with leading and automatic transformer short circuit

## Commercial data

Item number	3069977
Packing unit	1 pc
Minimum order quantity	1 pc
Sales key	BE06
Product key	BE6113
GTIN	4055626395814
Weight per piece (including packing)	955 g
Weight per piece (excluding packing)	538.53 g
Customs tariff number	85366990
Country of origin	PL

# FTPR-3/20S - Test plug

3069977

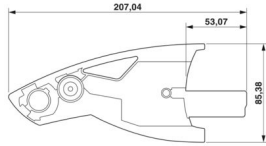
<https://www.phoenixcontact.com/us/products/3069977>

## Technical data

### Product properties

Product type	Test plug terminal block
Product family	FAME 3
Number of positions	20
Pitch	8.2 mm
Potentials	20

### Dimensions

Dimensional drawing	
Width	195.6 mm
Height	86 mm
Pitch	8.2 mm

### Material specifications

Color	gray (RAL 7042)
Flammability rating according to UL 94	V0
Insulating material	PA

### Environmental and real-life conditions

#### Ambient conditions

Ambient temperature (operation)	-60 °C ... 105 °C (max. short-term operating temperature RTI Elec.)
Ambient temperature (storage/transport)	-25 °C ... 60 °C (for a short time, not exceeding 24 h, -60 °C to +70 °C)
Ambient temperature (assembly)	-5 °C ... 70 °C
Ambient temperature (actuation)	-5 °C ... 70 °C
Permissible humidity (storage/transport)	30 % ... 70 %

# FTPR-3/20S - Test plug

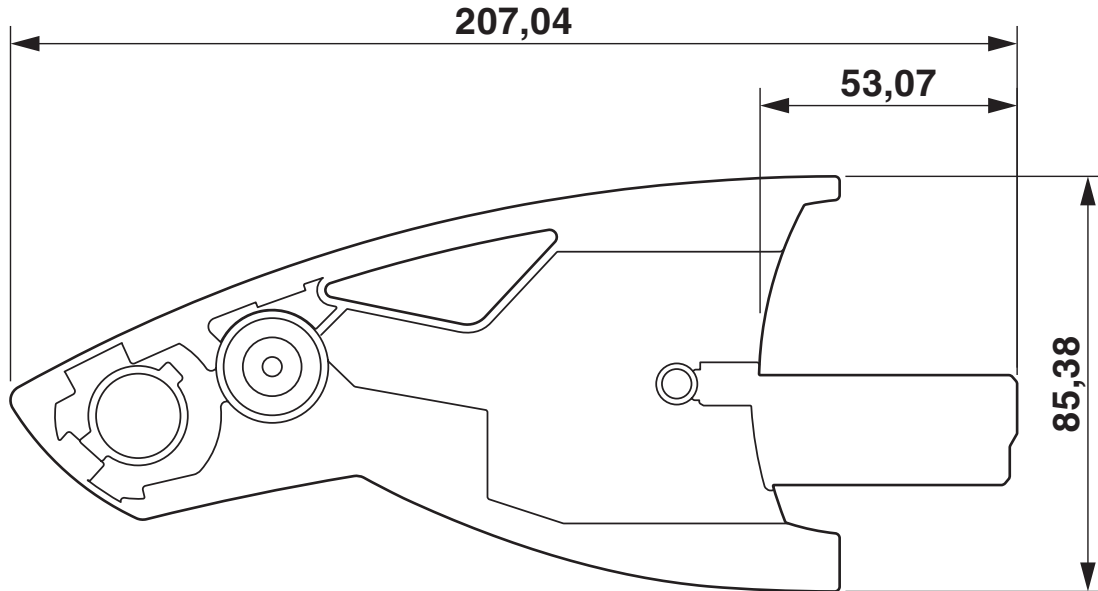


3069977

<https://www.phoenixcontact.com/us/products/3069977>

## Drawings

Dimensional drawing



Circuit diagram



# FTPR-3/20S - Test plug



3069977

<https://www.phoenixcontact.com/us/products/3069977>

## Approvals

To download certificates, visit the product detail page: <https://www.phoenixcontact.com/us/products/3069977>

 <b>cULus Recognized</b> Approval ID: E60425				
	Nominal voltage $U_N$	Nominal current $I_N$	Cross section AWG	Cross section $\text{mm}^2$
B	300 V	31 A	-	-
C	300 V	31 A	-	-
F	690 V	31 A	-	-
D	600 V	5 A	-	-

 <b>CSA</b> Approval ID: 13631				
	Nominal voltage $U_N$	Nominal current $I_N$	Cross section AWG	Cross section $\text{mm}^2$
B	300 V	31 A	-	-
C	300 V	31 A	-	-
D	600 V	5 A	-	-

# FTPR-3/20S - Test plug



3069977

<https://www.phoenixcontact.com/us/products/3069977>

## Classifications

### ECLASS

ECLASS-13.0	27250304
ECLASS-15.0	27250304

### ETIM

ETIM 10.0	EC002555
-----------	----------

### UNSPSC

UNSPSC 21.0	20122000
-------------	----------

# FTPR-3/20S - Test plug



3069977

<https://www.phoenixcontact.com/us/products/3069977>

## Environmental product compliance

### EU RoHS

Fulfills EU RoHS substance requirements	Yes
Exemption	6(c)

### China RoHS

Environment friendly use period (EFUP)	EFUP-50
	An article-related China RoHS declaration table can be found in the download area for the respective article under "Manufacturer declaration". For all articles with EFUP-E, no China RoHS declaration table issued and required.

### EU REACH SVHC

REACH candidate substance (CAS No.)	Lead(CAS: 7439-92-1)
SCIP	b8e8d0c5-0e83-43bc-9ce0-fbf09b5f9e0e

Phoenix Contact 2026 © - all rights reserved

<https://www.phoenixcontact.com>

Phoenix Contact USA  
586 Fulling Mill Road  
Middletown, PA 17057, United States  
(+717) 944-1300  
[info@phoenixcon.com](mailto:info@phoenixcon.com)