

# FTP-3/14S - Test plug



3069953

<https://www.phoenixcontact.com/us/products/3069953>

Please be informed that the data shown in this PDF document is generated from our online catalog. Please find the complete data in the user documentation. Our general terms of use for downloads are valid.

Test plug, nom. voltage: 400 V, nominal current: 20 A, number of positions: 14, Rated cross section: 2.5 mm<sup>2</sup>, color: gray



## Your advantages

- Space saving, thanks to offset test socket arrangement
- Easy and time saving, thanks to functional grouping of switching operations
- Cost-effective, thanks to the tailored, modular design and use of standardized CLIPLINE complete accessories
- The integrated, robust switch contact is designed for the most stringent demands, and the use of high-quality materials ensures the transmission of signal currents, even after multiple actuations
- The automatically generated transformer short circuit and the shock-proof design ensure the highest degree of safety during measurement
- Maximum safety with leading and automatic transformer short circuit

## Commercial data

Item number	3069953
Packing unit	1 pc
Minimum order quantity	1 pc
Sales key	BE06
Product key	BE6113
GTIN	4055626279275
Weight per piece (including packing)	705.8 g
Weight per piece (excluding packing)	705.8 g
Customs tariff number	85366990
Country of origin	PL

# FTP-3/14S - Test plug

3069953

<https://www.phoenixcontact.com/us/products/3069953>

## Technical data

### Product properties

Product type	Test plug terminal block
Product family	FAME 3
Number of positions	14
Pitch	8.2 mm
Potentials	14

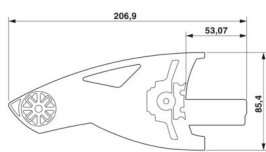
### Electrical properties

Maximum power dissipation for nominal condition	1.31 W
---	--------

### Connection data

Nominal cross section	6 mm <sup>2</sup>
Test socket torque	0.5
Note	The conductor cross-section depends on the cable lug used
Conductor cross-section flexible	0.5 mm <sup>2</sup> ... 2.5 mm <sup>2</sup>
Conductor cross-section, flexible [AWG]	20 ... 14 (converted acc. to IEC)
Nominal cross section	2.5 mm <sup>2</sup>
Nominal current	20 A
Maximum load current	20 A
Nominal voltage	400 V AC/DC

### Dimensions

Dimensional drawing	
Width	146.7 mm
Height	86 mm
Pitch	8.2 mm

### Material specifications

Color	gray (RAL 7042)
Flammability rating according to UL 94	V0
Insulating material	PA
Static insulating material application in cold	-60 °C
Temperature index of insulation material (DIN EN 60216-1 (VDE 0304-21))	125 °C
Relative insulation material temperature index (Elec., UL 746 B)	130 °C
Fire protection for rail vehicles (DIN EN 45545-2) R22	HL 1 - HL 3
Fire protection for rail vehicles (DIN EN 45545-2) R23	HL 1 - HL 3
Fire protection for rail vehicles (DIN EN 45545-2) R24	HL 1 - HL 3

# FTP-3/14S - Test plug



3069953

<https://www.phoenixcontact.com/us/products/3069953>

Fire protection for rail vehicles (DIN EN 45545-2) R26	HL 1 - HL 3
Calorimetric heat release NFPA 130 (ASTM E 1354)	27,5 MJ/kg
Surface flammability NFPA 130 (ASTM E 162)	passed
Specific optical density of smoke NFPA 130 (ASTM E 662)	passed
Smoke gas toxicity NFPA 130 (SMP 800C)	passed

## Environmental and real-life conditions

### Ambient conditions

Ambient temperature (storage/transport)	-25 °C ... 60 °C (for a short time, not exceeding 24 h, -60 °C to +70 °C)
Ambient temperature (assembly)	-5 °C ... 70 °C
Ambient temperature (actuation)	-5 °C ... 70 °C
Permissible humidity (storage/transport)	30 % ... 70 %

# FTP-3/14S - Test plug

3069953

<https://www.phoenixcontact.com/us/products/3069953>



## Drawings

Dimensional drawing



Circuit diagram



# FTP-3/14S - Test plug



3069953

<https://www.phoenixcontact.com/us/products/3069953>

## Approvals

To download certificates, visit the product detail page: <https://www.phoenixcontact.com/us/products/3069953>



**cULus Recognized**  
Approval ID: E60425



**cULus Recognized**  
Approval ID: E60425

	Nominal voltage $U_N$	Nominal current $I_N$	Cross section AWG	Cross section $\text{mm}^2$
B				
	600 V	31 A	-	-
C				
	600 V	31 A	-	-
F				
	690 V	31 A	-	-

# FTP-3/14S - Test plug



3069953

<https://www.phoenixcontact.com/us/products/3069953>

## Classifications

### ECLASS

ECLASS-13.0	27250304
ECLASS-15.0	27250304

### ETIM

ETIM 10.0	EC002555
-----------	----------

### UNSPSC

UNSPSC 21.0	20122000
-------------	----------

# FTP-3/14S - Test plug



3069953

<https://www.phoenixcontact.com/us/products/3069953>

## Environmental product compliance

### EU RoHS

Fulfills EU RoHS substance requirements	Yes, No exemptions
---	--------------------

### China RoHS

Environment friendly use period (EFUP)	EFUP-E
	No hazardous substances above the limits

### EU REACH SVHC

REACH candidate substance (CAS No.)	No substance above 0.1 wt%
-------------------------------------	----------------------------

Phoenix Contact 2026 © - all rights reserved  
<https://www.phoenixcontact.com>

Phoenix Contact USA  
586 Fulling Mill Road  
Middletown, PA 17057, United States  
(+717) 944-1300  
[info@phoenixcon.com](mailto:info@phoenixcon.com)