

FTP-3/4S - Test plug



3069950

<https://www.phoenixcontact.com/us/products/3069950>

Please be informed that the data shown in this PDF document is generated from our online catalog. Please find the complete data in the user documentation. Our general terms of use for downloads are valid.

Test plug, nom. voltage: 400 V, nominal current: 20 A, number of positions: 4, Rated cross section: 2.5 mm², color: gray



Your advantages

- Easy and time saving, thanks to functional grouping of switching operations
- Space saving, thanks to offset test socket arrangement
- Cost-effective, thanks to the tailored, modular design and use of standardized CLIPLINE complete accessories
- The automatically generated transformer short circuit and the shock-proof design ensure the highest degree of safety during measurement
- The integrated, robust switch contact is designed for the most stringent demands, and the use of high-quality materials ensures the transmission of signal currents, even after multiple actuations
- Maximum safety with leading and automatic transformer short circuit

Commercial data

| | |
|--------------------------------------|---------------|
| Item number | 3069950 |
| Packing unit | 1 pc |
| Minimum order quantity | 1 pc |
| Sales key | BE06 |
| Product key | BE6113 |
| GTIN | 4055626272689 |
| Weight per piece (including packing) | 326.5 g |
| Weight per piece (excluding packing) | 309.7 g |
| Customs tariff number | 85366990 |
| Country of origin | PL |

FTP-3/4S - Test plug

3069950

<https://www.phoenixcontact.com/us/products/3069950>

Technical data

Product properties

| | |
|---------------------|--------------------------|
| Product type | Test plug terminal block |
| Product family | FAME 3 |
| Number of positions | 4 |
| Pitch | 8.2 mm |
| Potentials | 4 |

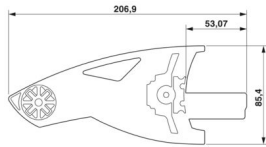
Electrical properties

| | |
|---|--------|
| Maximum power dissipation for nominal condition | 1.31 W |
|---|--------|

Connection data

| | |
|---|---|
| Test socket torque | 0.5 |
| Note | The conductor cross-section depends on the cable lug used |
| Conductor cross-section flexible | 0.5 mm ² ... 2.5 mm ² |
| Conductor cross-section, flexible [AWG] | 20 ... 14 (converted acc. to IEC) |
| Nominal cross section | 2.5 mm ² |
| Nominal current | 20 A |
| Maximum load current | 20 A |
| Nominal voltage | 400 V AC/DC |

Dimensions

| | |
|---------------------|--|
| Dimensional drawing |  |
| Width | 65.2 mm |
| Height | 86 mm |
| Pitch | 8.2 mm |

Material specifications

| | |
|---|-----------------|
| Color | gray (RAL 7042) |
| Flammability rating according to UL 94 | V0 |
| Insulating material | PA |
| Static insulating material application in cold | -60 °C |
| Temperature index of insulation material (DIN EN 60216-1 (VDE 0304-21)) | 125 °C |
| Relative insulation material temperature index (Elec., UL 746 B) | 130 °C |
| Fire protection for rail vehicles (DIN EN 45545-2) R22 | HL 1 - HL 3 |
| Fire protection for rail vehicles (DIN EN 45545-2) R23 | HL 1 - HL 3 |
| Fire protection for rail vehicles (DIN EN 45545-2) R24 | HL 1 - HL 3 |
| Fire protection for rail vehicles (DIN EN 45545-2) R26 | HL 1 - HL 3 |

FTP-3/4S - Test plug



3069950

<https://www.phoenixcontact.com/us/products/3069950>

| | |
|---|------------|
| Calorimetric heat release NFPA 130 (ASTM E 1354) | 27,5 MJ/kg |
| Surface flammability NFPA 130 (ASTM E 162) | passed |
| Specific optical density of smoke NFPA 130 (ASTM E 662) | passed |
| Smoke gas toxicity NFPA 130 (SMP 800C) | passed |

Environmental and real-life conditions

Ambient conditions

| | |
|--|---|
| Ambient temperature (storage/transport) | -25 °C ... 60 °C (for a short time, not exceeding 24 h, -60 °C to +70 °C) |
| Ambient temperature (assembly) | -5 °C ... 70 °C |
| Ambient temperature (actuation) | -5 °C ... 70 °C |
| Permissible humidity (storage/transport) | 30 % ... 70 % |

FTP-3/4S - Test plug

3069950

<https://www.phoenixcontact.com/us/products/3069950>



Drawings

Dimensional drawing



Circuit diagram



FTP-3/4S - Test plug




3069950

<https://www.phoenixcontact.com/us/products/3069950>

Approvals

To download certificates, visit the product detail page: <https://www.phoenixcontact.com/us/products/3069950>

 **cULus Recognized**
Approval ID: E60425

| | Nominal voltage U_N | Nominal current I_N | Cross section AWG | Cross section mm^2 |
|---|-----------------------|-----------------------|-------------------|-----------------------------|
| B | 600 V | 31 A | - | - |
| C | 600 V | 31 A | - | - |
| F | 690 V | 31 A | - | - |

FTP-3/4S - Test plug



3069950

<https://www.phoenixcontact.com/us/products/3069950>

Classifications

ECLASS

| | |
|-------------|----------|
| ECLASS-13.0 | 27250304 |
| ECLASS-15.0 | 27250304 |

ETIM

| | |
|-----------|----------|
| ETIM 10.0 | EC002555 |
|-----------|----------|

UNSPSC

| | |
|-------------|----------|
| UNSPSC 21.0 | 20122000 |
|-------------|----------|

FTP-3/4S - Test plug



3069950

<https://www.phoenixcontact.com/us/products/3069950>

Environmental product compliance

EU RoHS

| | |
|---|--------------------|
| Fulfills EU RoHS substance requirements | Yes, No exemptions |
|---|--------------------|

China RoHS

| | |
|--|--|
| Environment friendly use period (EFUP) | EFUP-E |
| | No hazardous substances above the limits |

EU REACH SVHC

| | |
|-------------------------------------|----------------------------|
| REACH candidate substance (CAS No.) | No substance above 0.1 wt% |
|-------------------------------------|----------------------------|

Phoenix Contact 2026 © - all rights reserved
<https://www.phoenixcontact.com>

Phoenix Contact USA
586 Fulling Mill Road
Middletown, PA 17057, United States
(+717) 944-1300
info@phoenixcon.com