

FTPR-2/H19 - Test plug



3069495

<https://www.phoenixcontact.com/us/products/3069495>

Please be informed that the data shown in this PDF document is generated from our online catalog. Please find the complete data in the user documentation. Our general terms of use for downloads are valid.

Test plug, with twist grip, VDE coded type H19, nom. voltage: 400 V, nominal current: 24 A, number of positions: 19, Rated cross section: 2.5 mm², color: gray



Your advantages

- Space saving, thanks to offset test socket arrangement
- Easy and time saving, thanks to functional grouping of switching operations
- Cost-effective, thanks to the tailored, modular design and use of standardized CLIPLINE complete accessories
- Safe, thanks to guided operation with patented twist grip
- The automatically generated transformer short circuit and the shock-proof design ensure the highest degree of safety during measurement
- Maximum safety with leading and automatic transformer short circuit
- The integrated, robust switch contact is designed for the most stringent demands, and the use of high-quality materials ensures the transmission of signal currents, even after multiple actuations

Commercial data

| | |
|--------------------------------------|---------------|
| Item number | 3069495 |
| Packing unit | 1 pc |
| Minimum order quantity | 1 pc |
| Product key | BE6112 |
| GTIN | 4046356943789 |
| Weight per piece (including packing) | 972.2 g |
| Weight per piece (excluding packing) | 972.2 g |
| Country of origin | PL |

FTPR-2/H19 - Test plug

3069495

<https://www.phoenixcontact.com/us/products/3069495>

Technical data

Product properties

| | |
|---------------------|--------------------------|
| Product type | Test plug terminal block |
| Product family | FAME 2 |
| Number of positions | 19 |
| Pitch | 8.2 mm |
| Potentials | 19 |

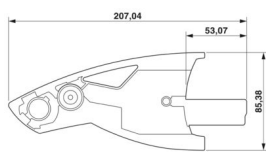
Electrical properties

| | |
|---|--------|
| Maximum power dissipation for nominal condition | 1.31 W |
|---|--------|

Connection data

| | |
|---|---|
| Nominal cross section | 6 mm ² |
| Test socket torque | 0.5 |
| Note | The conductor cross-section depends on the cable lug used |
| Conductor cross-section flexible | 0.5 mm ² ... 2.5 mm ² |
| Conductor cross-section, flexible [AWG] | 20 ... 14 (converted acc. to IEC) |
| Nominal cross section | 2.5 mm ² |
| Nominal current | 24 A |
| Maximum load current | 24 A |
| Nominal voltage | 400 V AC/DC |

Dimensions

| | |
|---------------------|--|
| Dimensional drawing |  |
| Width | 187.5 mm |
| Height | 86 mm |
| Pitch | 8.2 mm |

Material specifications

| | |
|---|-----------------|
| Color | gray (RAL 7042) |
| Flammability rating according to UL 94 | V0 |
| Insulating material | PA |
| Static insulating material application in cold | -60 °C |
| Temperature index of insulation material (DIN EN 60216-1 (VDE 0304-21)) | 125 °C |
| Relative insulation material temperature index (Elec., UL 746 B) | 130 °C |
| Fire protection for rail vehicles (DIN EN 45545-2) R22 | HL 1 - HL 3 |
| Fire protection for rail vehicles (DIN EN 45545-2) R23 | HL 1 - HL 3 |
| Fire protection for rail vehicles (DIN EN 45545-2) R24 | HL 1 - HL 3 |

FTPR-2/H19 - Test plug



3069495

<https://www.phoenixcontact.com/us/products/3069495>

| | |
|---|-------------|
| Fire protection for rail vehicles (DIN EN 45545-2) R26 | HL 1 - HL 3 |
| Calorimetric heat release NFPA 130 (ASTM E 1354) | 27,5 MJ/kg |
| Surface flammability NFPA 130 (ASTM E 162) | passed |
| Specific optical density of smoke NFPA 130 (ASTM E 662) | passed |
| Smoke gas toxicity NFPA 130 (SMP 800C) | passed |

Environmental and real-life conditions

Ambient conditions

| | |
|--|---|
| Ambient temperature (storage/transport) | -25 °C ... 60 °C (for a short time, not exceeding 24 h, -60 °C to +70 °C) |
| Ambient temperature (assembly) | -5 °C ... 70 °C |
| Ambient temperature (actuation) | -5 °C ... 70 °C |
| Permissible humidity (storage/transport) | 30 % ... 70 % |

FTPR-2/H19 - Test plug

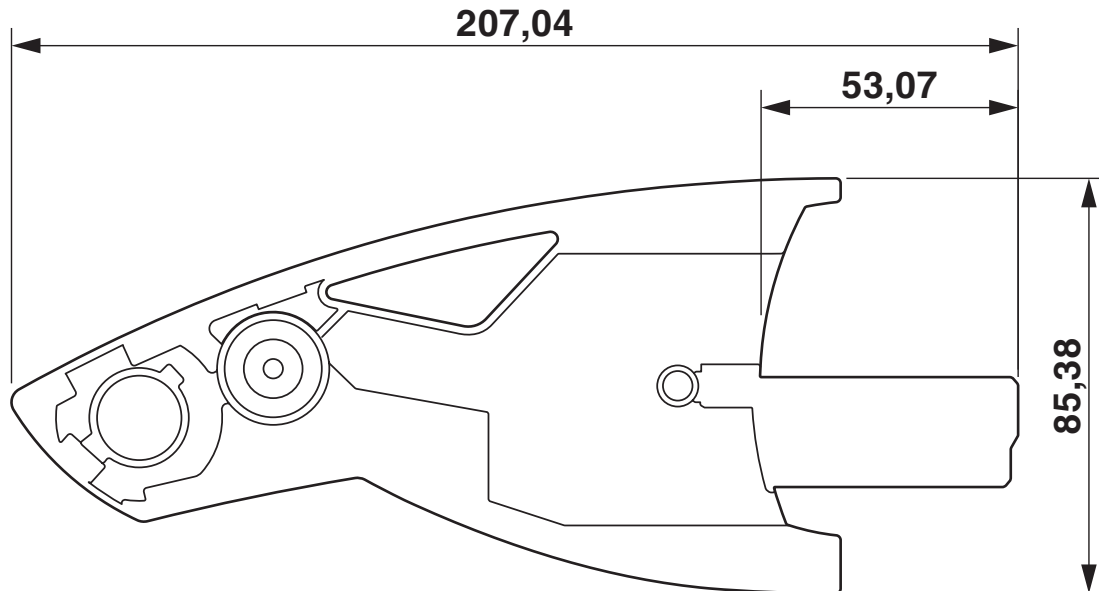


3069495

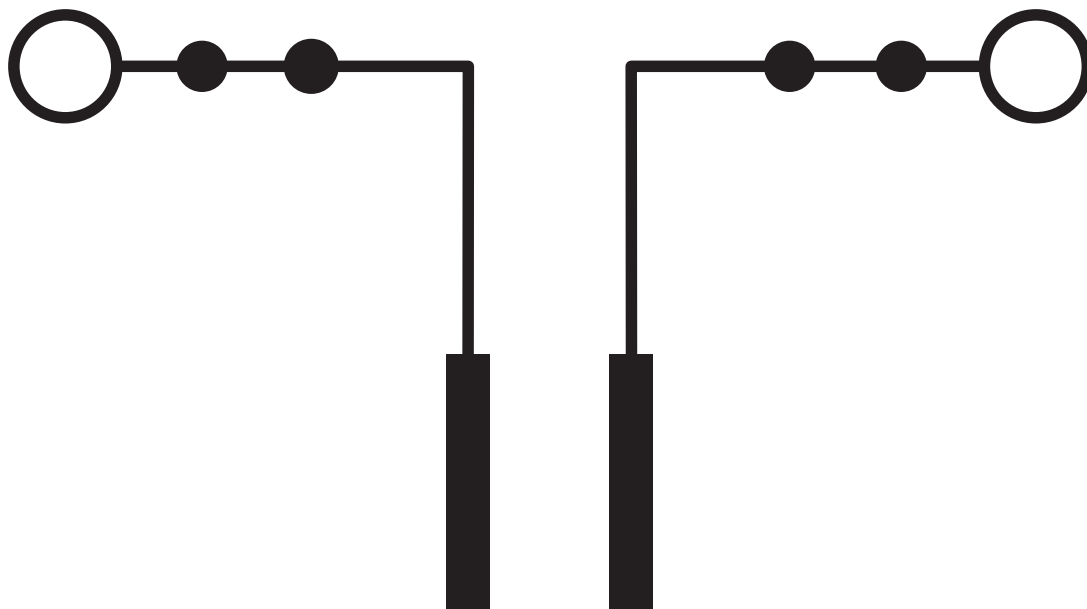
<https://www.phoenixcontact.com/us/products/3069495>

Drawings

Dimensional drawing



Circuit diagram



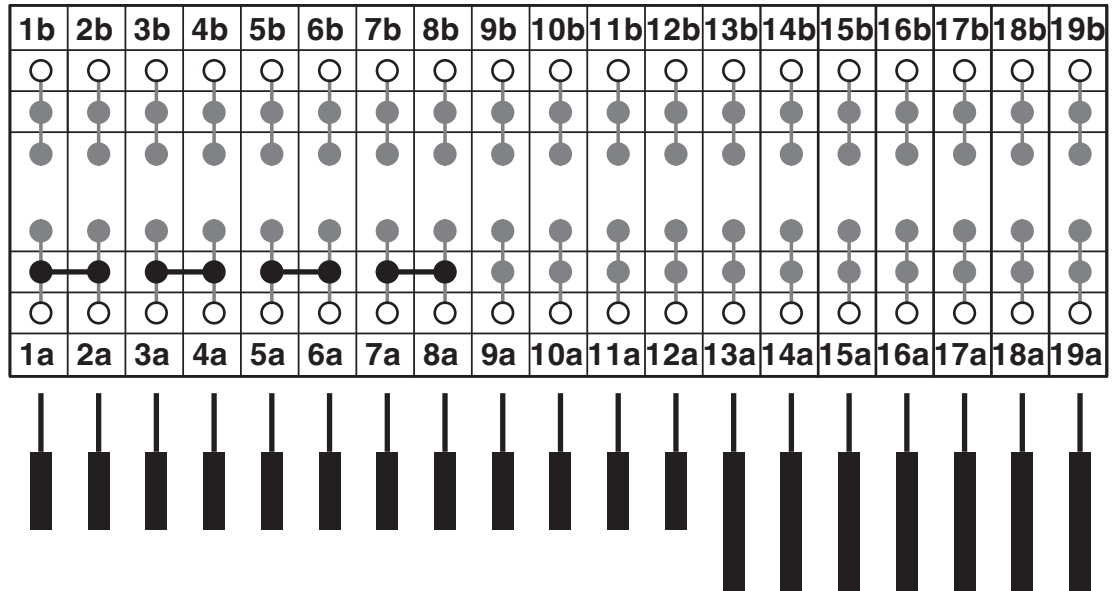
FTPR-2/H19 - Test plug



3069495

<https://www.phoenixcontact.com/us/products/3069495>

Circuit diagram



Circuit diagram shows the plug-in test socket with test plug inserted

FTPR-2/H19 - Test plug





3069495

<https://www.phoenixcontact.com/us/products/3069495>

Approvals

To download certificates, visit the product detail page: <https://www.phoenixcontact.com/us/products/3069495>

|  cULus Recognized Approval ID: E60425 | | | | |
|--|-----------------------|-----------------------|-------------------|-----------------------------|
| | Nominal voltage U_N | Nominal current I_N | Cross section AWG | Cross section mm^2 |
| B | 300 V | 31 A | - | - |
| C | 300 V | 31 A | - | - |
| F | 690 V | 31 A | - | - |
| D | 600 V | 5 A | - | - |

|  CSA Approval ID: 13631 | | | | |
|--|-----------------------|-----------------------|-------------------|-----------------------------|
| | Nominal voltage U_N | Nominal current I_N | Cross section AWG | Cross section mm^2 |
| B | 300 V | 31 A | - | - |
| C | 300 V | 31 A | - | - |
| D | 600 V | 5 A | - | - |

|  EAC Approval ID: KZ7500651131219505 | | | | |
|---|--|--|--|--|
|---|--|--|--|--|

FTPR-2/H19 - Test plug



3069495

<https://www.phoenixcontact.com/us/products/3069495>

Classifications

ECLASS

| | |
|-------------|----------|
| ECLASS-13.0 | 27250304 |
| ECLASS-15.0 | 27250304 |

ETIM

| | |
|-----------|----------|
| ETIM 10.0 | EC002555 |
|-----------|----------|

UNSPSC

| | |
|-------------|----------|
| UNSPSC 21.0 | 20122000 |
|-------------|----------|

FTPR-2/H19 - Test plug



3069495

<https://www.phoenixcontact.com/us/products/3069495>

Environmental product compliance

EU RoHS

| | |
|---|------|
| Fulfills EU RoHS substance requirements | Yes |
| Exemption | 6(c) |

China RoHS

| | |
|--|---|
| Environment friendly use period (EFUP) | EFUP-50 |
| | An article-related China RoHS declaration table can be found in the download area for the respective article under "Manufacturer declaration". For all articles with EFUP-E, no China RoHS declaration table issued and required. |

EU REACH SVHC

| | |
|-------------------------------------|--------------------------------------|
| REACH candidate substance (CAS No.) | Lead(CAS: 7439-92-1) |
| SCIP | 7b7fab7c-4bac-49c2-ac69-34c097613fe0 |

Phoenix Contact 2026 © - all rights reserved

<https://www.phoenixcontact.com>

Phoenix Contact USA
586 Fulling Mill Road
Middletown, PA 17057, United States
(+717) 944-1300
info@phoenixcon.com