

# KDT-ST 11 - Filler plug

3064001

<https://www.phoenixcontact.com/us/products/3064001>

Please be informed that the data shown in this PDF document is generated from our online catalog. Please find the complete data in the user documentation. Our general terms of use for downloads are valid.

Filler plug, material: PA, length: 20 mm, diameter: 11 mm



## Commercial data

Item number	3064001
Packing unit	25 pc
Minimum order quantity	25 pc
Sales key	BF67
Product key	AF7CZX
GTIN	4046356301466
Weight per piece (including packing)	2.08 g
Weight per piece (excluding packing)	2.01 g
Customs tariff number	39174000
Country of origin	DE

# KDT-ST 11 - Filler plug

3064001

<https://www.phoenixcontact.com/us/products/3064001>

## Technical data

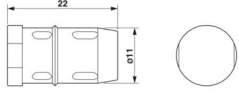
### Notes

General	The filler plugs are used to seal unused cable sleeves.
---------	---

### Product properties

Product type	Sealing plugs
--------------	---------------

### Dimensions

Dimensional drawing	
Length	20 mm
Diameter	11 mm

### Material specifications

Color	black (RAL 9005)
Material	PA

### Environmental and real-life conditions

#### Ambient conditions

Degree of protection	IP54 (Observe the assembly instructions)
Ambient temperature (operation)	-20 °C ... 80 °C

### Mounting

Assembly note	IP54: for vertical sealing frame mounting/for horizontal sealing frame mounting (downward cable outlet direction).
---------------	--

# KDT-ST 11 - Filler plug

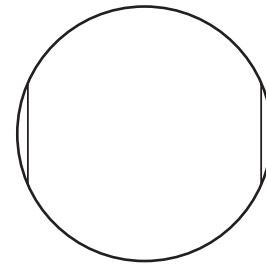
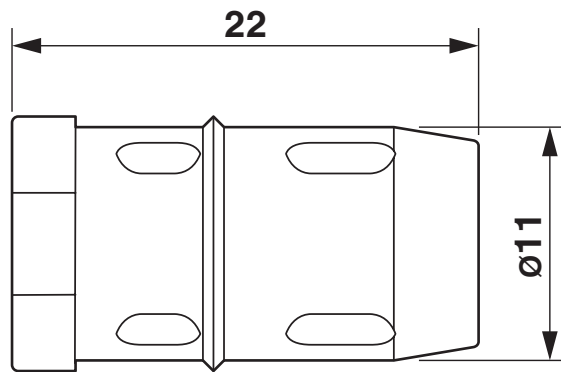
3064001

<https://www.phoenixcontact.com/us/products/3064001>



## Drawings

Dimensional drawing



Dimensional drawing

# KDT-ST 11 - Filler plug



3064001

<https://www.phoenixcontact.com/us/products/3064001>

## Classifications

### ECLASS

ECLASS-13.0	23111190
ECLASS-15.0	27144492

### ETIM

ETIM 10.0	EC002610
-----------	----------

### UNSPSC

UNSPSC 21.0	39121300
-------------	----------

# KDT-ST 11 - Filler plug



3064001

<https://www.phoenixcontact.com/us/products/3064001>

## Environmental product compliance

### EU RoHS

Fulfills EU RoHS substance requirements	Yes, No exemptions
---	--------------------

### China RoHS

Environment friendly use period (EFUP)	EFUP-E
	No hazardous substances above the limits

### EU REACH SVHC

REACH candidate substance (CAS No.)	No substance above 0.1 wt%
-------------------------------------	----------------------------

Phoenix Contact 2026 © - all rights reserved  
<https://www.phoenixcontact.com>

Phoenix Contact USA  
586 Fulling Mill Road  
Middletown, PA 17057, United States  
(+717) 944-1300  
[info@phoenixcon.com](mailto:info@phoenixcon.com)