

# KEL 24/4 - Sealing frame

3063057

<https://www.phoenixcontact.com/us/products/3063057>



Please be informed that the data shown in this PDF document is generated from our online catalog. Please find the complete data in the user documentation. Our general terms of use for downloads are valid.

Sealing frame, material: PA, color: black, length: 147 mm, width: 58 mm, height: 17 mm



## Product description

KEL sealing sleeves, large

## Commercial data

Item number	3063057
Packing unit	1 pc
Note	Made to order (non-returnable)
Sales key	NULL
Product key	AF7CAX
GTIN	4046356300780
Weight per piece (including packing)	111.88 g
Weight per piece (excluding packing)	10 g
Customs tariff number	39174000
Country of origin	DE

# KEL 24/4 - Sealing frame

3063057

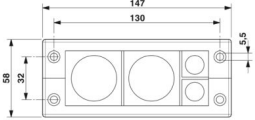
<https://www.phoenixcontact.com/us/products/3063057>

## Technical data

### Product properties

Product type	Frame for cable sleeves
--------------	-------------------------

### Dimensions

Dimensional drawing	
Width	58 mm
Height	17 mm
Length	147 mm
Drill hole distance, horizontal	32 mm
Drill hole distance, vertical	130 mm
Hole diameter	5.5 mm

### Installation dimensions

Width of the assembly cutout	35 mm
Length of the assembly cutout	112 mm

### Material specifications

Material	PA
Flammability rating according to UL 94	V0

### Environmental and real-life conditions

#### Ambient conditions

Ambient temperature (operation)	-20 °C ... 80 °C
---------------------------------	------------------

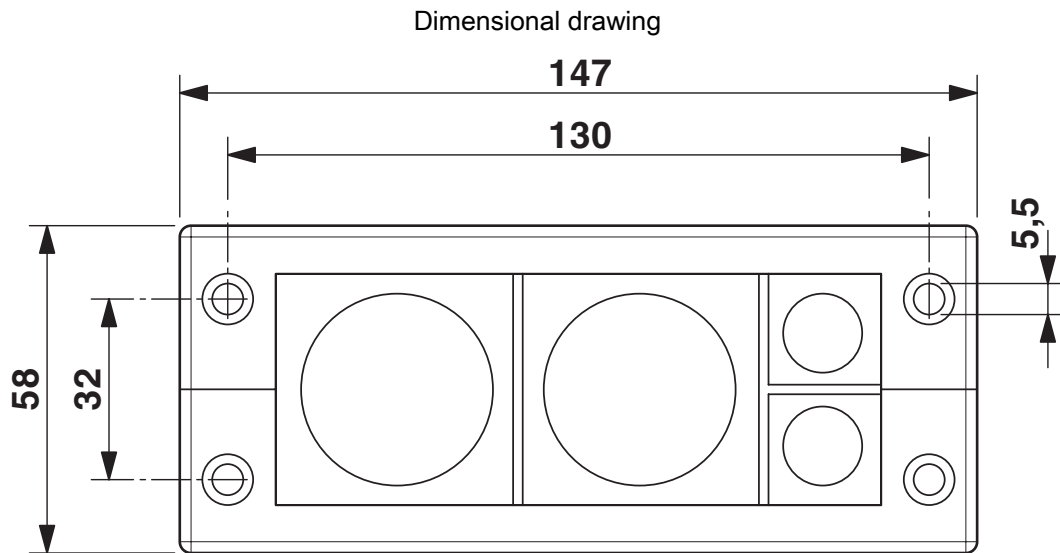
# KEL 24/4 - Sealing frame

3063057

<https://www.phoenixcontact.com/us/products/3063057>



## Drawings



# KEL 24/4 - Sealing frame

3063057

<https://www.phoenixcontact.com/us/products/3063057>



## Classifications

### ECLASS

ECLASS-13.0	27142421
ECLASS-15.0	27142421

# KEL 24/4 - Sealing frame

3063057

<https://www.phoenixcontact.com/us/products/3063057>



## Environmental product compliance

EU REACH SVHC

REACH candidate substance (CAS No.)	
-------------------------------------	--

	No substance above 0.1 wt%
--	----------------------------

Phoenix Contact 2026 © - all rights reserved

<https://www.phoenixcontact.com>

Phoenix Contact USA  
586 Fulling Mill Road  
Middletown, PA 17057, United States  
(+717) 944-1300  
[info@phoenixcon.com](mailto:info@phoenixcon.com)