

KEL 16/8 - Sealing frame

3063044

<https://www.phoenixcontact.com/us/products/3063044>



Please be informed that the data shown in this PDF document is generated from our online catalog. Please find the complete data in the user documentation. Our general terms of use for downloads are valid.

Sealing frame, material: PA, color: black, length: 120 mm, width: 58 mm, height: 17 mm



Product description

KEL sealing sleeves, small

Commercial data

Item number	3063044
Packing unit	1 pc
Note	Made to order (non-returnable)
Sales key	NULL
Product key	AF7CAX
GTIN	4046356300773
Weight per piece (including packing)	99.21 g
Weight per piece (excluding packing)	93.05 g
Customs tariff number	39174000
Country of origin	DE

KEL 16/8 - Sealing frame

3063044

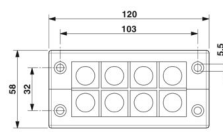
<https://www.phoenixcontact.com/us/products/3063044>

Technical data

Product properties

Product type	Frame for cable sleeves
--------------	-------------------------

Dimensions

Dimensional drawing	
Width	58 mm
Height	17 mm
Length	120 mm
Drill hole distance, horizontal	32 mm
Drill hole distance, vertical	103 mm
Hole diameter	5.5 mm

Installation dimensions

Width of the assembly cutout	35 mm
Length of the assembly cutout	86 mm

Material specifications

Material	PA
Flammability rating according to UL 94	V0

Environmental and real-life conditions

Ambient conditions

Ambient temperature (operation)	-20 °C ... 80 °C
---------------------------------	------------------

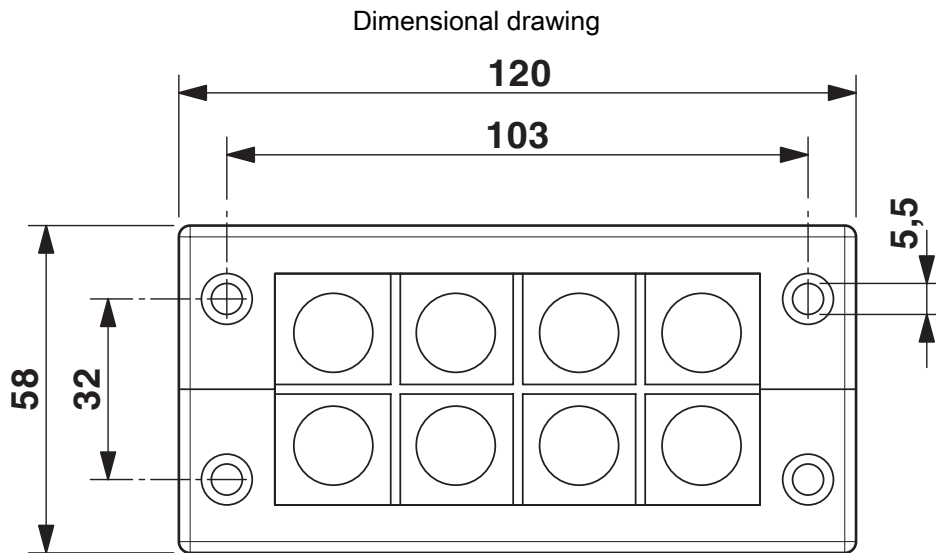
KEL 16/8 - Sealing frame

3063044

<https://www.phoenixcontact.com/us/products/3063044>



Drawings



KEL 16/8 - Sealing frame

3063044

<https://www.phoenixcontact.com/us/products/3063044>



Classifications

ECLASS

ECLASS-13.0	27142421
ECLASS-15.0	27142421

KEL 16/8 - Sealing frame

3063044

<https://www.phoenixcontact.com/us/products/3063044>



Environmental product compliance

EU REACH SVHC

REACH candidate substance (CAS No.)	No substance above 0.1 wt%
-------------------------------------	----------------------------

Phoenix Contact 2026 © - all rights reserved

<https://www.phoenixcontact.com>

Phoenix Contact USA
586 Fulling Mill Road
Middletown, PA 17057, United States
(+717) 944-1300
info@phoenixcon.com