

KEL 16/5 - Sealing frame

3063031

<https://www.phoenixcontact.com/us/products/3063031>



Please be informed that the data shown in this PDF document is generated from our online catalog. Please find the complete data in the user documentation. Our general terms of use for downloads are valid.

Sealing frame, material: PA, color: black, length: 120 mm, width: 58 mm, height: 17 mm



Product description

KEL sealing sleeves, small

Commercial data

| | |
|--------------------------------------|--------------------------------|
| Item number | 3063031 |
| Packing unit | 1 pc |
| Note | Made to order (non-returnable) |
| Sales key | NULL |
| Product key | AF7CAX |
| GTIN | 4046356300766 |
| Weight per piece (including packing) | 94.88 g |
| Weight per piece (excluding packing) | 94.88 g |
| Customs tariff number | 39174000 |
| Country of origin | DE |

KEL 16/5 - Sealing frame

3063031

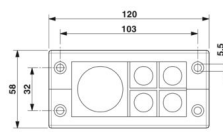
<https://www.phoenixcontact.com/us/products/3063031>

Technical data

Product properties

| | |
|--------------|-------------------------|
| Product type | Frame for cable sleeves |
|--------------|-------------------------|

Dimensions

| | |
|---------------------------------|--|
| Dimensional drawing |  |
| Width | 58 mm |
| Height | 17 mm |
| Length | 120 mm |
| Drill hole distance, horizontal | 32 mm |
| Drill hole distance, vertical | 103 mm |
| Hole diameter | 5.5 mm |

Installation dimensions

| | |
|-------------------------------|-------|
| Width of the assembly cutout | 35 mm |
| Length of the assembly cutout | 86 mm |

Material specifications

| | |
|--|----|
| Material | PA |
| Flammability rating according to UL 94 | V0 |

Environmental and real-life conditions

Ambient conditions

| | |
|---------------------------------|------------------|
| Ambient temperature (operation) | -20 °C ... 80 °C |
|---------------------------------|------------------|

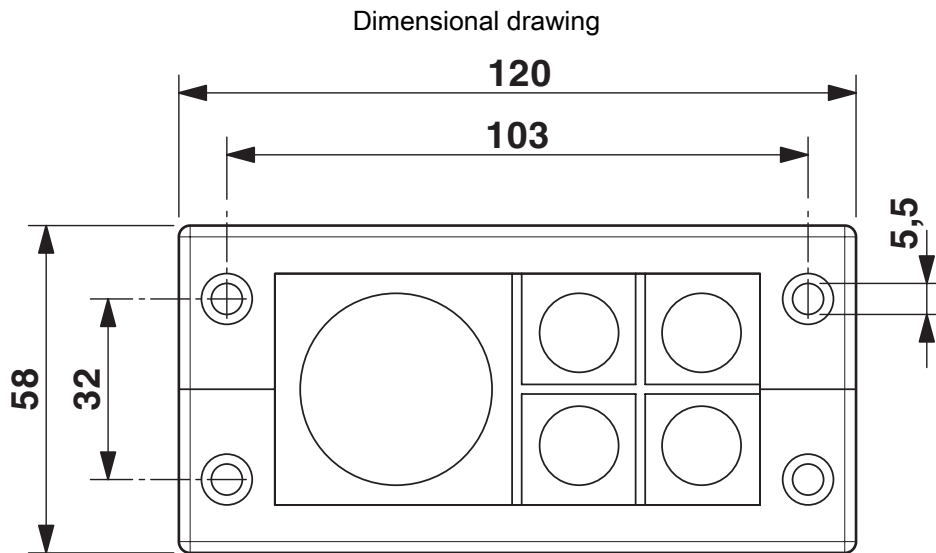
KEL 16/5 - Sealing frame

3063031

<https://www.phoenixcontact.com/us/products/3063031>



Drawings



KEL 16/5 - Sealing frame

3063031

<https://www.phoenixcontact.com/us/products/3063031>



Classifications

ECLASS

| | |
|-------------|----------|
| ECLASS-13.0 | 27142421 |
| ECLASS-15.0 | 27142421 |

KEL 16/5 - Sealing frame

3063031

<https://www.phoenixcontact.com/us/products/3063031>



Environmental product compliance

EU REACH SVHC

| REACH candidate substance (CAS No.) | |
|-------------------------------------|--|
|-------------------------------------|--|

| | |
|--|----------------------------|
| | No substance above 0.1 wt% |
|--|----------------------------|

Phoenix Contact 2026 © - all rights reserved

<https://www.phoenixcontact.com>

Phoenix Contact USA
586 Fulling Mill Road
Middletown, PA 17057, United States
(+717) 944-1300
info@phoenixcon.com