

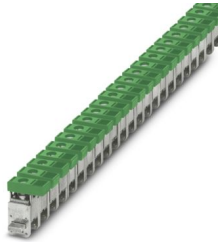
AKG 35 GN - Connection terminal block



3062993

<https://www.phoenixcontact.com/us/products/3062993>

Please be informed that the data shown in this PDF document is generated from our online catalog. Please find the complete data in the user documentation. Our general terms of use for downloads are valid.



Connection terminal block, nom. voltage: 300 V, nominal current: 125 A, connection method: Screw connection, Rated cross section: 35 mm², cross section: 2.5 mm² - 35 mm², mounting: Neutral busbar, color: green

Commercial data

Item number	3062993
Packing unit	50 pc
Minimum order quantity	50 pc
Sales key	BE73
Product key	BE7331
GTIN	4046356558389
Weight per piece (including packing)	20.2 g
Weight per piece (excluding packing)	20.2 g
Customs tariff number	85369010
Country of origin	PL

AKG 35 GN - Connection terminal block



3062993

<https://www.phoenixcontact.com/us/products/3062993>

Technical data

Product properties

Product type	Installation terminal block
Number of connections	1
Number of rows	1

Electrical properties

Maximum load current	125 A (with 35 mm ² conductor cross-section)
Maximum power dissipation for nominal condition	4.06 W
Nominal current I _N	125 A
Current carrying capacity of the neutral busbar	140 A

Connection data

Nominal cross section	35 mm ²
Maximum load current	125 A (with 35 mm ² conductor cross-section)

Level 1 above 1 below 1

Connection method	Screw connection
Screw thread	M6
Tightening torque	3.2 ... 3.7 Nm
Stripping length	16 mm
Connection in acc. with standard	IEC / EN
Conductor cross-section rigid	2.5 mm ² ... 35 mm ²
Cross section AWG	12 ... 2 (converted acc. to IEC)
Conductor cross-section flexible	2.5 mm ² ... 35 mm ²
Conductor cross-section, flexible [AWG]	12 ... 2 (converted acc. to IEC)
Conductor cross-section flexible (ferrule without plastic sleeve)	2.5 mm ² ... 35 mm ²
Flexible conductor cross-section (ferrule with plastic sleeve)	2.5 mm ² ... 35 mm ²
2 conductors with same cross section, rigid	1.5 mm ² ... 16 mm ²
2 conductors with same cross section, flexible	1.5 mm ² ... 16 mm ²
2 conductors with same cross section, flexible, with ferrule without plastic sleeve	1.5 mm ² ... 16 mm ²
2 conductors with the same cross section, flexible, with TWIN ferrule with plastic sleeve	1.5 mm ² ... 10 mm ²
Nominal cross section	35 mm ²
Nominal current	125 A
Maximum load current	125 A (with 35 mm ² conductor cross-section)
Nominal voltage	300 V

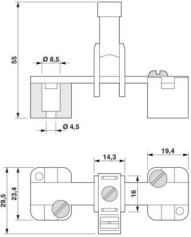
Dimensions

AKG 35 GN - Connection terminal block



3062993

<https://www.phoenixcontact.com/us/products/3062993>

Dimensional drawing	
Width	14.3 mm
Height	27 mm
Depth	39 mm
Length	27 mm

Material specifications

Color	green (RAL 6021)
Flammability rating according to UL 94	V2
Insulating material	PA

Standards and regulations

Connection in acc. with standard	IEC / EN
----------------------------------	----------

Mounting

Mounting type	Neutral busbar
---------------	----------------

AKG 35 GN - Connection terminal block

3062993

<https://www.phoenixcontact.com/us/products/3062993>

Drawings

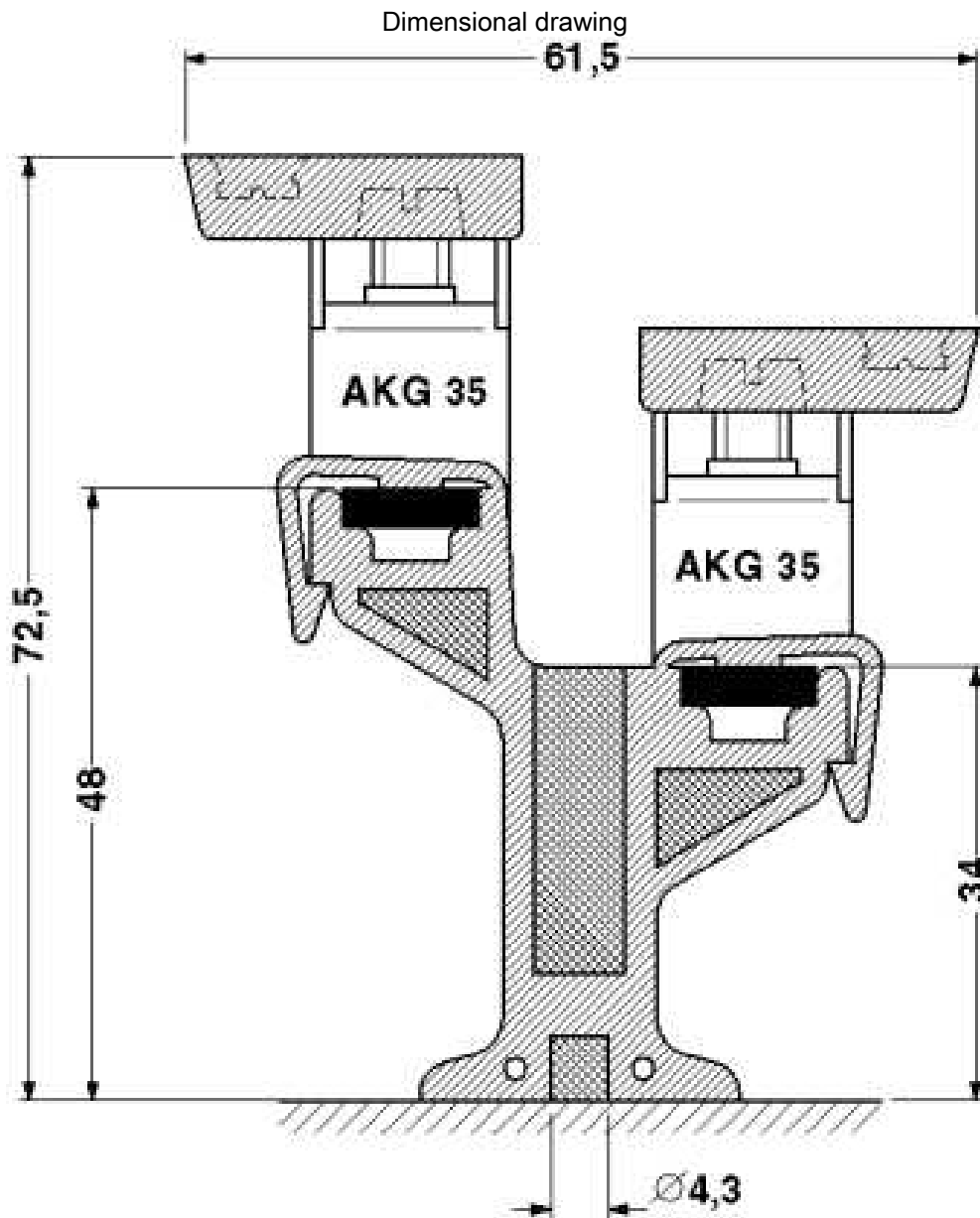
Dimensional drawing



AKG 35 GN - Connection terminal block

3062993

<https://www.phoenixcontact.com/us/products/3062993>



AKG 35 GN - Connection terminal block





3062993


<https://www.phoenixcontact.com/us/products/3062993>

Approvals

To download certificates, visit the product detail page: <https://www.phoenixcontact.com/us/products/3062993>

 CSA Approval ID: 13631				
	Nominal voltage U_N	Nominal current I_N	Cross section AWG	Cross section mm^2
keine				
	-	135 A	18 - 2	-

 UL Recognized Approval ID: E60425				
	Nominal voltage U_N	Nominal current I_N	Cross section AWG	Cross section mm^2
B				
	-	115 A	18 - 2	-
C				
	-	115 A	18 - 2	-
F				
	-	115 A	18 - 2	-

 EAC Approval ID: KZ7500651131219505				
---	--	--	--	--

AKG 35 GN - Connection terminal block



3062993

<https://www.phoenixcontact.com/us/products/3062993>

Classifications

ECLASS

ECLASS-13.0	27250116
ECLASS-15.0	27250116

ETIM

ETIM 10.0	EC000001
-----------	----------

UNSPSC

UNSPSC 21.0	31162900
-------------	----------

AKG 35 GN - Connection terminal block



3062993

<https://www.phoenixcontact.com/us/products/3062993>

Environmental product compliance

EU RoHS

Fulfills EU RoHS substance requirements	Yes, No exemptions
---	--------------------

China RoHS

Environment friendly use period (EFUP)	EFUP-E
	No hazardous substances above the limits

EU REACH SVHC

REACH candidate substance (CAS No.)	No substance above 0.1 wt%
-------------------------------------	----------------------------

Phoenix Contact 2026 © - all rights reserved
<https://www.phoenixcontact.com>

Phoenix Contact USA
586 Fulling Mill Road
Middletown, PA 17057, United States
(+717) 944-1300
info@phoenixcon.com