

# AKG 4 GN - Connection terminal block



3062935

<https://www.phoenixcontact.com/us/products/3062935>

Please be informed that the data shown in this PDF document is generated from our online catalog. Please find the complete data in the user documentation. Our general terms of use for downloads are valid.



Connection terminal block, nom. voltage: 300 V, nominal current: 41 A, connection method: Screw connection, Rated cross section: 4 mm<sup>2</sup>, cross section: 0.5 mm<sup>2</sup> - 6 mm<sup>2</sup>, mounting: Neutral busbar, color: green

## Commercial data

Item number	3062935
Packing unit	50 pc
Minimum order quantity	50 pc
Sales key	BE73
Product key	BE7331
GTIN	4046356558327
Weight per piece (including packing)	5.545 g
Weight per piece (excluding packing)	5.469 g
Customs tariff number	85369010
Country of origin	IN

# AKG 4 GN - Connection terminal block



3062935

<https://www.phoenixcontact.com/us/products/3062935>

## Technical data

### Product properties

Product type	Installation terminal block
Number of connections	1
Number of rows	1

### Electrical properties

Maximum load current	41 A
Maximum power dissipation for nominal condition	1.02 W
Nominal current $I_N$	32 A
Current carrying capacity of the neutral busbar	140 A

### Connection data

Nominal cross section	4 mm <sup>2</sup>
Maximum load current	41 A

#### Level 1 above 1 below 1

Connection method	Screw connection
Screw thread	M4
Tightening torque	1.5 ... 1.8 Nm
Stripping length	16 mm
Conductor cross-section rigid	0.5 mm <sup>2</sup> ... 6 mm <sup>2</sup>
Cross section AWG	20 ... 10 (converted acc. to IEC)
Conductor cross-section flexible	0.5 mm <sup>2</sup> ... 4 mm <sup>2</sup>
Conductor cross-section, flexible [AWG]	20 ... 12 (converted acc. to IEC)
Conductor cross-section flexible (ferrule without plastic sleeve)	0.5 mm <sup>2</sup> ... 6 mm <sup>2</sup>
Flexible conductor cross-section (ferrule with plastic sleeve)	0.5 mm <sup>2</sup> ... 6 mm <sup>2</sup>
2 conductors with same cross section, rigid	0.5 mm <sup>2</sup> ... 2.5 mm <sup>2</sup>
2 conductors with same cross section, flexible	0.5 mm <sup>2</sup> ... 2.5 mm <sup>2</sup>
2 conductors with same cross section, flexible, with ferrule without plastic sleeve	0.5 mm <sup>2</sup> ... 2.5 mm <sup>2</sup>
2 conductors with the same cross section, flexible, with TWIN ferrule with plastic sleeve	0.5 mm <sup>2</sup> ... 2.5 mm <sup>2</sup>
Nominal cross section	4 mm <sup>2</sup>
Nominal current	41 A
Maximum load current	41 A (with 6 mm <sup>2</sup> conductor cross-section)
Nominal voltage	300 V

### Dimensions

# AKG 4 GN - Connection terminal block



3062935

<https://www.phoenixcontact.com/us/products/3062935>

Dimensional drawing	
Width	7 mm
Height	23.7 mm
Depth	23.6 mm
Length	23.7 mm

## Material specifications

Color	green (RAL 6021)
Flammability rating according to UL 94	V2
Insulating material	PA
Temperature index of insulation material (DIN EN 60216-1 (VDE 0304-21))	125 °C
Relative insulation material temperature index (Elec., UL 746 B)	125 °C

## Electrical tests

### Temperature-rise test

Requirement temperature-rise test	Increase in temperature $\leq 45$ K
Result	Test passed
Result	Test passed

## Environmental and real-life conditions

### Ambient conditions

Ambient temperature (operation)	-60 °C ... 110 °C (Operating temperature range incl. self-heating; for max. short-term operating temperature, see RTI Elec.)
Ambient temperature (storage/transport)	-25 °C ... 60 °C (for a short time, not exceeding 24 h, -60 °C to +70 °C)
Ambient temperature (assembly)	-5 °C ... 70 °C
Ambient temperature (actuation)	-5 °C ... 70 °C
Permissible humidity (operation)	20 % ... 90 %
Permissible humidity (storage/transport)	30 % ... 70 %

## Mounting

Mounting type	Neutral busbar
---------------	----------------

# AKG 4 GN - Connection terminal block

3062935

<https://www.phoenixcontact.com/us/products/3062935>

## Drawings

Dimensional drawing



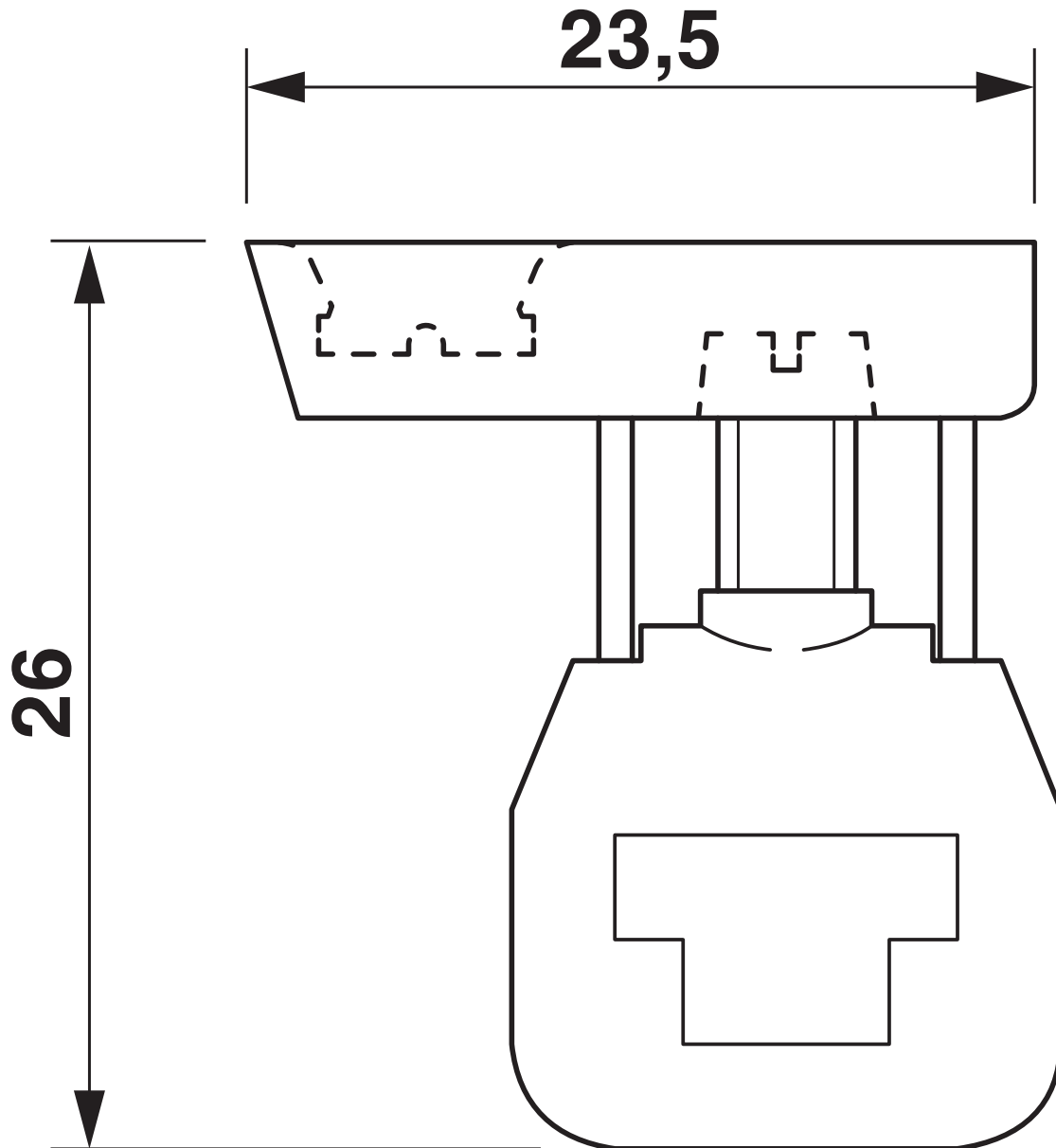
# AKG 4 GN - Connection terminal block



3062935

<https://www.phoenixcontact.com/us/products/3062935>

Dimensional drawing



# AKG 4 GN - Connection terminal block





3062935


<https://www.phoenixcontact.com/us/products/3062935>

## Approvals

To download certificates, visit the product detail page: <https://www.phoenixcontact.com/us/products/3062935>

 <b>CSA</b> Approval ID: 13631				
	Nominal voltage $U_N$	Nominal current $I_N$	Cross section AWG	Cross section $mm^2$
keine				
	-	20 A	22 - 12	-

 <b>EAC</b> Approval ID: KZ7500651131219505				
---	--	--	--	--

 <b>cULus Recognized</b> Approval ID: E60425				
	Nominal voltage $U_N$	Nominal current $I_N$	Cross section AWG	Cross section $mm^2$
<b>B</b>				
Field wiring	-	20 A	22 - 12	-
Factory wiring	-	30 A	- 10	-
<b>C</b>				
Field wiring	-	20 A	22 - 12	-
Factory wiring	-	30 A	- 10	-
<b>F</b>				
Field wiring	-	20 A	22 - 12	-
Factory wiring	-	30 A	- 10	-

# AKG 4 GN - Connection terminal block



3062935

<https://www.phoenixcontact.com/us/products/3062935>

## Classifications

### ECLASS

ECLASS-13.0	27250116
ECLASS-15.0	27250116

### ETIM

ETIM 10.0	EC000001
-----------	----------

### UNSPSC

UNSPSC 21.0	31162900
-------------	----------

# AKG 4 GN - Connection terminal block



3062935

<https://www.phoenixcontact.com/us/products/3062935>

## Environmental product compliance

### EU RoHS

Fulfills EU RoHS substance requirements	Yes, No exemptions
---	--------------------

### China RoHS

Environment friendly use period (EFUP)	EFUP-E
	No hazardous substances above the limits

### EU REACH SVHC

REACH candidate substance (CAS No.)	No substance above 0.1 wt%
-------------------------------------	----------------------------

Phoenix Contact 2026 © - all rights reserved  
<https://www.phoenixcontact.com>

Phoenix Contact USA  
586 Fulling Mill Road  
Middletown, PA 17057, United States  
(+717) 944-1300  
[info@phoenixcon.com](mailto:info@phoenixcon.com)