

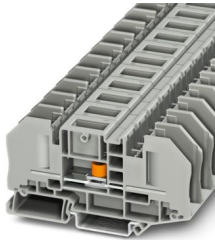
RTO 5-T - Test disconnect terminal block



3049233

<https://www.phoenixcontact.com/us/products/3049233>

Please be informed that the data shown in this PDF document is generated from our online catalog. Please find the complete data in the user documentation. Our general terms of use for downloads are valid.



Disconnect terminal block with bolt connection method, cross section: 0.1 - 6 mm², AWG: 26 - 10, width: 16.3 mm, color: gray

Your advantages

- Four bridge shafts per terminal block
- Terminal point always freely accessible
- Easy bridging and potential distribution using the patented plug-in bridges from the CLIPLINE complete system
- The screws are secured against loosening by captive spring-loaded spacers
- Large-surface labeling options in the terminal center and above the terminal points
- The use of the switching lock effectively prevents unintentional switching

Commercial data

Item number	3049233
Packing unit	25 pc
Minimum order quantity	25 pc
Sales key	BE43
Product key	BE4333
GTIN	4046356140010
Weight per piece (including packing)	40.725 g
Weight per piece (excluding packing)	40.614 g
Customs tariff number	85369010
Country of origin	CN

RTO 5-T - Test disconnect terminal block



3049233

<https://www.phoenixcontact.com/us/products/3049233>

Technical data

Notes

General	Note: the BE-RT... path extension is to be used for non-insulated cable lugs (see accessories).
---------	---

Product properties

Product type	Bolt connection terminal block
Product family	RTO
Number of connections	2
Number of rows	1
Potentials	1

Insulation characteristics

Overvoltage category	III
Degree of pollution	3

Electrical properties

Rated surge voltage	6 kV
Maximum power dissipation for nominal condition	1.31 W

Connection data

Number of connections per level	2
Nominal cross section	6 mm ²
Tightening torque disconnect slide	M4 1.5 ... 1.8 Nm
Connection method	Bolt connection
Stripping length	The stripping length depends on the specification provided by the cable lug manufacturer.
Connection in acc. with standard	IEC 60947-7-1
Nominal cross section	6 mm ²
Nominal current	41 A
Maximum load current	41 A (with 6 mm ² conductor cross-section)
Nominal voltage	500 V

Disconnect slide

Screw thread	M4
--------------	----

Cable lug connection DIN 46234:1980-03

Connection in acc. with standard	DIN 46234:1980-03
Cross section	0.5 mm ² ... 6 mm ²
Cross section range AWG	20 ... 10 (converted acc. to IEC)
Hole diameter	5.3 mm
Width	10 mm
Bolt diameter	5 mm
Screw thread	M5

RTO 5-T - Test disconnect terminal block



3049233

<https://www.phoenixcontact.com/us/products/3049233>

Tightening torque	2.5 ... 3 Nm
Connection in acc. with standard	DIN 46237:1970-07
Cross section	1 mm ² ... 6 mm ²
Cross section range AWG	16 ... 10 (converted acc. to IEC)
Hole diameter	5.3 mm
Width	10 mm
Bolt diameter	5 mm
Screw thread	M5
Tightening torque	2.5 ... 3 Nm
Identification color of ring cable lugs : red	1 mm ²
Identification color of ring cable lugs : blue	2.5 mm ²
Identification color of ring cable lugs : yellow	6 mm ²

Dimensions

Width	16.3 mm
End cover width	2.2 mm
Height	91.4 mm
Depth on NS 35/7,5	49.9 mm
Depth on NS 35/15	57.4 mm

Material specifications

Color	gray (RAL 7042)
Flammability rating according to UL 94	V0
Insulating material group	I
Insulating material	PA
Static insulating material application in cold	-60 °C
Temperature index of insulation material (DIN EN 60216-1 (VDE 0304-21))	130 °C
Relative insulation material temperature index (Elec., UL 746 B)	130 °C
Fire protection for rail vehicles (DIN EN 45545-2) R22	HL 1 - HL 3
Fire protection for rail vehicles (DIN EN 45545-2) R23	HL 1 - HL 3
Fire protection for rail vehicles (DIN EN 45545-2) R24	HL 1 - HL 3
Fire protection for rail vehicles (DIN EN 45545-2) R26	HL 1 - HL 3
Calorimetric heat release NFPA 130 (ASTM E 1354)	28 MJ/kg
Surface flammability NFPA 130 (ASTM E 162)	passed
Specific optical density of smoke NFPA 130 (ASTM E 662)	passed
Smoke gas toxicity NFPA 130 (SMP 800C)	passed

Electrical tests

Surge voltage test

Test voltage setpoint	7.3 kV
Result	Test passed

Temperature-rise test

RTO 5-T - Test disconnect terminal block



3049233

<https://www.phoenixcontact.com/us/products/3049233>

Requirement temperature-rise test	Increase in temperature ≤ 45 K
Result	Test passed
Short-time withstand current 6 mm ²	0.72 kA
Result	Test passed

Power-frequency withstand voltage

Test voltage setpoint	1.89 kV
Result	Test passed

Mechanical properties

Mechanical data

Open side panel	Yes
-----------------	-----

Mechanical tests

Mechanical strength

Result	Test passed
--------	-------------

Attachment on the carrier

DIN rail/fixing support	NS 35
Test force setpoint	5 N
Result	Test passed

Environmental and real-life conditions

Needle-flame test

Time of exposure	30 s
Result	Test passed

Oscillation/broadband noise

Specification	DIN EN 50155 (VDE 0115-200):2008-03
Spectrum	Long life test category 1, class B, body mounted
Frequency	$f_1 = 5$ Hz to $f_2 = 150$ Hz
ASD level	1.857 (m/s ²) ² /Hz
Acceleration	0.8g
Test duration per axis	5 h
Test directions	X-, Y- and Z-axis
Result	Test passed

Shocks

Specification	DIN EN 50155 (VDE 0115-200):2008-03
Pulse shape	Half-sine
Acceleration	5g
Shock duration	30 ms
Number of shocks per direction	3
Test directions	X-, Y- and Z-axis (pos. and neg.)
Result	Test passed

RTO 5-T - Test disconnect terminal block



3049233

<https://www.phoenixcontact.com/us/products/3049233>

Ambient conditions

Ambient temperature (operation)	-60 °C ... 110 °C (Operating temperature range incl. self-heating; for max. short-term operating temperature, see RTI Elec.)
Ambient temperature (storage/transport)	-25 °C ... 60 °C (for a short time, not exceeding 24 h, -60 °C to +70 °C)
Ambient temperature (assembly)	-5 °C ... 70 °C
Ambient temperature (actuation)	-5 °C ... 70 °C
Permissible humidity (operation)	20 % ... 90 %
Permissible humidity (storage/transport)	30 % ... 70 %

Standards and regulations

Connection in acc. with standard	IEC 60947-7-1
----------------------------------	---------------

Mounting

Mounting type	NS 35/7,5
	NS 35/15
Screw thread	M4

RTO 5-T - Test disconnect terminal block

3049233

<https://www.phoenixcontact.com/us/products/3049233>

Drawings

Connection diagram



Simple current transformer test circuit

a = normal operation

b = measured value testing

c = transformer testing

d = relay testing

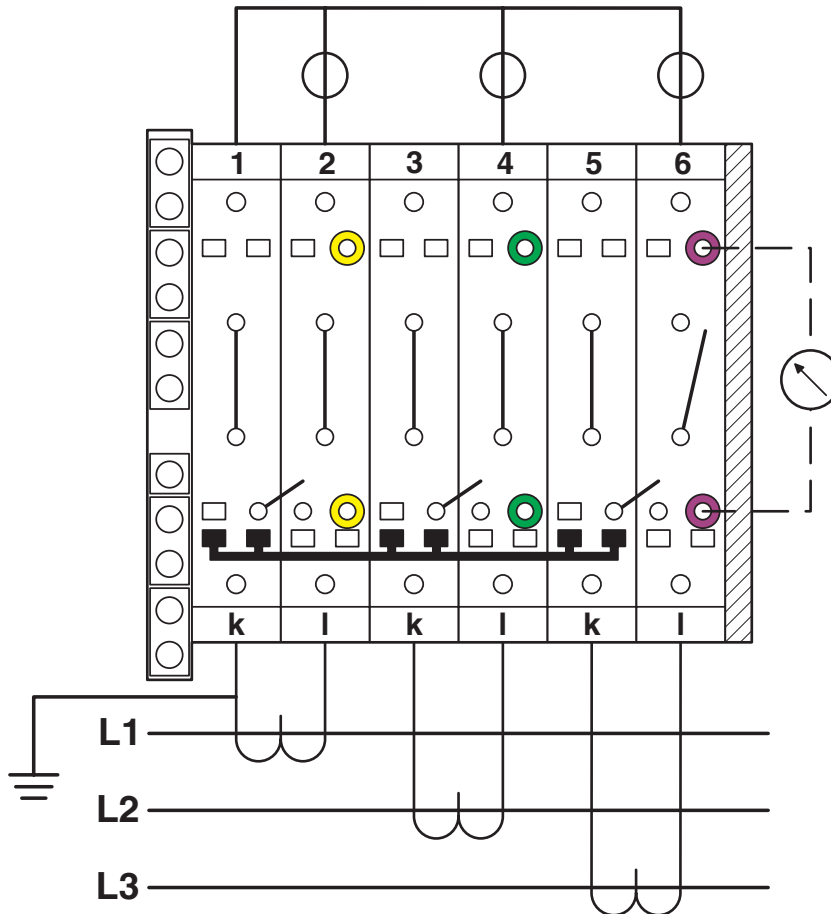
RTO 5-T - Test disconnect terminal block

3049233

<https://www.phoenixcontact.com/us/products/3049233>



Connection diagram



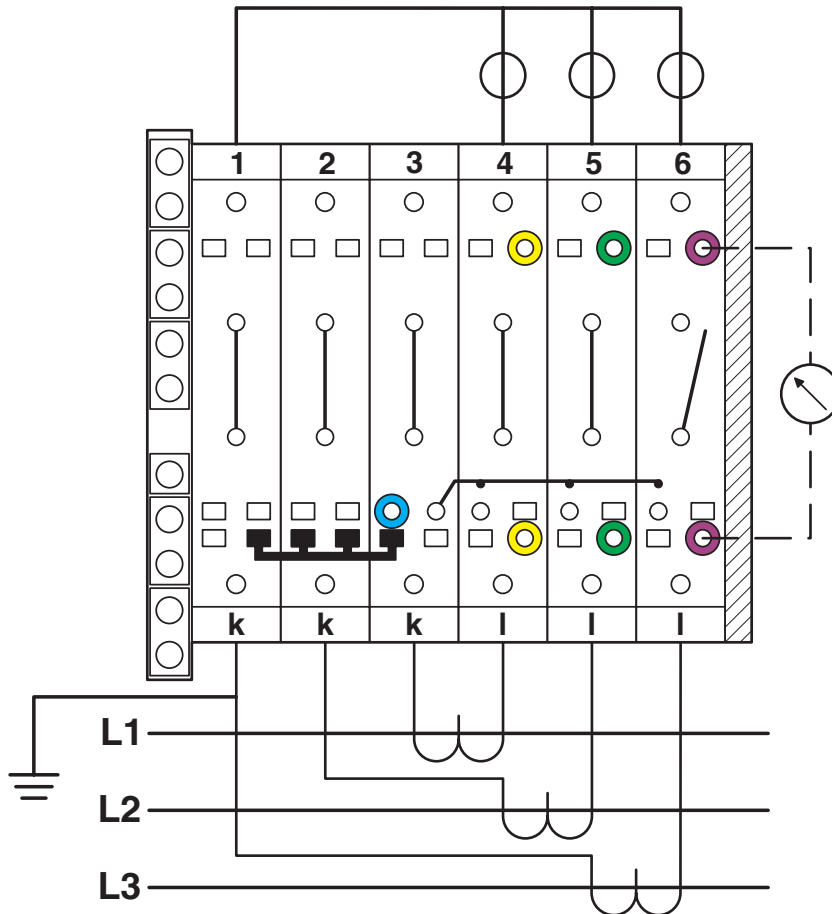
Three-phase transducer test set

RTO 5-T - Test disconnect terminal block

3049233

<https://www.phoenixcontact.com/us/products/3049233>

Connection diagram



Three-phase linked transducer test set

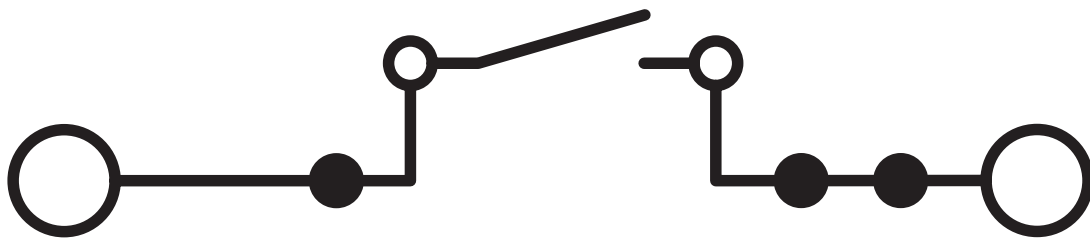
RTO 5-T - Test disconnect terminal block



3049233

<https://www.phoenixcontact.com/us/products/3049233>

Circuit diagram



RTO 5-T - Test disconnect terminal block



3049233

<https://www.phoenixcontact.com/us/products/3049233>

Approvals

To download certificates, visit the product detail page: <https://www.phoenixcontact.com/us/products/3049233>



EAC

Approval ID: RU C-DE.BL08.B.00540



cULus Recognized

Approval ID: E60425

	Nominal voltage U_N	Nominal current I_N	Cross section AWG	Cross section mm^2
B				
	600 V	30 A	-	-
C				
	600 V	30 A	-	-

RTO 5-T - Test disconnect terminal block



3049233

<https://www.phoenixcontact.com/us/products/3049233>

Classifications

ECLASS

ECLASS-13.0	27250101
ECLASS-15.0	27250101

ETIM

ETIM 10.0	EC000897
-----------	----------

UNSPSC

UNSPSC 21.0	39121400
-------------	----------

RTO 5-T - Test disconnect terminal block



3049233

<https://www.phoenixcontact.com/us/products/3049233>

Environmental product compliance

EU RoHS

Fulfills EU RoHS substance requirements	Yes, No exemptions
---	--------------------

China RoHS

Environment friendly use period (EFUP)	EFUP-E
	No hazardous substances above the limits

EU REACH SVHC

REACH candidate substance (CAS No.)	No substance above 0.1 wt%
-------------------------------------	----------------------------

Phoenix Contact 2026 © - all rights reserved
<https://www.phoenixcontact.com>

Phoenix Contact USA
586 Fulling Mill Road
Middletown, PA 17057, United States
(+717) 944-1300
info@phoenixcon.com