

# AB-SK 65-D INSULATED - Support bracket



3040889

<https://www.phoenixcontact.com/us/products/3040889>

Please be informed that the data shown in this PDF document is generated from our online catalog. Please find the complete data in the user documentation. Our general terms of use for downloads are valid.

Support bracket, Bracket for busbars, set every 20 cm, width: 8.2 mm, height: 150 mm, number of positions: 2, color: gray, mounting type: DIN rail mounting



## Your advantages

- The double shield supports are particularly suitable for space-saving conductor connection for terminal blocks and devices with lateral cable entry
- For mounting SK shield connection clamps

## Commercial data

Item number	3040889
Packing unit	10 pc
Minimum order quantity	10 pc
Sales key	BE07
Product key	BE7113
GTIN	4017918903589
Weight per piece (including packing)	18.8 g
Weight per piece (excluding packing)	18.27 g
Customs tariff number	85389099
Country of origin	PL

# AB-SK 65-D INSULATED - Support bracket

3040889

<https://www.phoenixcontact.com/us/products/3040889>

## Technical data

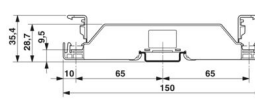
### Product properties

Product type	Support bracket
Number of positions	2

### Electrical properties

Nominal current $I_N$	0 A
-----------------------	-----

### Dimensions

Dimensional drawing	
Width	8.2 mm
Height	150 mm
Depth on NS 35/7,5	28.7 mm
Depth on NS 35/15	36.2 mm

### Material specifications

Color	gray (RAL 7042)
Material	PA
Flammability rating according to UL 94	V0
Insulating material	PA

### Environmental and real-life conditions

#### Ambient conditions

Ambient temperature (operation)	-60 °C ... 105 °C (max. short-term operating temperature RTI Elec.)
Ambient temperature (storage/transport)	-25 °C ... 60 °C (for a short time, not exceeding 24 h, -60 °C to +70 °C)
Ambient temperature (assembly)	-5 °C ... 70 °C
Ambient temperature (actuation)	-5 °C ... 70 °C
Permissible humidity (storage/transport)	30 % ... 70 %

### Mounting

Mounting type	DIN rail mounting
---------------	-------------------

# AB-SK 65-D INSULATED - Support bracket

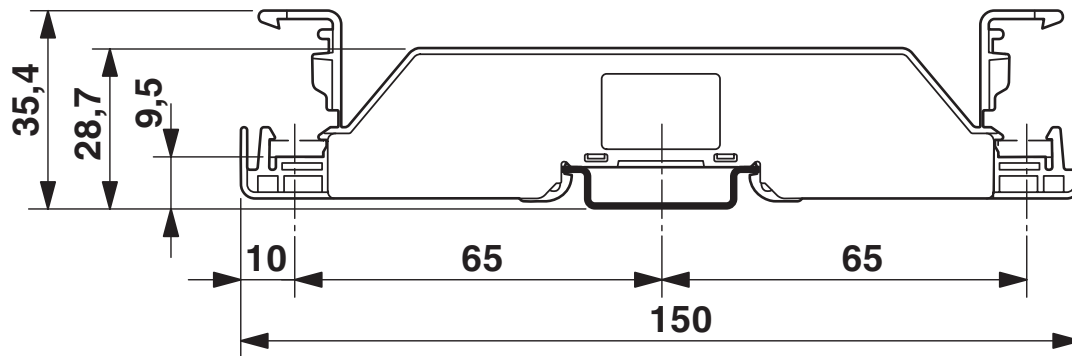


3040889

<https://www.phoenixcontact.com/us/products/3040889>

## Drawings

Dimensional drawing



# AB-SK 65-D INSULATED - Support bracket



3040889

<https://www.phoenixcontact.com/us/products/3040889>

## Classifications

### ECLASS

ECLASS-13.0	27400607
ECLASS-15.0	27400607

### ETIM

ETIM 10.0	EC001166
-----------	----------

### UNSPSC

UNSPSC 21.0	39121700
-------------	----------

# AB-SK 65-D INSULATED - Support bracket



3040889

<https://www.phoenixcontact.com/us/products/3040889>

## Environmental product compliance

### EU RoHS

Fulfills EU RoHS substance requirements	Yes, No exemptions
---	--------------------

### China RoHS

Environment friendly use period (EFUP)	EFUP-E
	No hazardous substances above the limits

### EU REACH SVHC

REACH candidate substance (CAS No.)	No substance above 0.1 wt%
-------------------------------------	----------------------------

### EF3.1 Climate Change

CO2e kg	0.102 kg CO2e
---------	---------------

Phoenix Contact 2026 © - all rights reserved  
<https://www.phoenixcontact.com>

Phoenix Contact USA  
586 Fulling Mill Road  
Middletown, PA 17057, United States  
(+717) 944-1300  
[info@phoenixcon.com](mailto:info@phoenixcon.com)