

# DP PS-6 - Spacer plate

3036738

<https://www.phoenixcontact.com/us/products/3036738>

Please be informed that the data shown in this PDF document is generated from our online catalog. Please find the complete data in the user documentation. Our general terms of use for downloads are valid.

Spacer plate, depth: 29 mm, width: 6.2 mm, height: 22.4 mm, number of positions: 1, color: red



## Commercial data

Item number	3036738
Packing unit	10 pc
Minimum order quantity	10 pc
Sales key	BE29
Product key	BE2Z3X
GTIN	4017918818982
Weight per piece (including packing)	1.752 g
Weight per piece (excluding packing)	1.5 g
Customs tariff number	39269097
Country of origin	PL

# DP PS-6 - Spacer plate

3036738

<https://www.phoenixcontact.com/us/products/3036738>

## Technical data

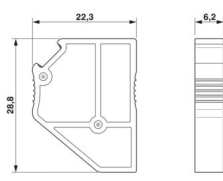
### Product properties

Product type	Partition plate
Number of positions	1

### Material specifications

Color	red (RAL 3001)
Material	PA
Flammability rating according to UL 94	V0
Static insulating material application in cold	-60 °C
Relative insulation material temperature index (Elec., UL 746 B)	125 °C

### Dimensions

Dimensional drawing	
Width	6.2 mm
Height	22.4 mm
Depth	29 mm

### Environmental and real-life conditions

#### Ambient conditions

Ambient temperature (operation)	-60 °C ... 110 °C (Operating temperature range incl. self-heating; for max. short-term operating temperature, see RTI Elec.)
Ambient temperature (storage/transport)	-25 °C ... 60 °C (for a short time, not exceeding 24 h, -60 °C to +70 °C)
Ambient temperature (assembly)	-5 °C ... 70 °C
Ambient temperature (actuation)	-5 °C ... 70 °C ( )
Permissible humidity (operation)	20 % ... 90 %
Permissible humidity (storage/transport)	30 % ... 70 %

# DP PS-6 - Spacer plate

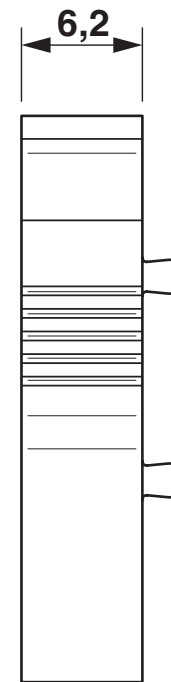
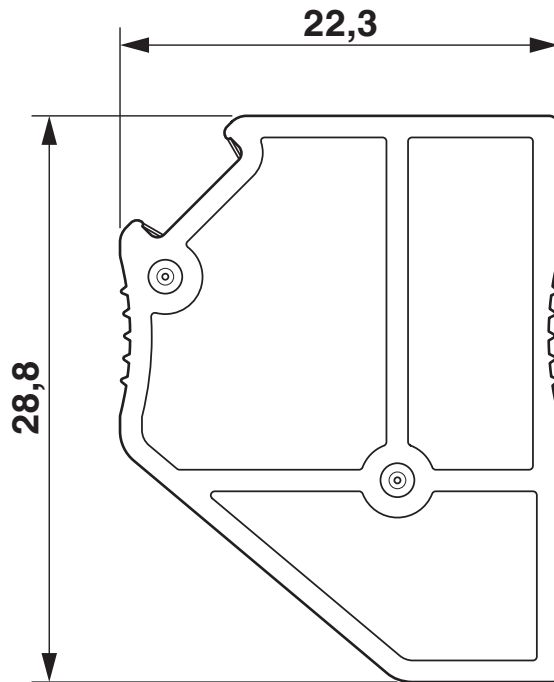
3036738

<https://www.phoenixcontact.com/us/products/3036738>



## Drawings

Dimensional drawing



# DP PS-6 - Spacer plate



3036738

<https://www.phoenixcontact.com/us/products/3036738>

## Classifications

### ECLASS

ECLASS-13.0	27250301
ECLASS-15.0	27250301

### ETIM

ETIM 10.0	EC000886
-----------	----------

### UNSPSC

UNSPSC 21.0	39121400
-------------	----------

# DP PS-6 - Spacer plate



3036738

<https://www.phoenixcontact.com/us/products/3036738>

## Environmental product compliance

### EU RoHS

Fulfills EU RoHS substance requirements	Yes, No exemptions
---	--------------------

### China RoHS

Environment friendly use period (EFUP)	EFUP-E
	No hazardous substances above the limits

### EU REACH SVHC

REACH candidate substance (CAS No.)	No substance above 0.1 wt%
-------------------------------------	----------------------------

### EF3.1 Climate Change

CO2e kg	0.023 kg CO2e
---------	---------------

Phoenix Contact 2026 © - all rights reserved  
<https://www.phoenixcontact.com>

Phoenix Contact USA  
586 Fulling Mill Road  
Middletown, PA 17057, United States  
(+717) 944-1300  
[info@phoenixcon.com](mailto:info@phoenixcon.com)