

DP PS-4 - Spacer plate

3036712

<https://www.phoenixcontact.com/us/products/3036712>

Please be informed that the data shown in this PDF document is generated from our online catalog. Please find the complete data in the user documentation. Our general terms of use for downloads are valid.

Spacer plate, depth: 29 mm, width: 4.2 mm, height: 22.4 mm, number of positions: 1, color: red



Commercial data

Item number	3036712
Packing unit	10 pc
Minimum order quantity	10 pc
Sales key	BE29
Product key	BE2Z3X
GTIN	4017918818968
Weight per piece (including packing)	1.37 g
Weight per piece (excluding packing)	1.2 g
Customs tariff number	39269097
Country of origin	PL

DP PS-4 - Spacer plate

3036712

<https://www.phoenixcontact.com/us/products/3036712>

Technical data

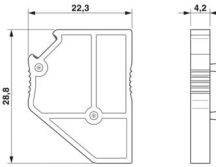
Product properties

Product type	Partition plate
Number of positions	1

Material specifications

Color	red (RAL 3001)
Material	PA
Flammability rating according to UL 94	V0

Dimensions

Dimensional drawing	
Width	4.2 mm
Height	22.4 mm
Depth	29 mm

Environmental and real-life conditions

Ambient conditions

Ambient temperature (operation)	-60 °C ... 110 °C (Operating temperature range incl. self-heating; for max. short-term operating temperature, see RTI Elec.)
Ambient temperature (storage/transport)	-25 °C ... 60 °C (for a short time, not exceeding 24 h, -60 °C to +70 °C)
Ambient temperature (assembly)	-5 °C ... 70 °C
Ambient temperature (actuation)	-5 °C ... 70 °C
Permissible humidity (operation)	20 % ... 90 %
Permissible humidity (storage/transport)	30 % ... 70 %

DP PS-4 - Spacer plate

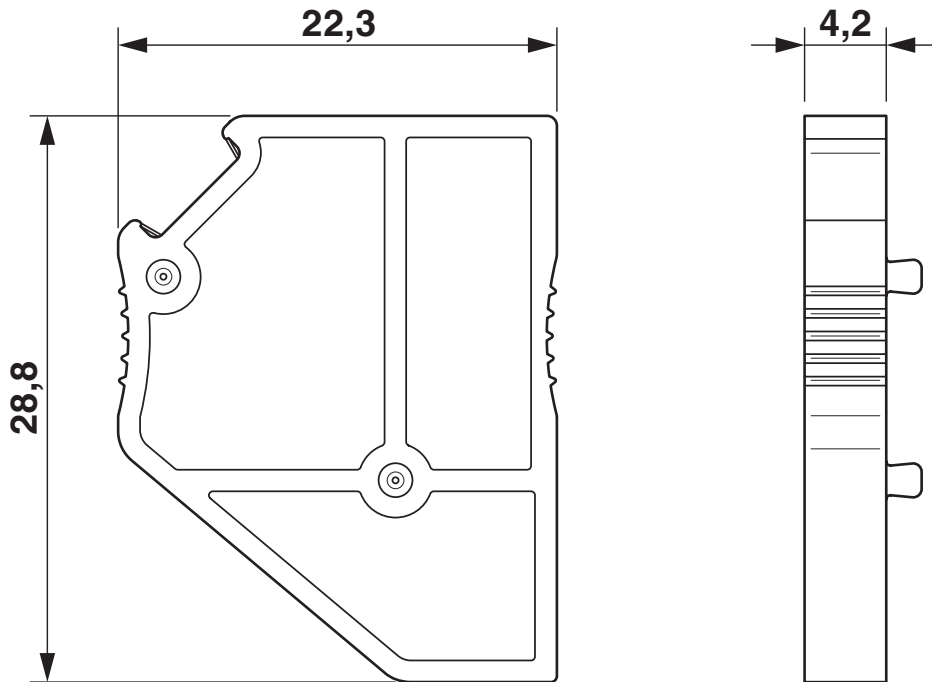
3036712

<https://www.phoenixcontact.com/us/products/3036712>



Drawings

Dimensional drawing



DP PS-4 - Spacer plate



3036712

<https://www.phoenixcontact.com/us/products/3036712>

Classifications

ECLASS

ECLASS-13.0	27250301
ECLASS-15.0	27250301

ETIM

ETIM 10.0	EC000886
-----------	----------

UNSPSC

UNSPSC 21.0	39121400
-------------	----------

DP PS-4 - Spacer plate



3036712

<https://www.phoenixcontact.com/us/products/3036712>

Environmental product compliance

EU RoHS

Fulfills EU RoHS substance requirements	Yes, No exemptions
---	--------------------

China RoHS

Environment friendly use period (EFUP)	EFUP-E
	No hazardous substances above the limits

EU REACH SVHC

REACH candidate substance (CAS No.)	No substance above 0.1 wt%
-------------------------------------	----------------------------

EF3.1 Climate Change

CO2e kg	0.02 kg CO2e
---------	--------------

Phoenix Contact 2026 © - all rights reserved
<https://www.phoenixcontact.com>

Phoenix Contact USA
586 Fulling Mill Road
Middletown, PA 17057, United States
(+717) 944-1300
info@phoenixcon.com